

HOW TO: Cam Bolt and Cam Lock

IMAGES ARE FOR REFERENCE ONLY.

Cam Bolt



Cam Lock



Note:



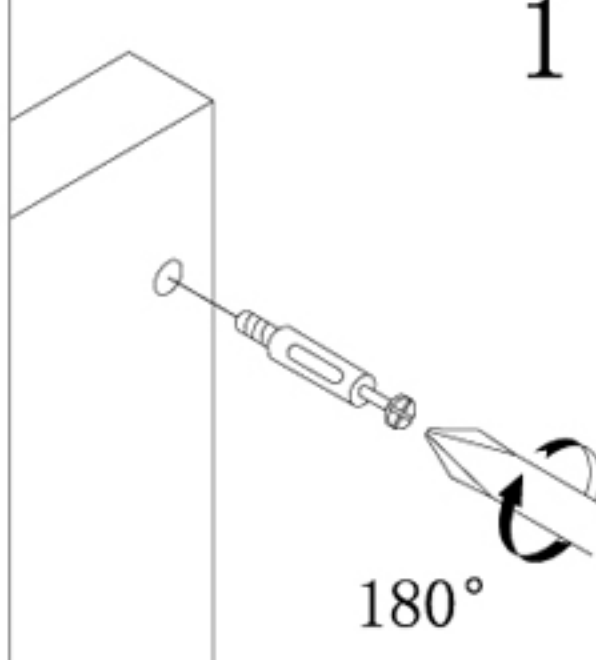
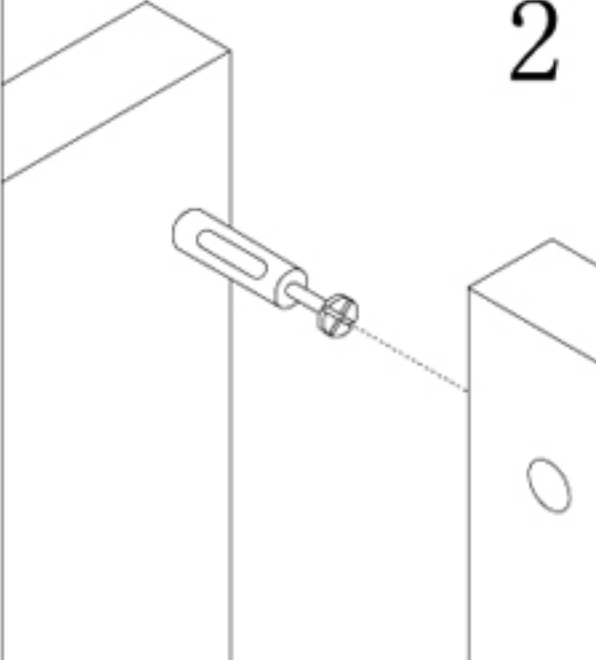
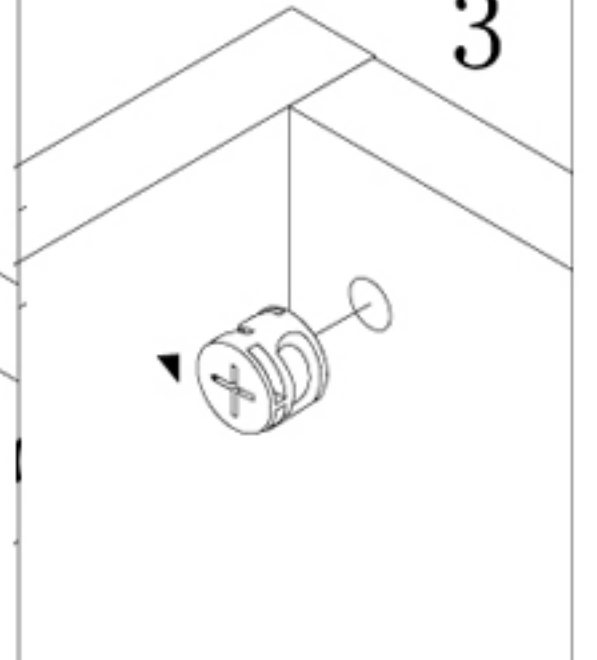
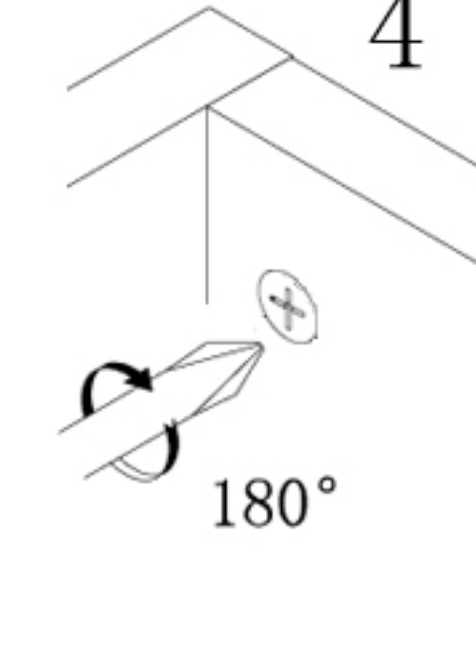


Larger Cam Bolt must be installed into a White Plastic Threading.



Smaller Cam Bolt can be installed directly into wood panel.

HOW TO: Cam Bolt and Cam Lock

HOW TO	1	2	3	4
 Cam Bolt  Cam Lock	 180°			 180°
	1. Screw cam bolt into panel.	2. Insert Cam Bolt into bolt hole.	3. Insert Cam Lock into cam hole.	4. Turn Cam Lock clockwise to lock.