

ASSEMBLY INSTRUCTION

PLEASE READ BEFORE ASSEMBLING!

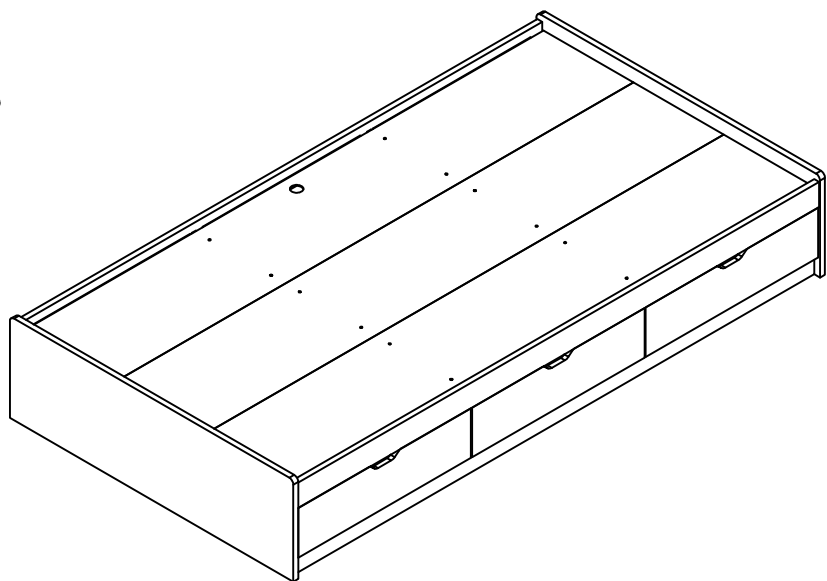
Tip #1: Make sure you've taken all the pieces and hardware out of its packaging before discarding the box. Assembly on top of flattened box/blanket is recommended.

Tip #2: Using page 2 and/or page 3 of instruction manual make sure all pieces and hardware are accounted for.

Tip #3: Note position of all holes on each panel during assembly.

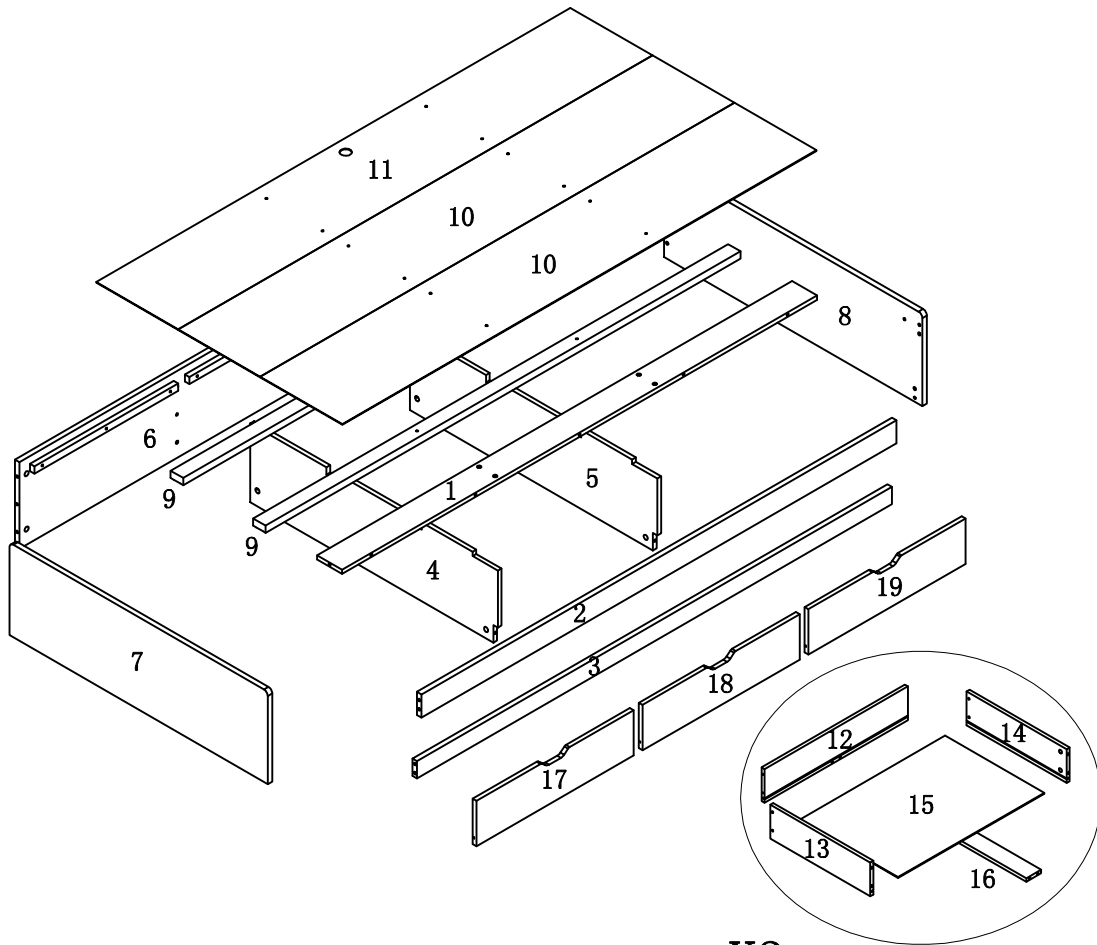
ITEM#: Y1102T Y1402T Y1502T
Y2102T Y2202T Y4302T

Need some help?
Scan here for
assembly video.



PARTS IDENTIFICATION

ITEM#: Y1102T Y1402T Y1502T
Y2102T Y2202T Y4302T



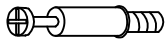

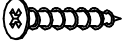







X3

(1)	1pc	(8)	1pc	(15)	3pcs
(2)	1pc	(9)	2pcs	(16)	3pcs
(3)	1pc	(10)	2pcs	(17)	1pc
(4)	1pc	(11)	1pc	(18)	1pc
(5)	1pc	(12)	3pcs	(19)	1pc
(6)	1pc	(13)	3pcs		
(7)	1pc	(14)	3pcs		

HARDWARE IDENTIFICATION

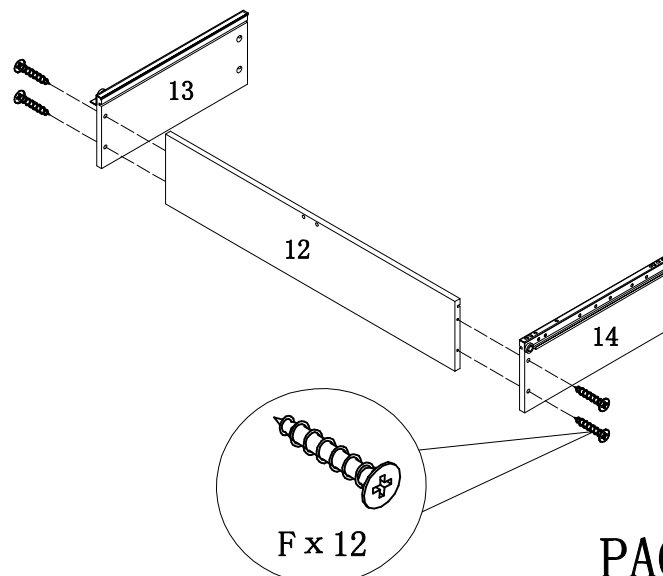
ITEM#: Y1102T Y1402T Y1502T
Y2102T Y2202T Y4302T

A		L29	17pcs
B		ø15	17pcs
C		L20	12pcs
D		ø12	12pcs
E		ø4 x 20	12pcs
F		ø4 x 30	22pcs
G		Glue: For securing please apply to wood dowel first before inserting into panel	1pc
H		ø8 x 25	12pcs
I		ø6 x 30	6pcs
J		ø16	20pcs

ASSEMBLY INSTRUCTION

ITEM#: Y1102T Y1402T Y1502T

x3



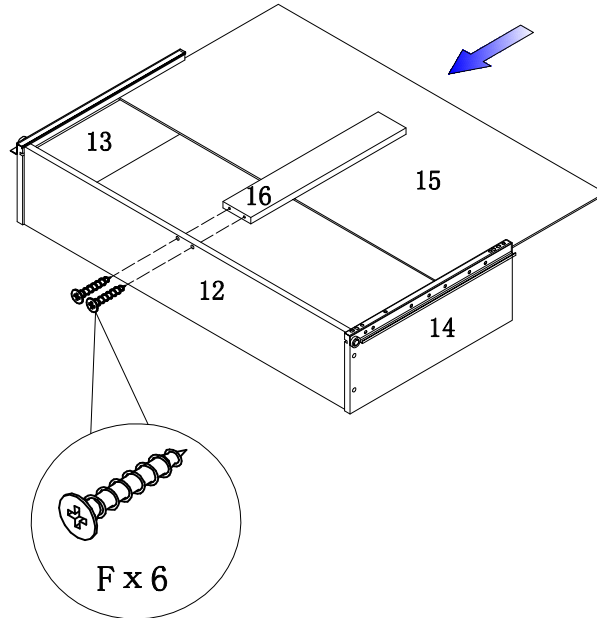
STEP1

PAGE 3 OF 10

ASSEMBLY INSTRUCTION

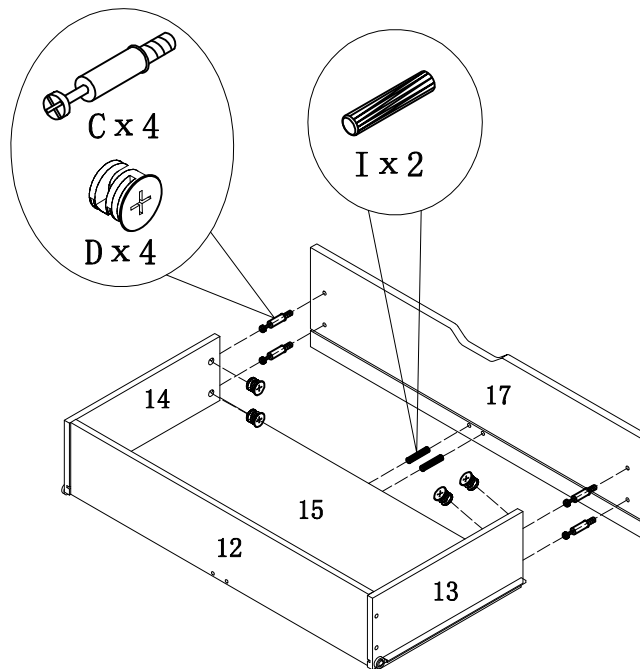
ITEM#: Y1102T Y1402T Y1502T
Y2102T Y2202T Y4302T

x3



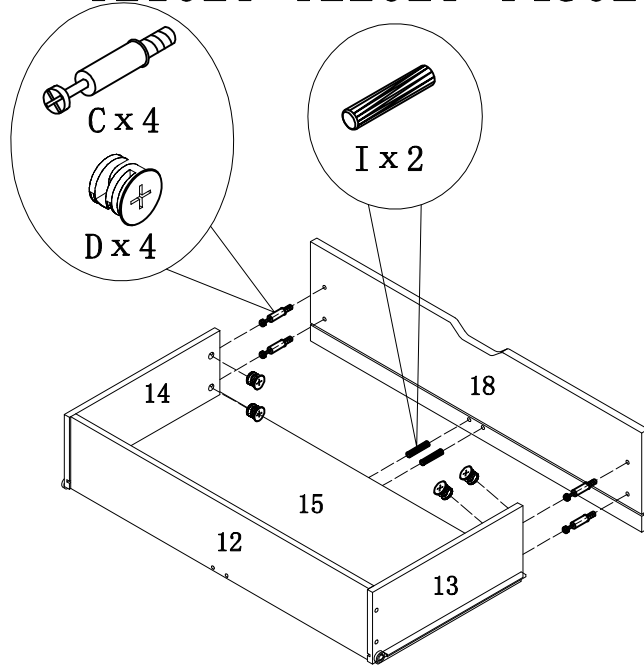
STEP2

STEP3



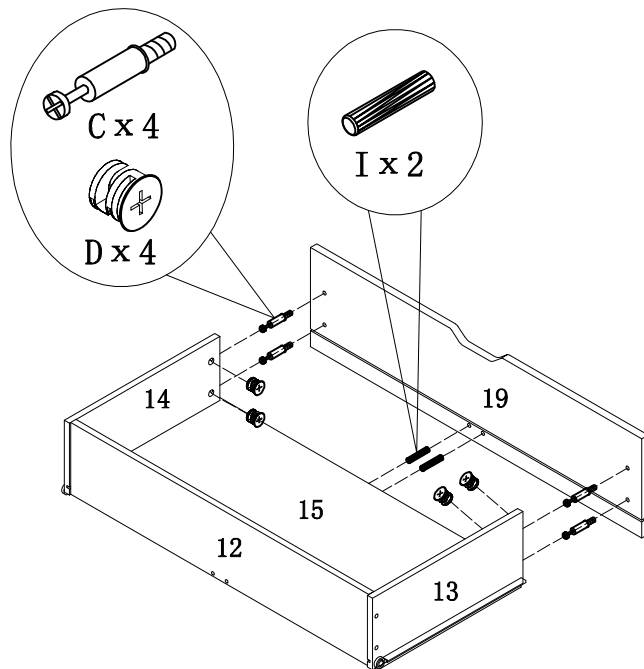
ASSEMBLY INSTRUCTION

ITEM#: Y1102T Y1402T Y1502T
Y2102T Y2202T Y4302T



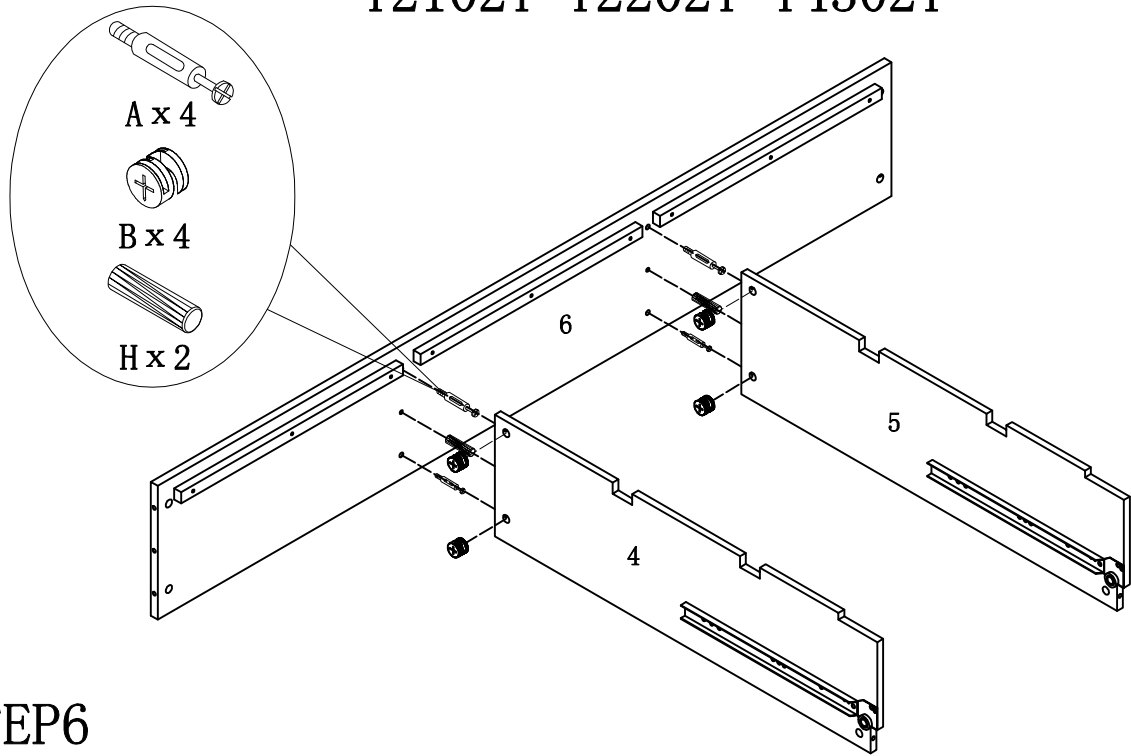
STEP4

STEP5



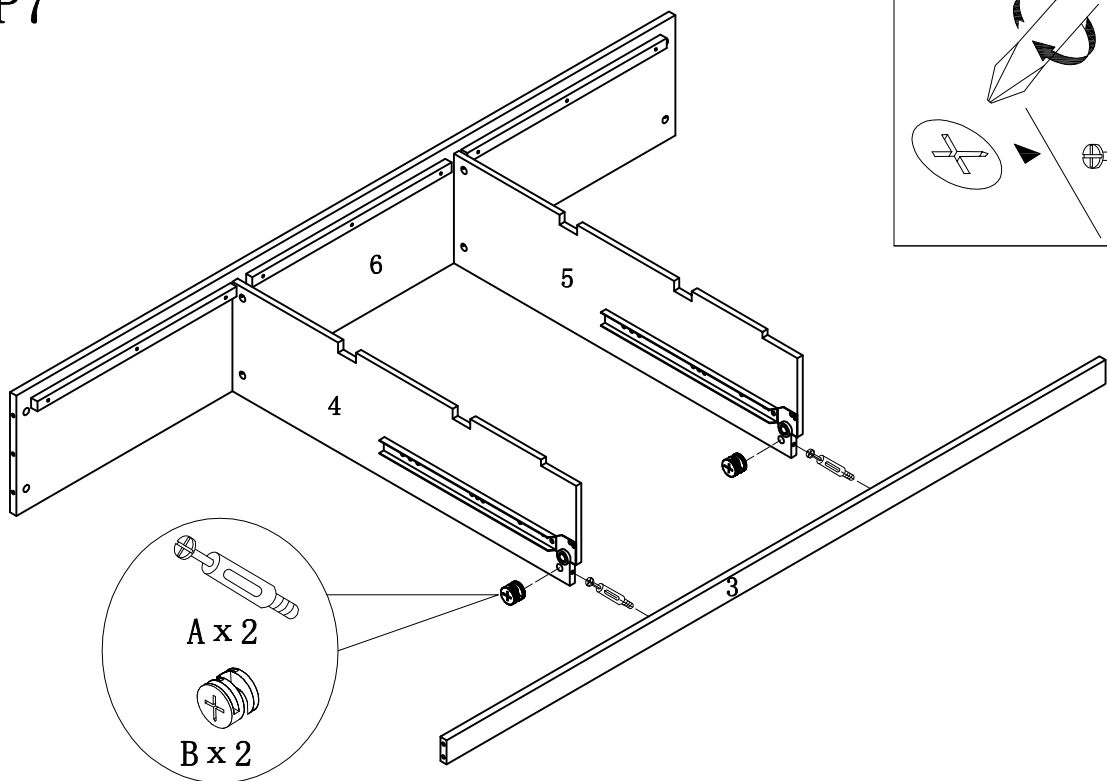
ASSEMBLY INSTRUCTION

ITEM#: Y1102T Y1402T Y1502T
Y2102T Y2202T Y4302T



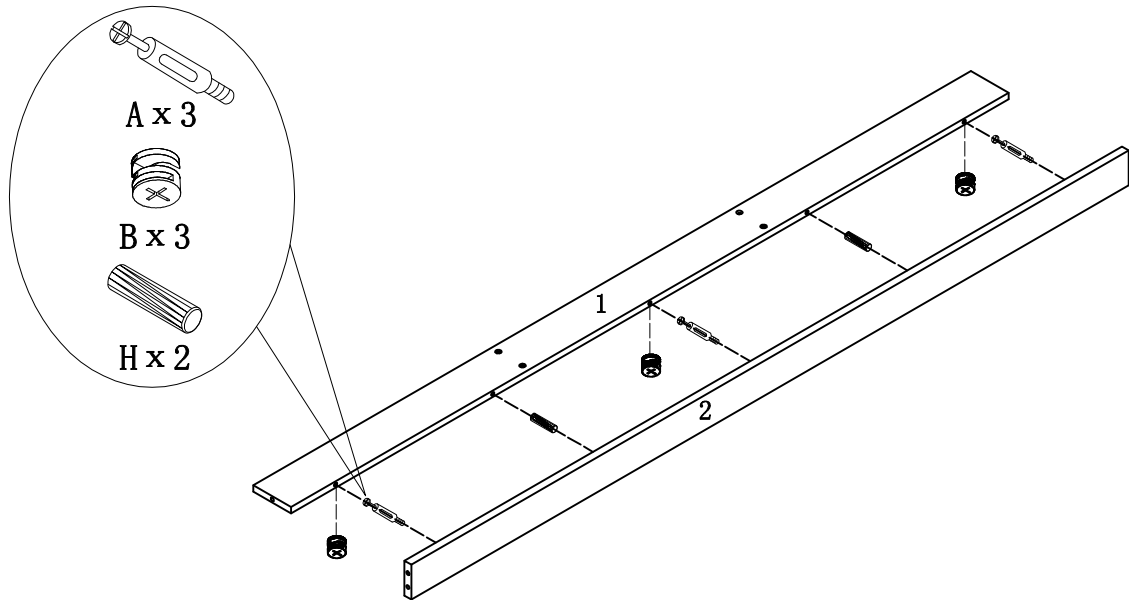
STEP6

STEP7



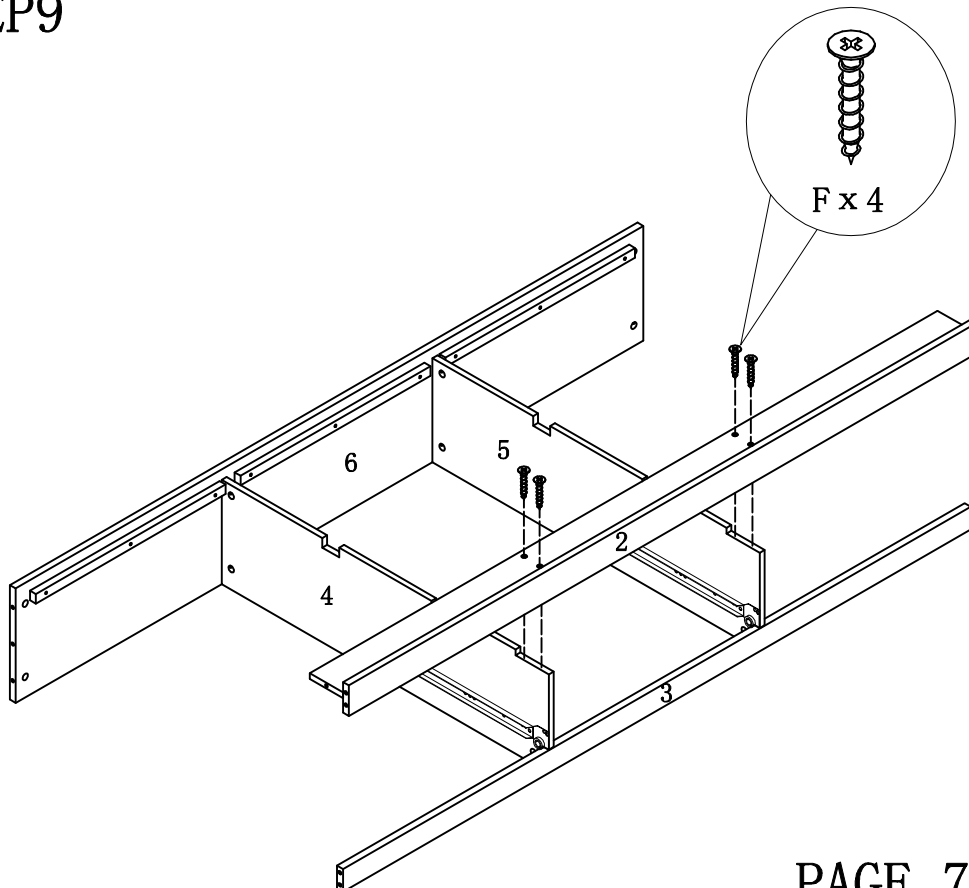
ASSEMBLY INSTRUCTION

ITEM#: Y1102T Y1402T Y1502T
Y2102T Y2202T Y4302T



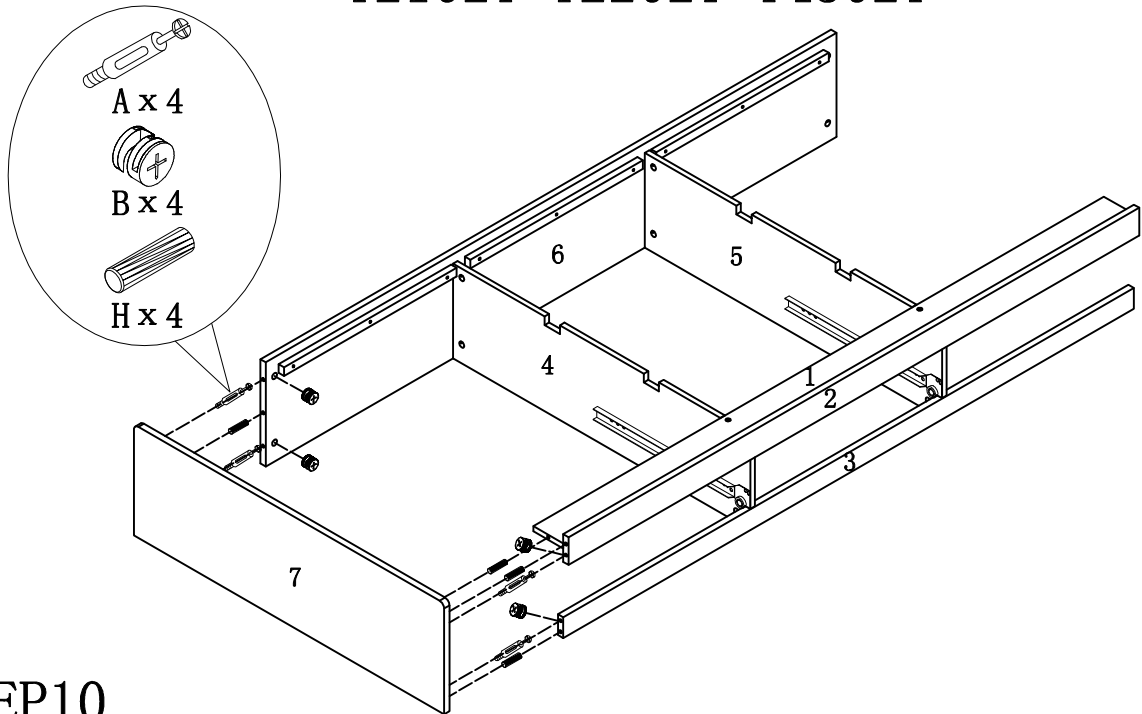
STEP8

STEP9



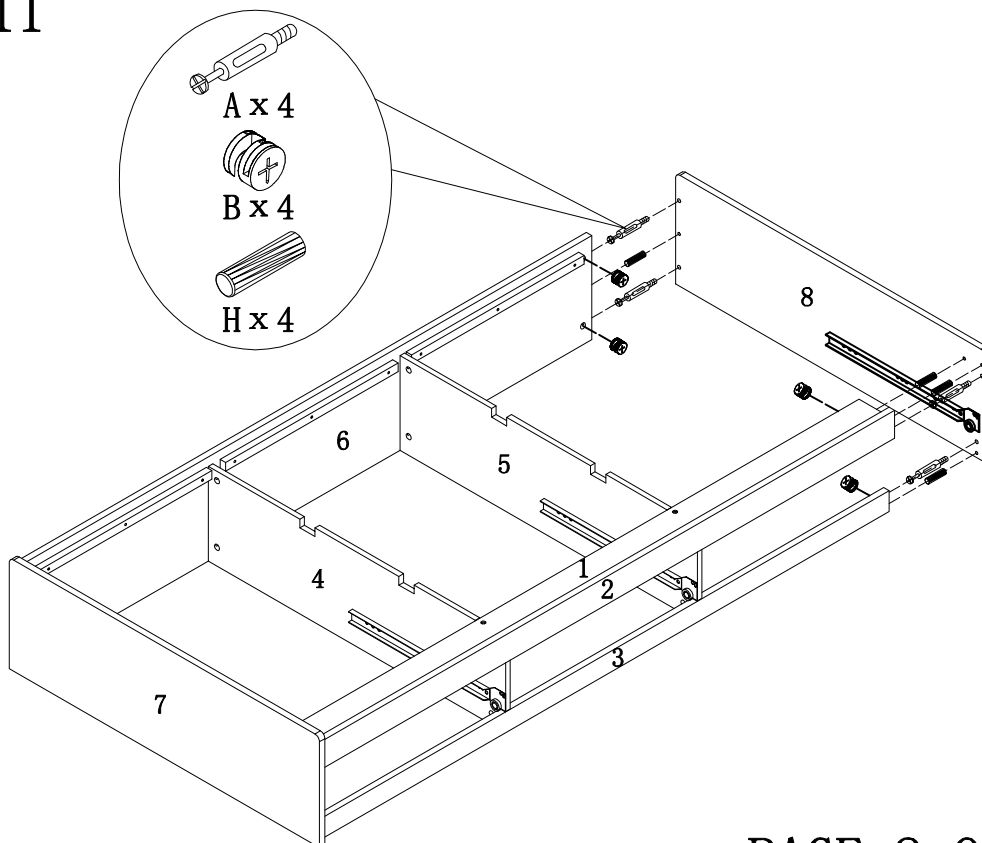
ASSEMBLY INSTRUCTION

ITEM#: Y1102T Y1402T Y1502T
Y2102T Y2202T Y4302T



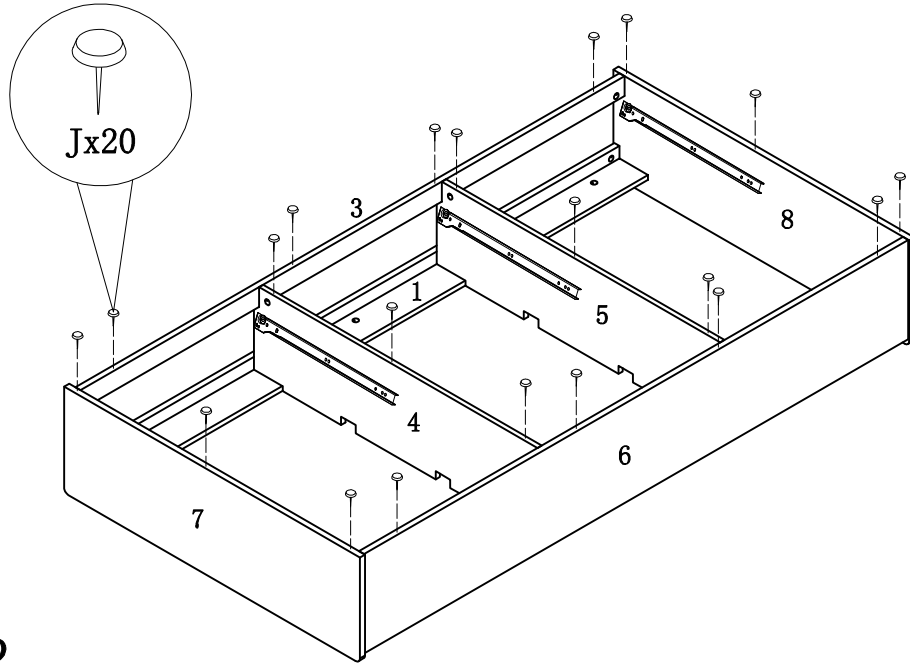
STEP10

STEP11



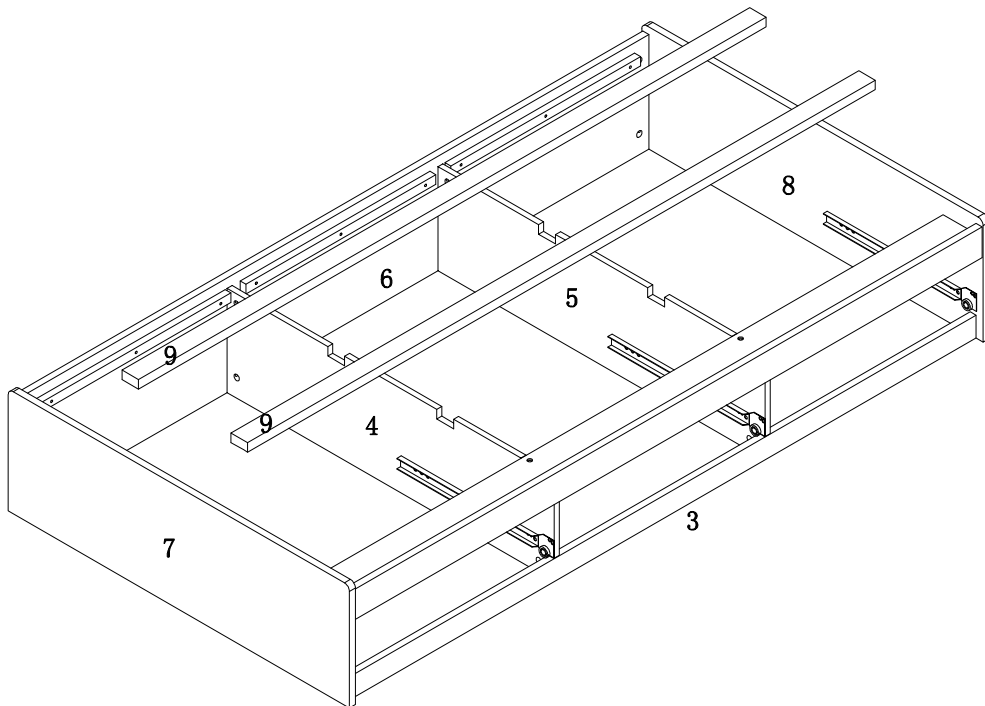
ASSEMBLY INSTRUCTION

ITEM#: Y1102T Y1402T Y1502T
Y2102T Y2202T Y4302T



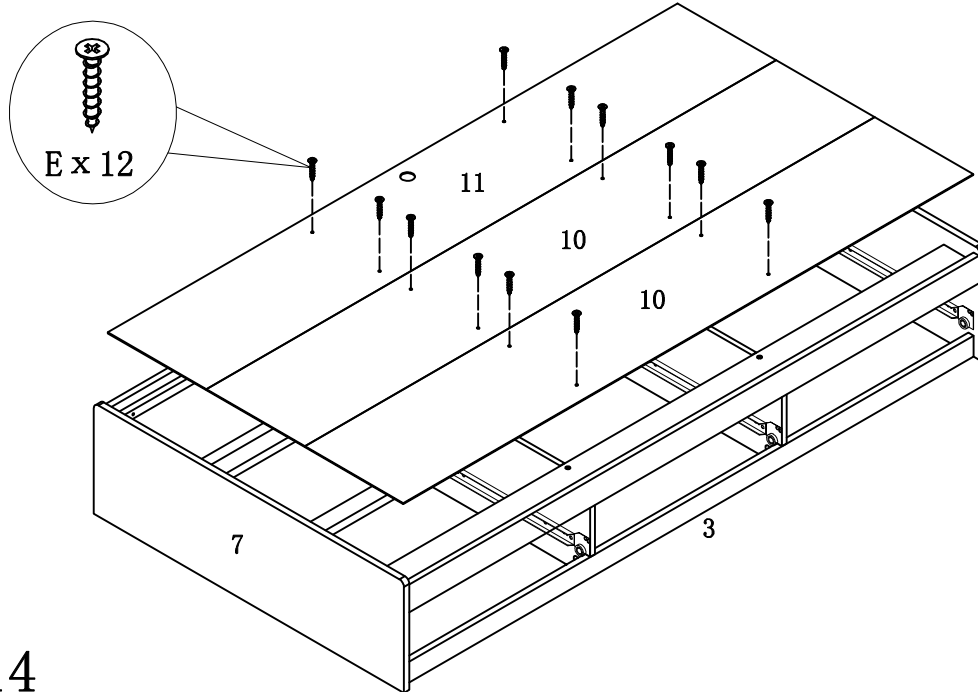
STEP12

STEP13



ASSEMBLY INSTRUCTION

ITEM#: Y1102T Y1402T Y1502T
Y2102T Y2202T Y4302T



STEP 14

STEP 15

