

ASSEMBLY INSTRUCTION

PLEASE READ BEFORE ASSEMBLING!

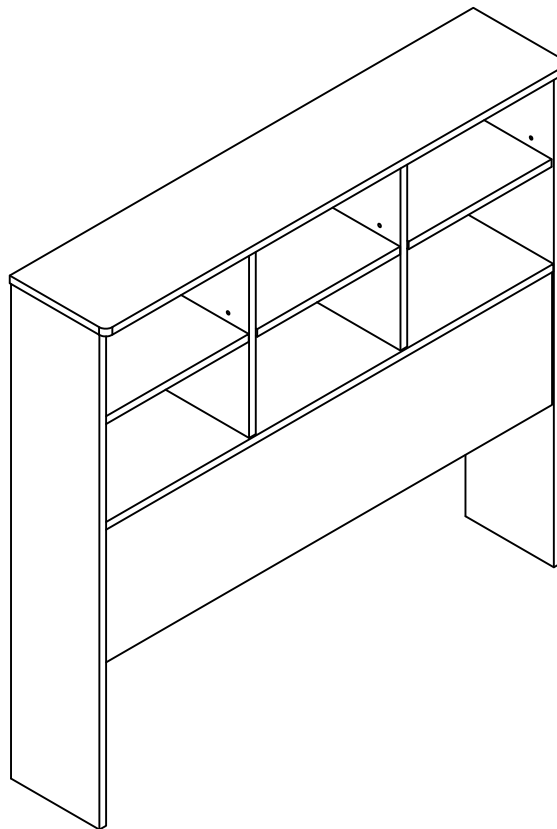
Tip #1: Make sure you've taken all the pieces and hardware out of its packaging before discarding the box. Assembly on top of flattened box/blanket is recommended.

Tip #2: Using page 2 and/or page 3 of instruction manual make sure all pieces and hardware are accounted for.

Tip #3: Note position of all holes on each panel during assembly.

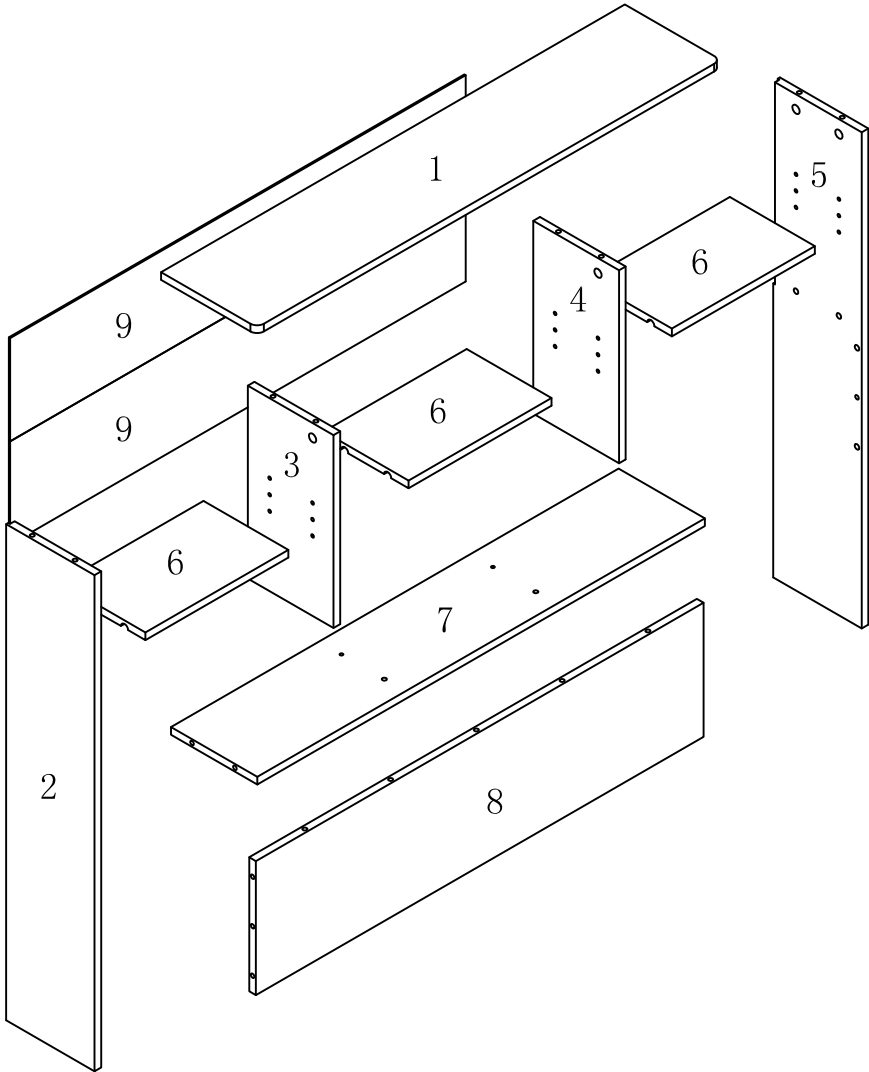
ITEM#: Y1101T Y1401T Y2101T Y2201T Y4301T

Need some help?
Scan here for
assembly video.



PARTS IDENTIFICATION



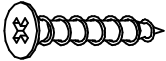
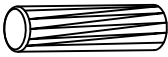
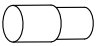


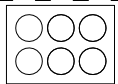

ITEM#: Y1101T Y1401T Y2101T Y2201T Y4301T



(1)	1pc	(6)	3pcs
(2)	1pc	(7)	1pc
(3)	1pc	(8)	1pc
(4)	1pc	(9)	2pcs
(5)	1pc		

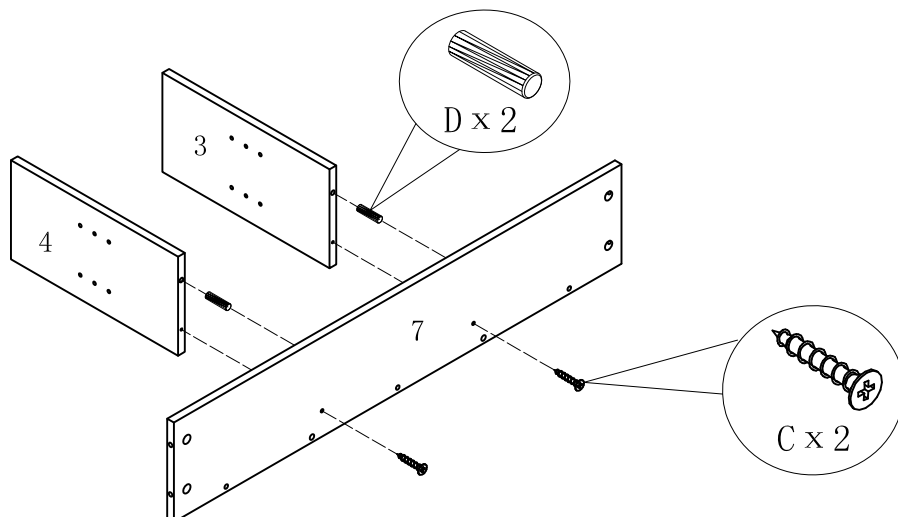
HARDWARE IDENTIFICATION

ITEM#:Y1101T Y1401T Y2101T Y2201T Y4301T

A		L29	16pcs
B		∅15	16pcs
C		∅4 x 35	2pcs
D		∅8 × 25	9pcs
E		∅5 × 15	12pcs
F		Z1016	28pcs
G		∅16	4pcs
H		∅20	6pcs
I		Glue: For securing please apply to wood dowel first before inserting into panel	1pc

ASSEMBLY INSTRUCTION

ITEM#:Y1101T Y1401T Y2101T Y2201T Y4301T

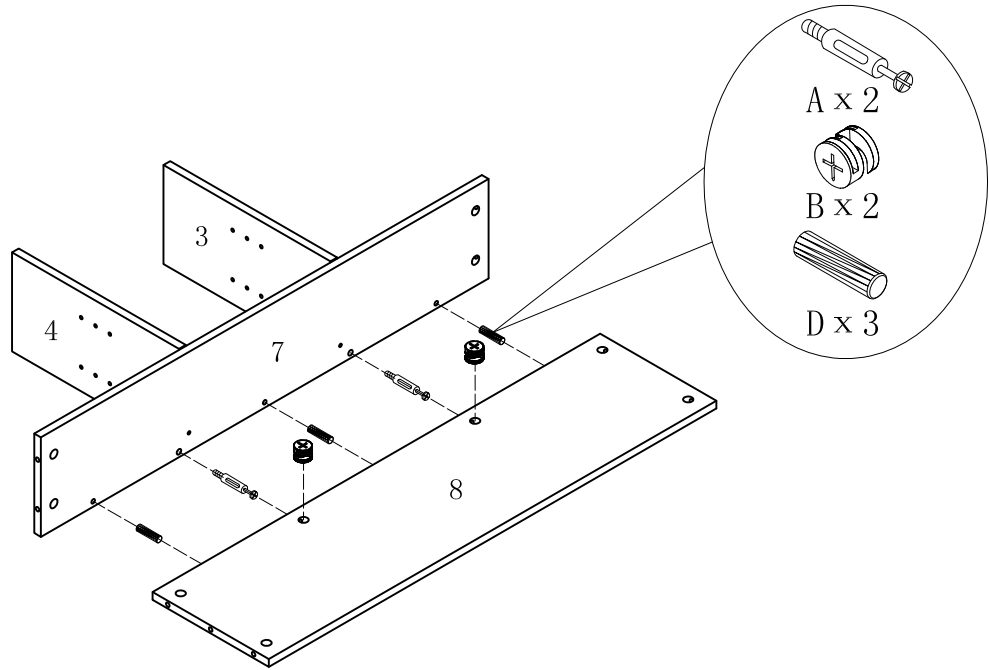


STEP1

PAGE 3 OF 6

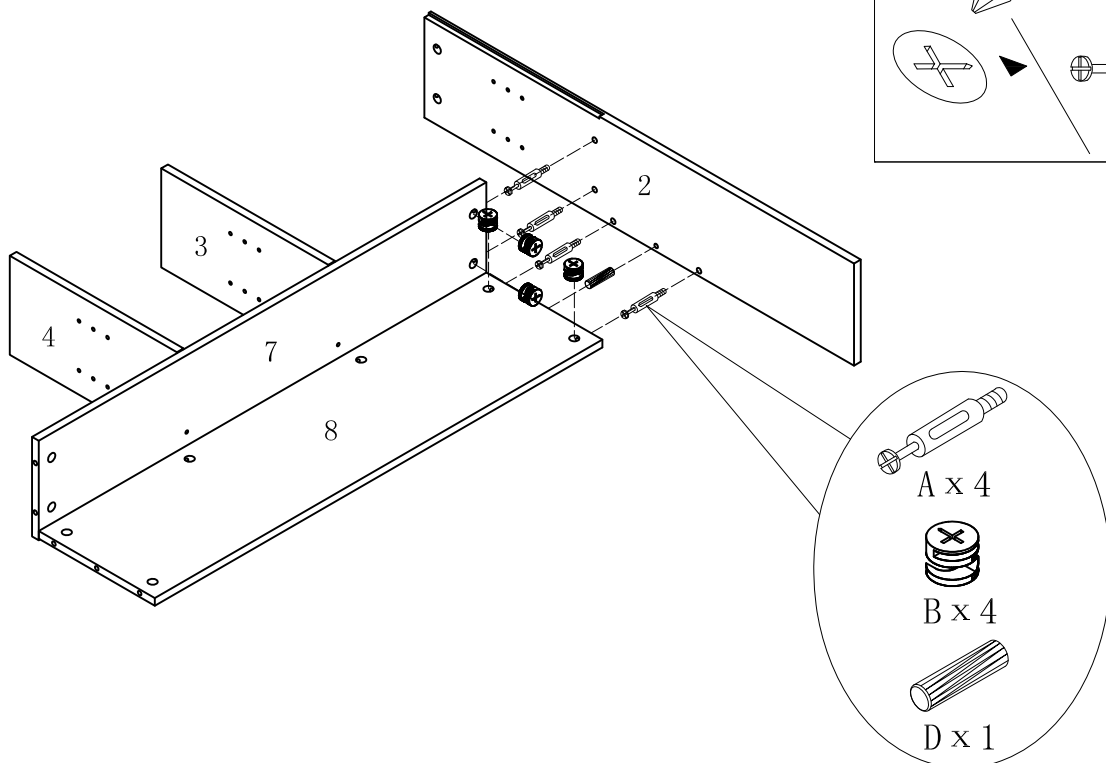
ASSEMBLY INSTRUCTION

ITEM#: Y1101T Y1401T Y2101T Y2201T Y4301T



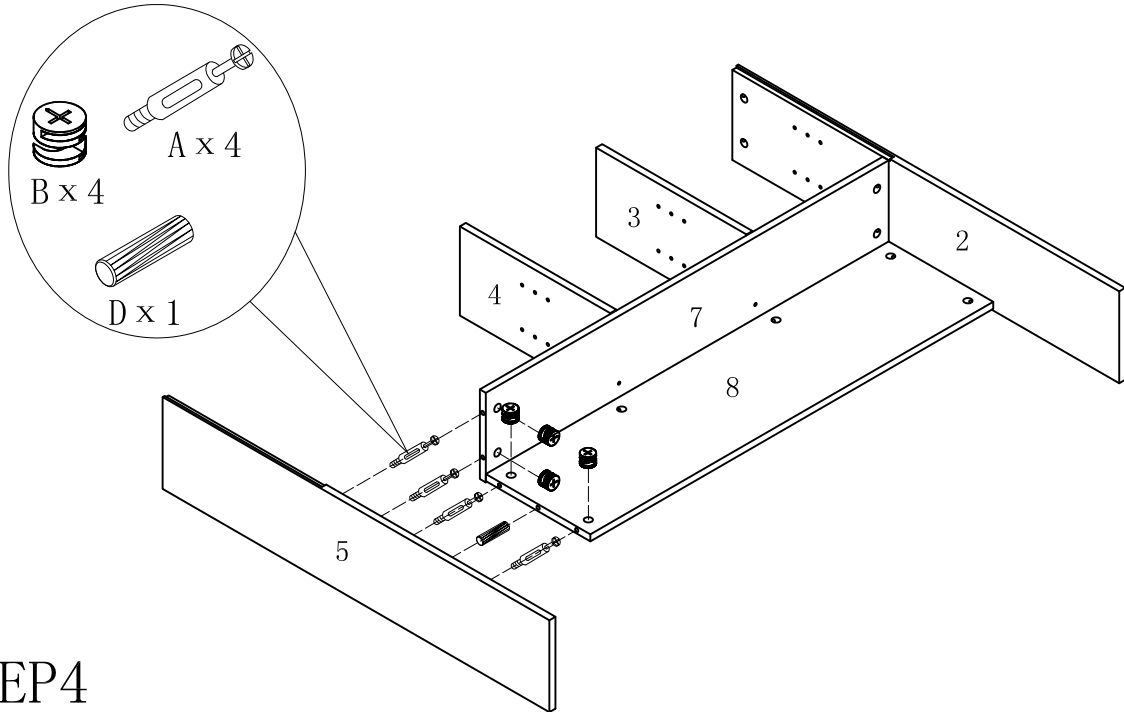
STEP2

STEP3



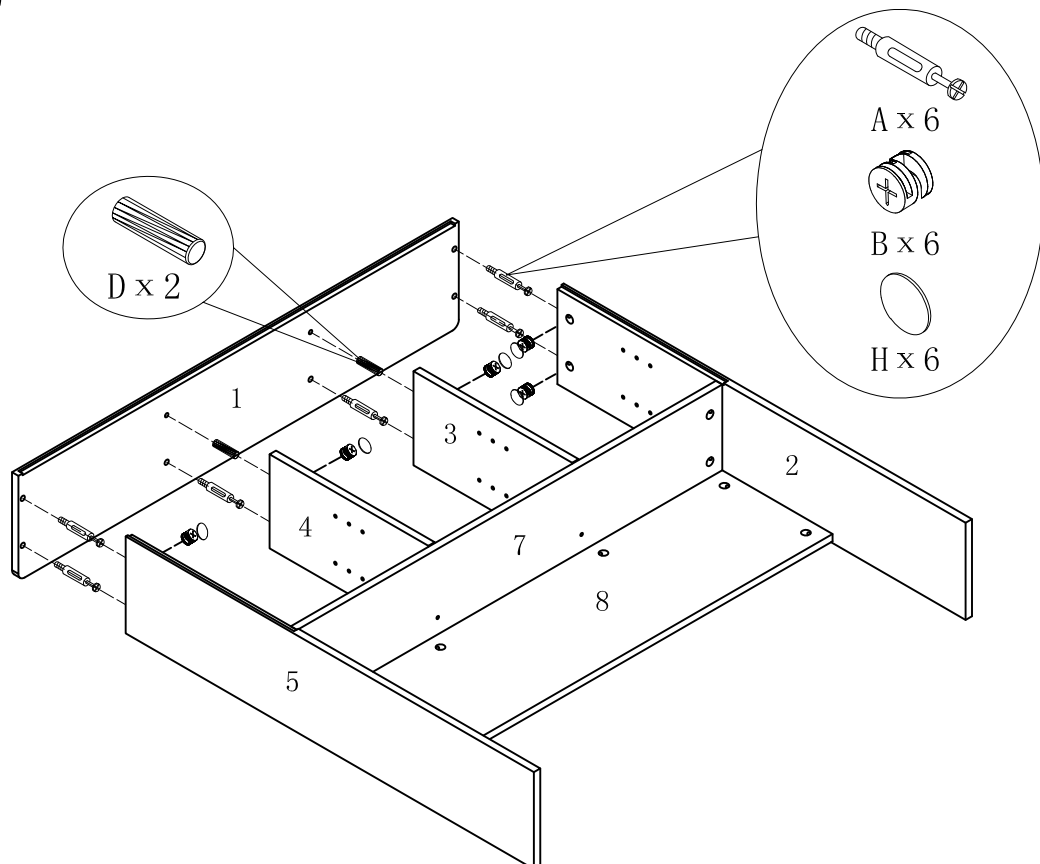
ASSEMBLY INSTRUCTION

ITEM#: Y1101T Y1401T Y2101T Y2201T Y4301T



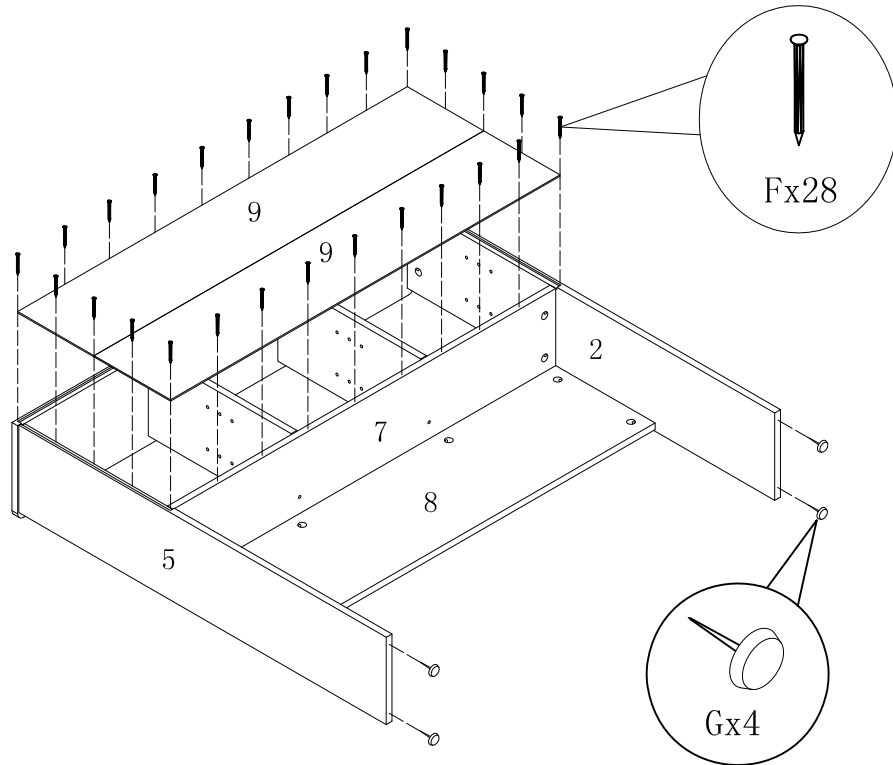
STEP4

STEP5



ASSEMBLY INSTRUCTION

ITEM#:Y1101T Y1401T Y2101T Y2201T Y4301T



STEP6

STEP7

