

ASSEMBLY INSTRUCTION

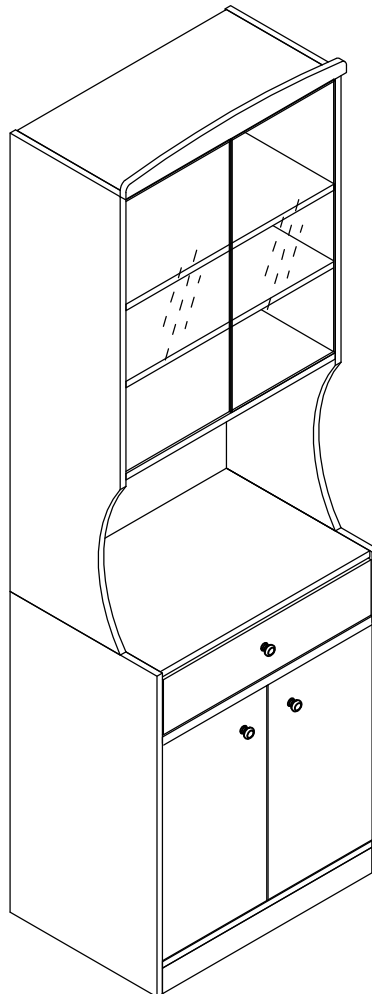
PLEASE READ BEFORE ASSEMBLING!

Tip #1: Make sure you've taken all the pieces and hardware out of its packaging before discarding the box.

Tip #2: Using page 2 and/or page 3 of instruction manual make sure all pieces and hardware are accounted for.

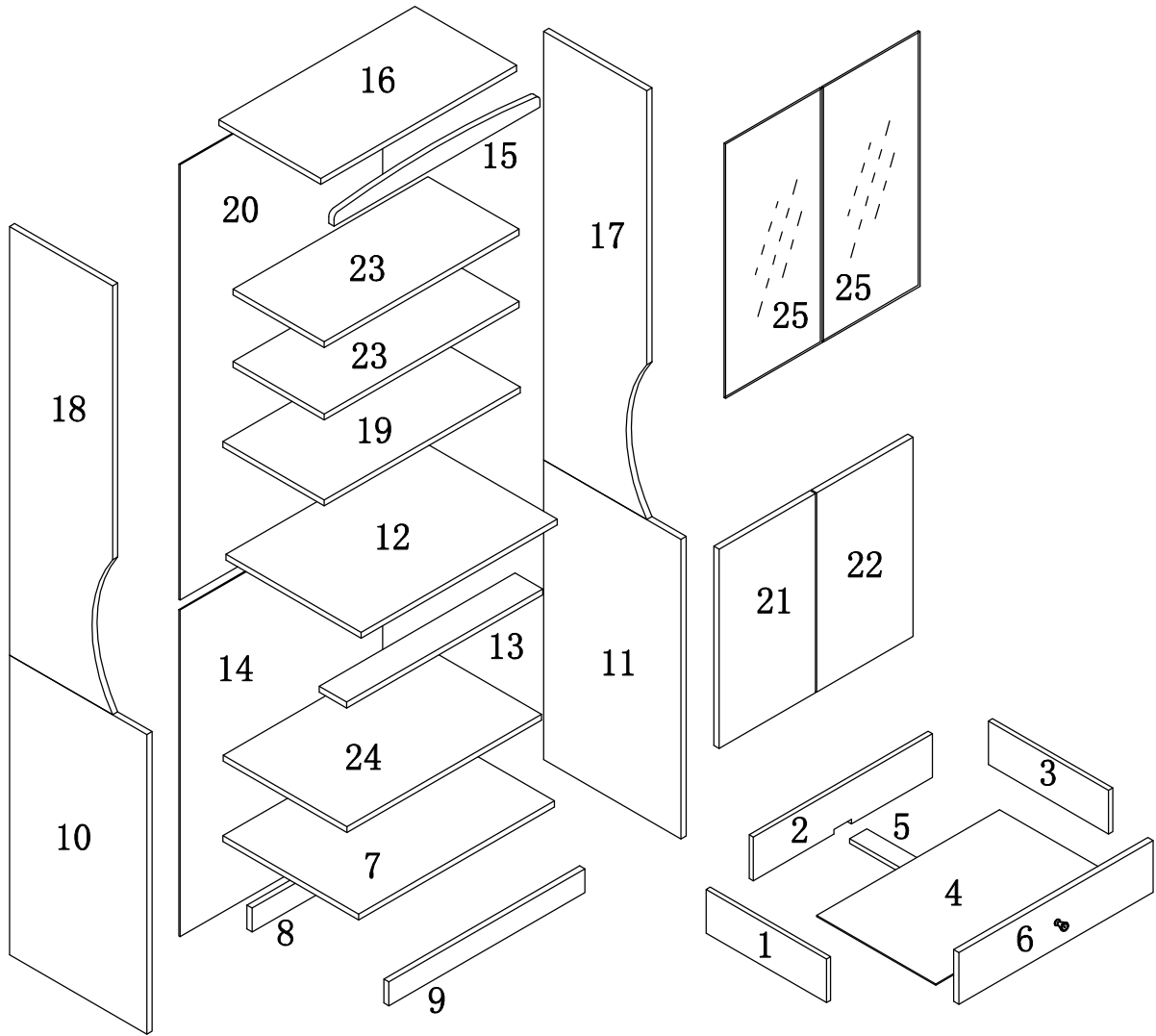
Tip #3: Read manual before assembling, it helps!

ITEM#: MS16-LCH3/MS16-MHG3/MS16-BE3/
MS16-WHT3/MS16-RC3



PARTS IDENTIFICATION

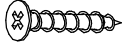
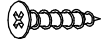
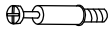




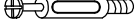

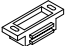


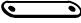

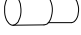







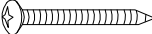
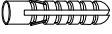


ITEM#: MS16-LCH3/MS16-MHG3/MS16-BE3/
MS16-WHT3/MS16-RC3



(1)	1pc	(10)	1pc	(19)	1pc
(2)	1pc	(11)	1pc	(20)	1pc
(3)	1pc	(12)	1pc	(21)	1pc
(4)	1pc	(13)	1pc	(22)	1pc
(5)	1pc	(14)	1pc	(23)	2pcs
(6)	1pc	(15)	1pc	(24)	1pc
(7)	1pc	(16)	1pc	(25)	2pcs
(8)	1pc	(17)	1pc		
(9)	1pc	(18)	1pc		

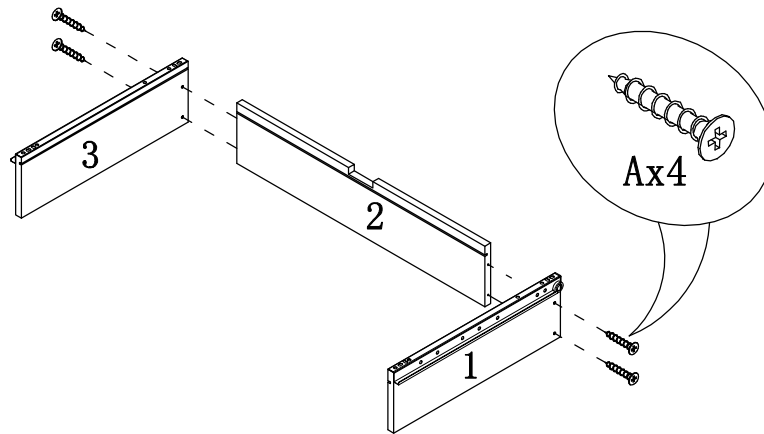
HARDWARE IDENTIFICATION

ITEM#: MS16-LCH3/MS16-MHG3/MS16-BE3/
MS16-WHT3/MS16-RC3

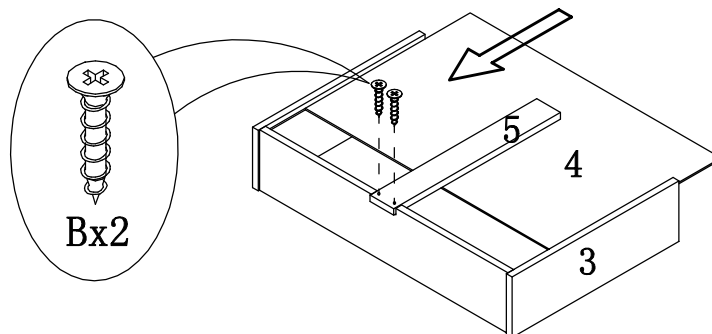
A		ø4×30	4pcs
B		ø4×25	3pcs
C		L20	4pcs
D		ø12	4pcs
E		ø4×22	3pcs
F			3pcs
G		ø15	24pcs
H		L29	24pcs
I			54pcs
J			1pc
K		ø3×16	6pcs
L			2sets
M			2pcs
N		ø3×14	4pcs
O		ø5	12pcs
P			1set
Q		ø18	4pcs
R		ø8×25	25pcs
S		ø6×30	2pcs
T		197×5×1	1pc
U		ø4×25	1pc
V		12×12×1	2pcs
W		ø5×40	1pc
X		ø8×40	1pc
Y		ø16	6pcs
Z		Glue: For securing please apply to wood dowel first before inserting into panel	1pc

ASSEMBLY INSTRUCTION

ITEM#: MS16-LCH3/MS16-MHG3/MS16-BE3/
MS16-WHT3/MS16-RC3

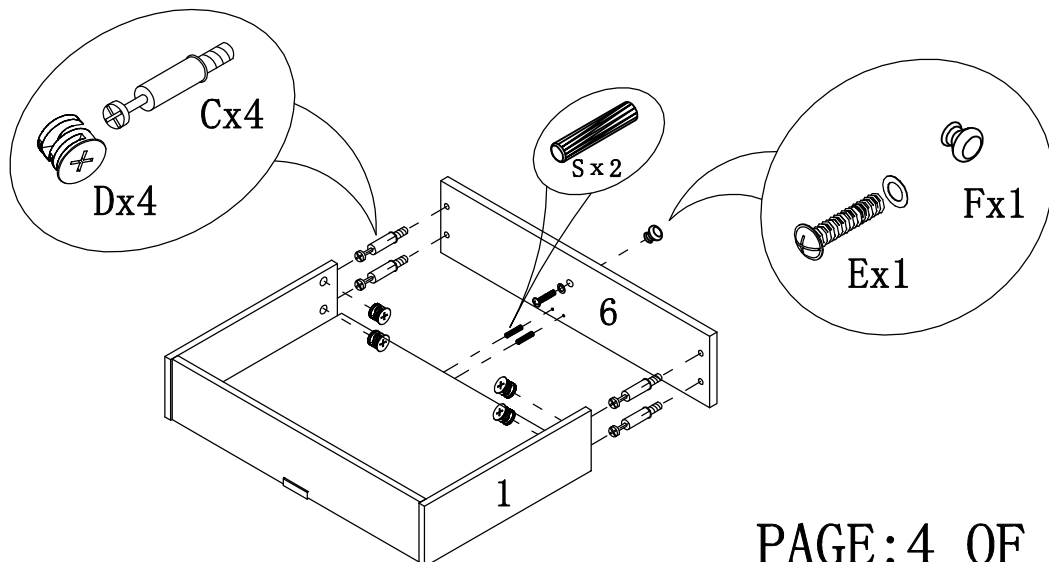


STEP1



STEP2

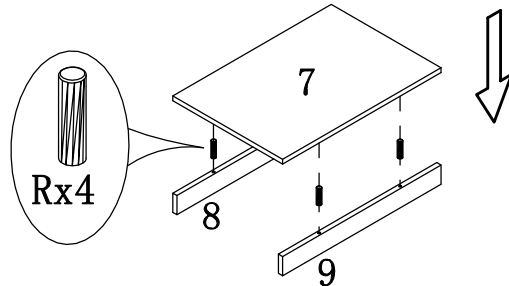
STEP3



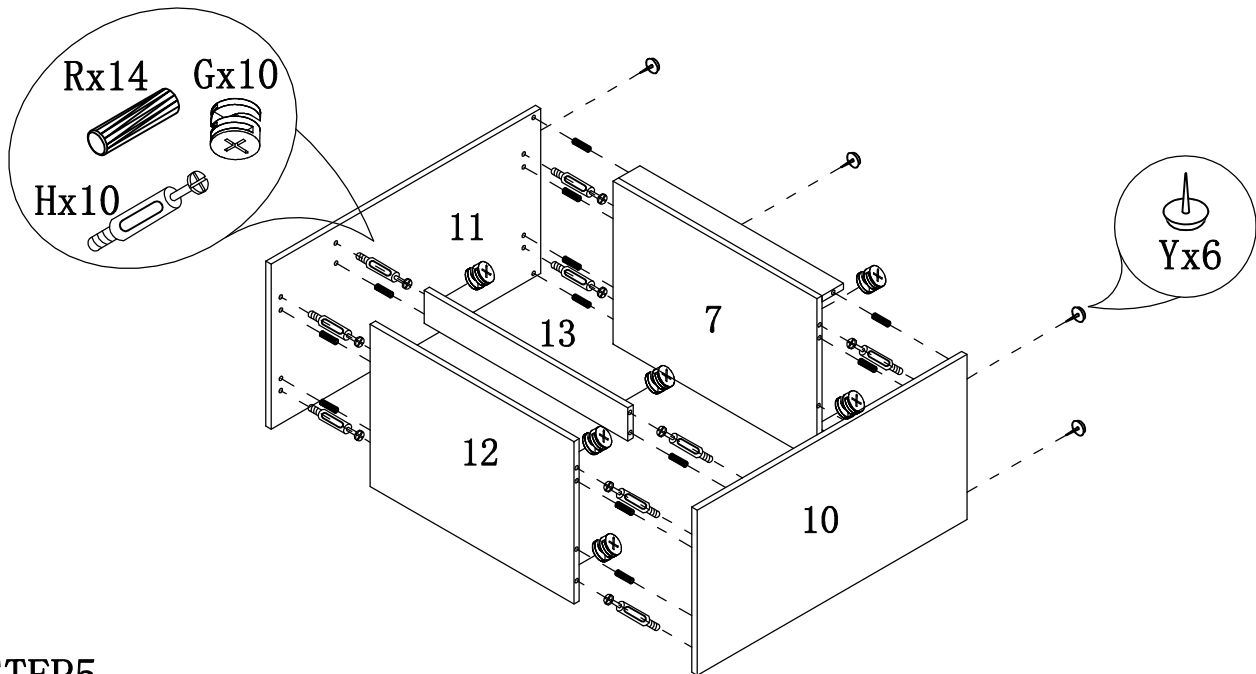
PAGE:4 OF 8

ASSEMBLY INSTRUCTION

ITEM#: MS16-LCH3/MS16-MHG3/MS16-BE3/
MS16-WHT3/MS16-RC3

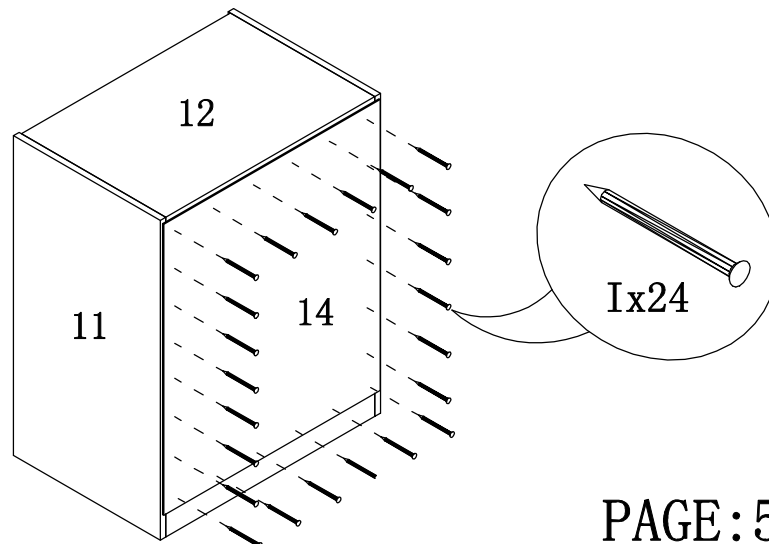


STEP4



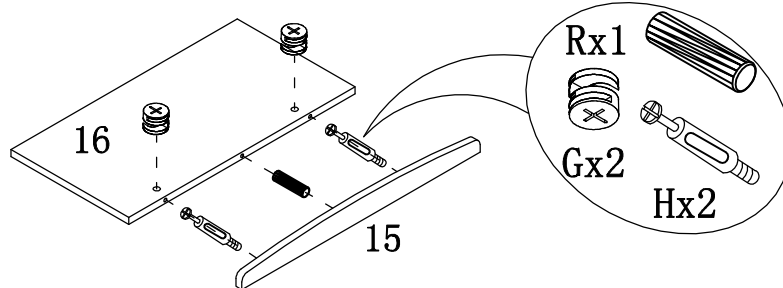
STEP5

STEP6



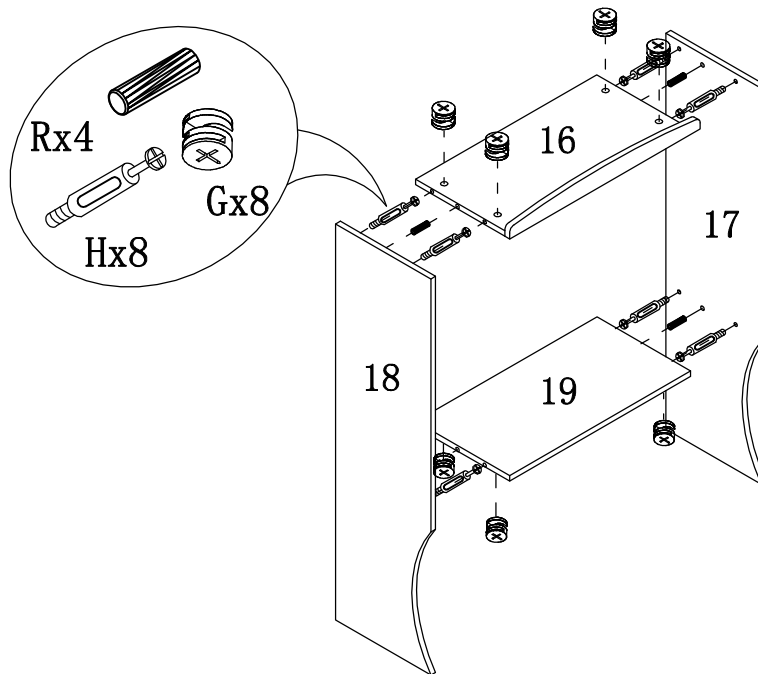
ASSEMBLY INSTRUCTION

ITEM#: MS16-LCH3/MS16-MHG3/MS16-BE3/
MS16-WHT3/MS16-RC3

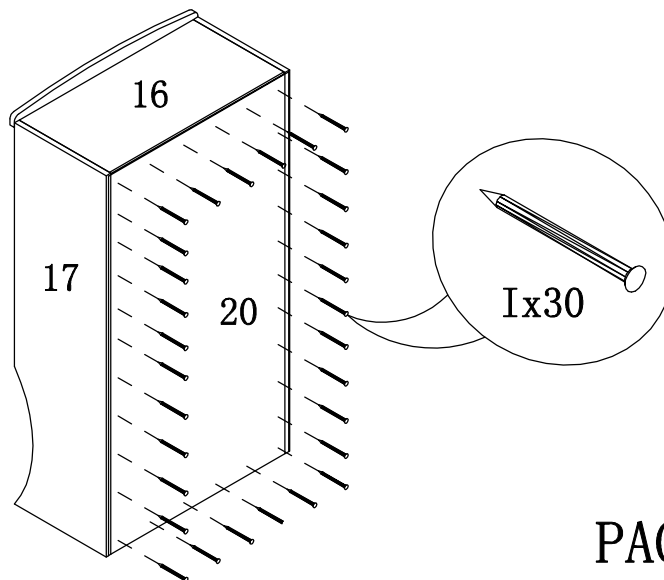


STEP7

STEP8

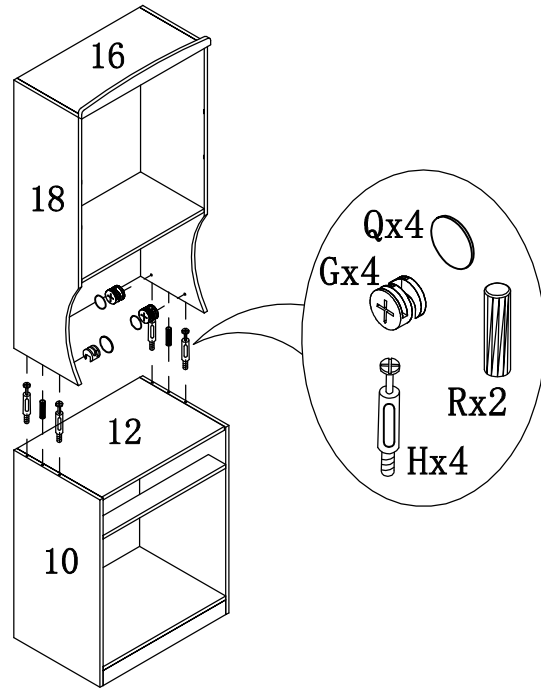


STEP9



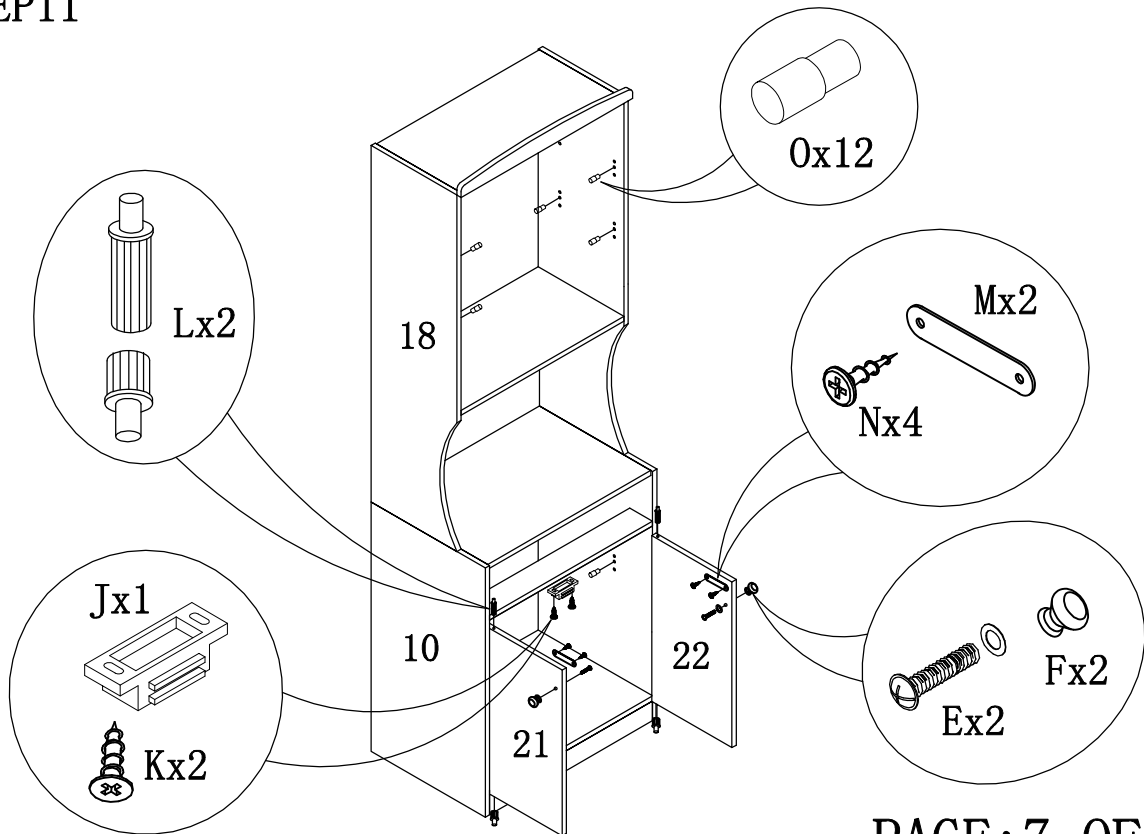
ASSEMBLY INSTRUCTION

ITEM#: MS16-LCH3/MS16-MHG3/MS16-BE3/
MS16-WHT3/MS16-RC3



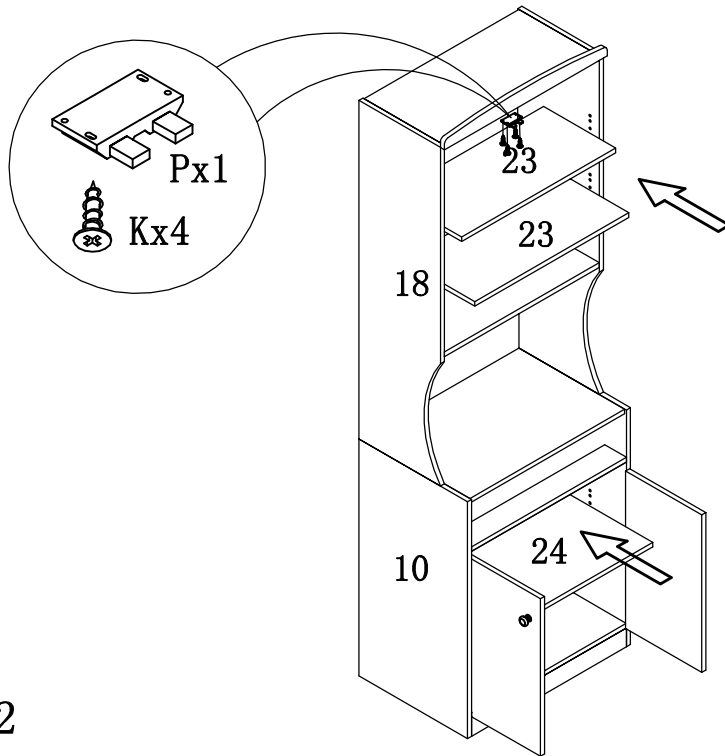
STEP10

STEP11



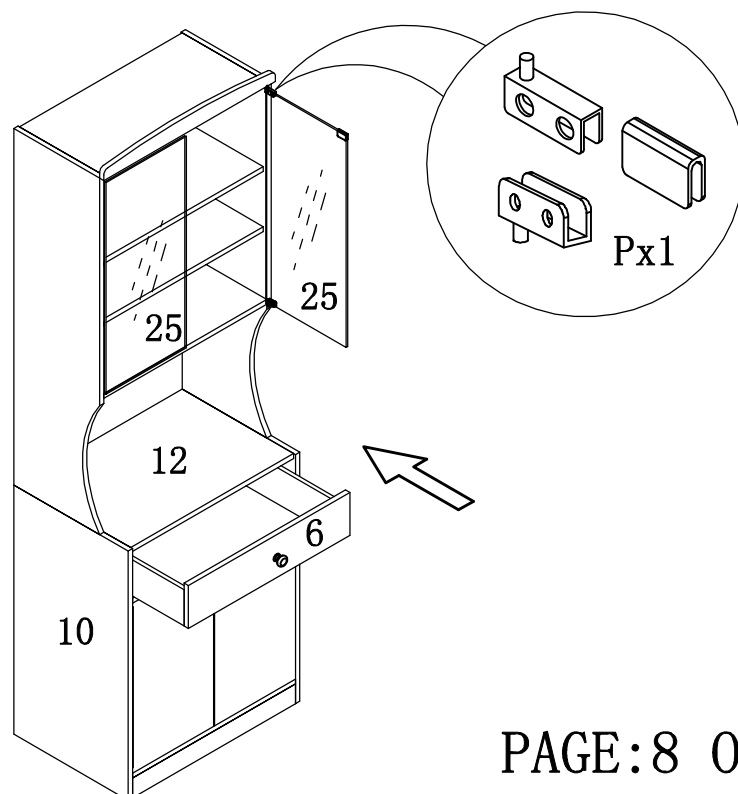
ASSEMBLY INSTRUCTION

ITEM#: MS16-LCH3/MS16-MHG3/MS16-BE3/
MS16-WHT3/MS16-RC3



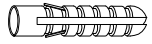
STEP12

STEP13

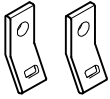


ANTI-TIPPING STRAP INSTRUCTION

HARDWARE (INCLUDED) :



DRYWALL ANCHOR $\phi 8 \times 40$ X 1PC



METAL BRACKETS $12 \times 12 \times 1$ X 2PCS



DRYWALL SCREW $\phi 5 \times 40$ X 1PC

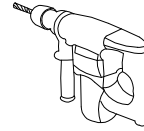


STRAP $197 \times 5 \times 1$ X 1PC



FLATHEAD SCREW $\phi 4 \times 25$ X 1PC

TOOLS NEEDED (NOT INCLUDED) :



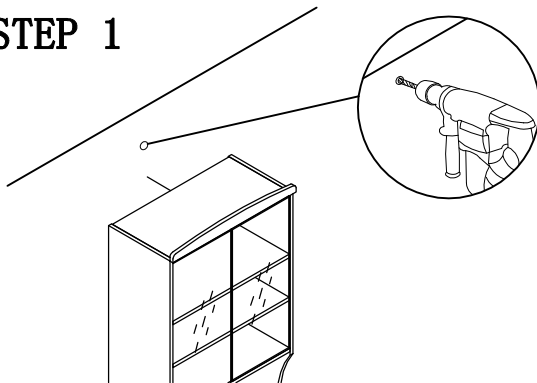
DRILL & DRILL BIT



LIGHT HAMMER

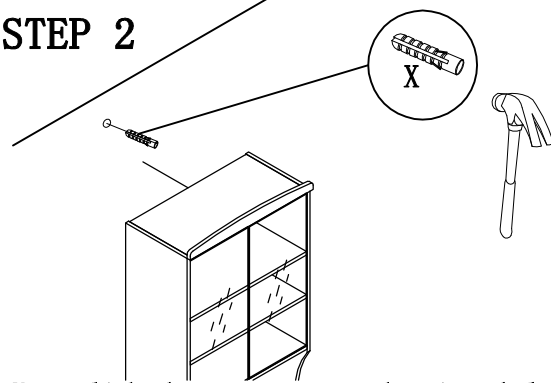
Note: Hardware included only compatible with standard drywalls.

STEP 1



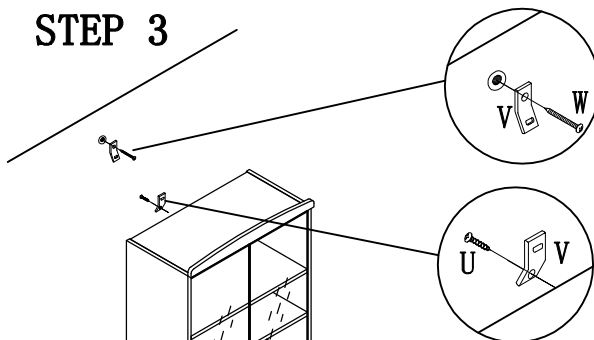
1. Find spot on wall 1" below top of item.
2. Using a drill bit slightly thinner than anchor, drill hole into drywall.

STEP 2



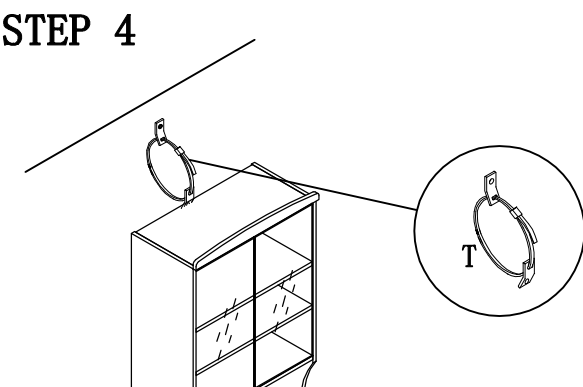
1. Use a light hammer to tap anchor into hole.
2. Anchor should fit snugly. If hole is too small, drill again to increase hole size. Do not force anchor into wall.

STEP 3



1. Insert drywall screw into metal bracket and into drywall anchor.
2. Insert flathead screw into second metal bracket and into back of item along top edge.

STEP 4



1. Insert strap thru bracket attached to wall, then thru bracket on item, and into head of strap.
 2. pull lightly til strap stops.
- Assembly is complete.