

ASSEMBLY INSTRUCTION

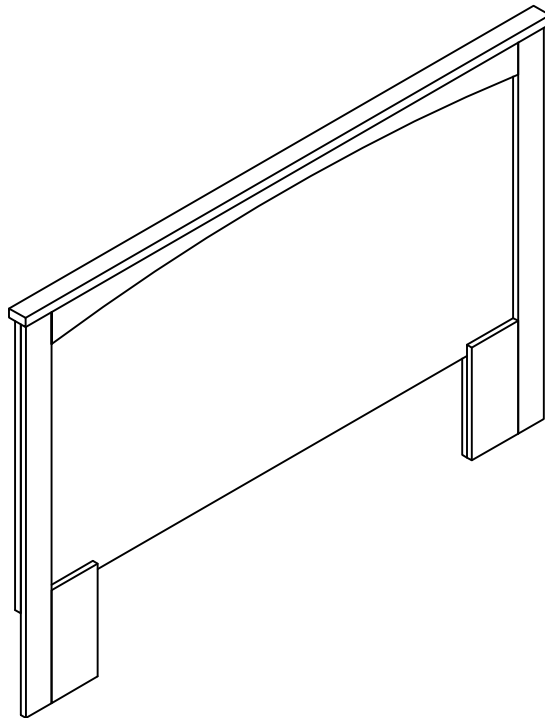
PLEASE READ BEFORE ASSEMBLING!

Tip #1: Make sure you've taken all the pieces and hardware out of its packaging before discarding the box. Assembly on top of flattened box/blanket is recommended.

Tip #2: Using page 2 and/or page 3 of instruction manual make sure all pieces and hardware are accounted for.

Tip #3: Note position of all holes on each panel during assembly.

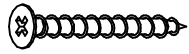
ITEM#: MB-1701Q



HARDWARE IDENTIFICATION

ITEM#:MB-1701Q

A



ø4x50

12pcs

ASSEMBLY INSTRUCTION

ITEM#:MB-1701Q

STEP1

