

ASSEMBLY INSTRUCTION

PLEASE READ BEFORE ASSEMBLING!

Tip #1: Make sure you've taken all the pieces and hardware out of its packaging before discarding the box. Assembly on top of flattened box/blanket is recommended.

Tip #2: Using page 2 and/or page 3 of instruction manual make sure all pieces and hardware are accounted for.

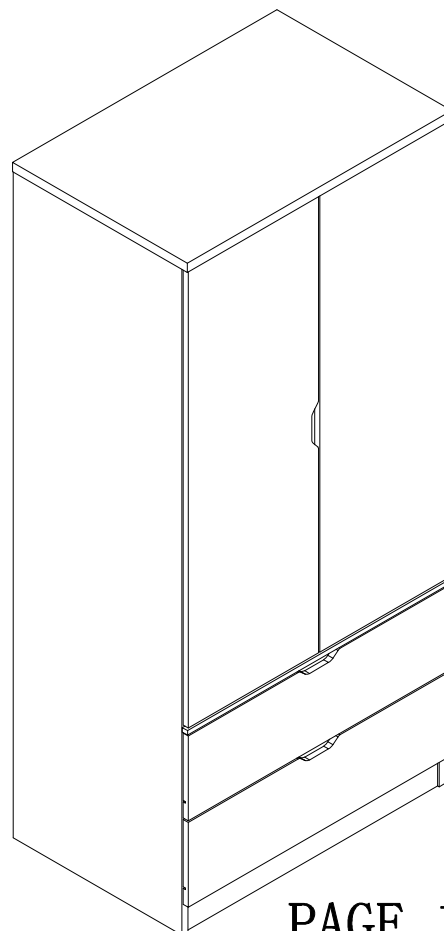
Tip #3: Note position of all holes on each panel during assembly.

ITEM#: K16006、 K16007、 K16008、 K16009、
K16010、 K16080、 K16081、 K16082、 K16083

Need some help?
Scan here for
assembly video.



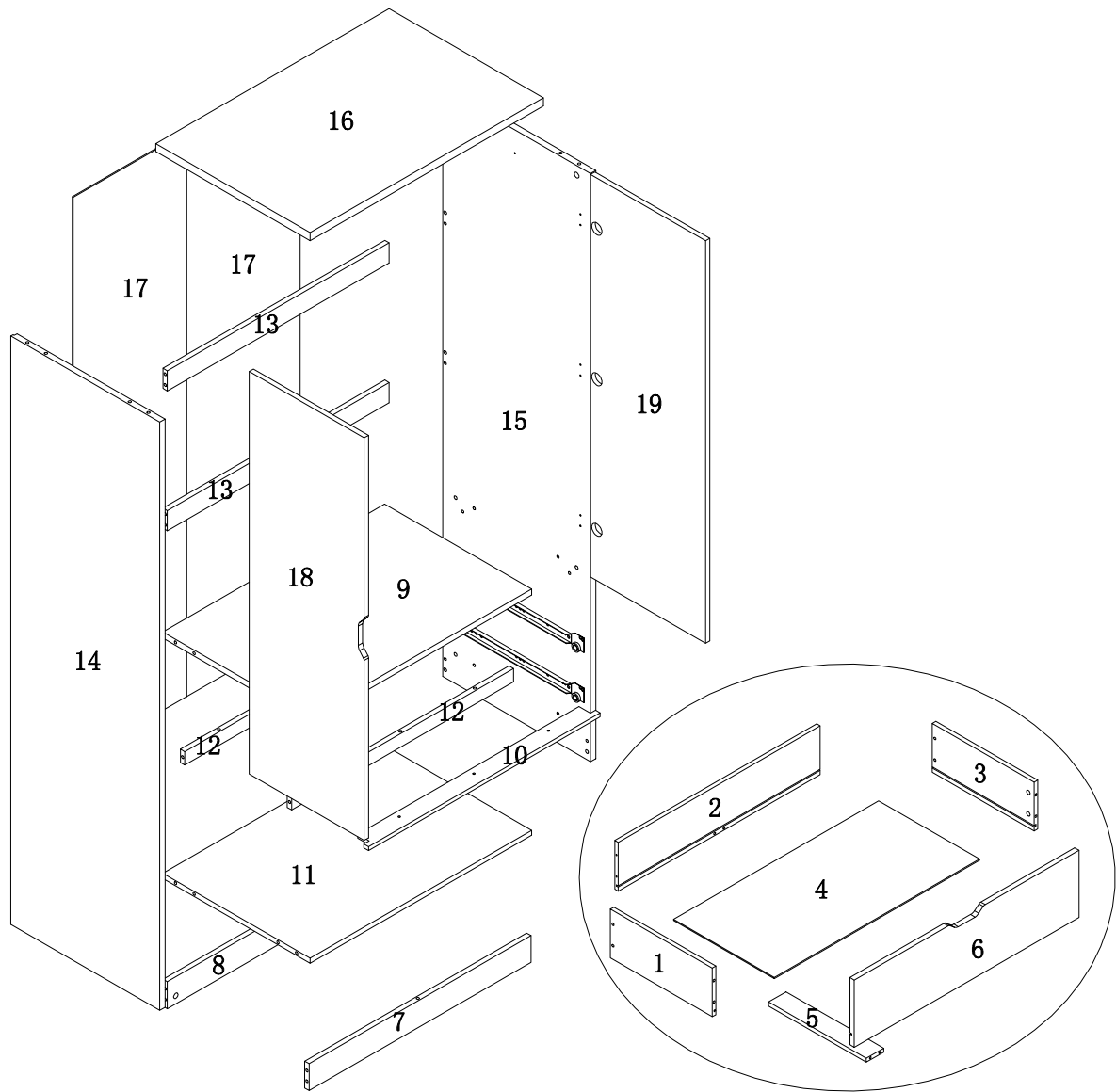
VERSION: 20200713



PAGE 1 OF 11

PARTS IDENTIFICATION

ITEM#:K16006、K16007、K16008、K16009、
K16010、K16080、K16081、K16082、K16083

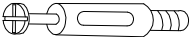

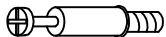




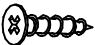
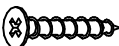
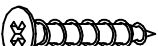
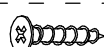

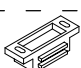
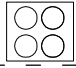

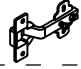
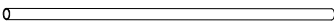

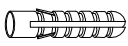

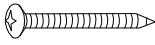
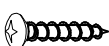



x2

(1)	2pcs	(8)	1pc	(15)	1pc
(2)	2pcs	(9)	1pc	(16)	1pc
(3)	2pcs	(10)	1pc	(17)	2pcs
(4)	2pcs	(11)	1pc	(18)	1pc
(5)	2pcs	(12)	2pcs	(19)	1pc
(6)	2pcs	(13)	2pcs		
(7)	1pc	(14)	1pc		

HARDWARE IDENTIFICATION

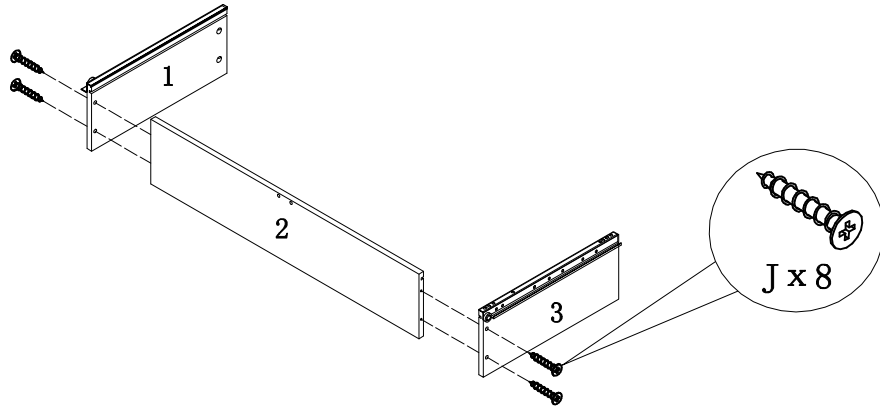
ITEM#:K16006、K16007、K16008、K16009、
K16010、K16080、K16081、K16082、K16083

A		L29	20pcs
B		ø15	20pcs
C		L20	8pcs
D		ø12	8pcs
E		ø6×30	4pcs
F		ø8×25	32pcs
G			2pcs
H		ø4 x 16	28pcs
I		ø4 x 25	3pcs
J		ø4 x 30	12pcs
K		ø3 x 16	2pcs
L		Z1016	44pcs
M			1pc
N		ø18	4pcs
O		ø16	8pcs
P		301A	6pcs
Q		L=755	1pc
R		197x5x1	1pc
S		ø8x40	1pc
T		12x12x1	2pcs
U		ø5x40	1pc
V		ø4x25	1pc
W		Glue: For securing please apply to wood dowel first before inserting into panel	1pc

ASSEMBLY INSTRUCTION

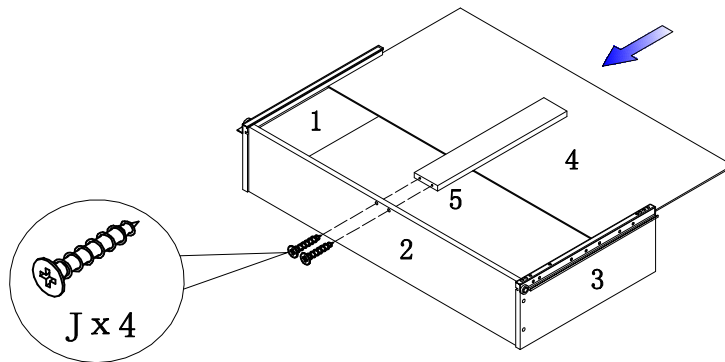
ITEM#:K16006、K16007、K16008、K16009、
K16010、K16080、K16081、K16082、K16083
x2

STEP1



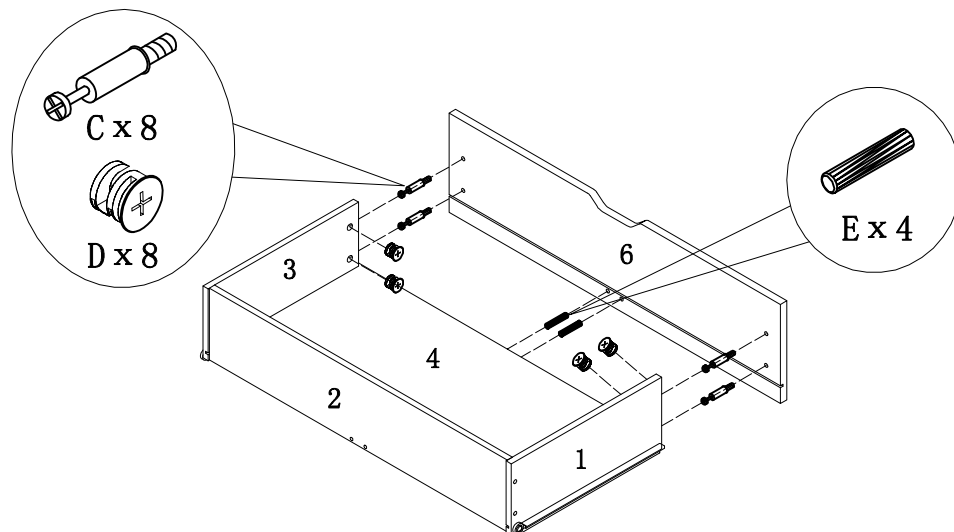
STEP2

x2



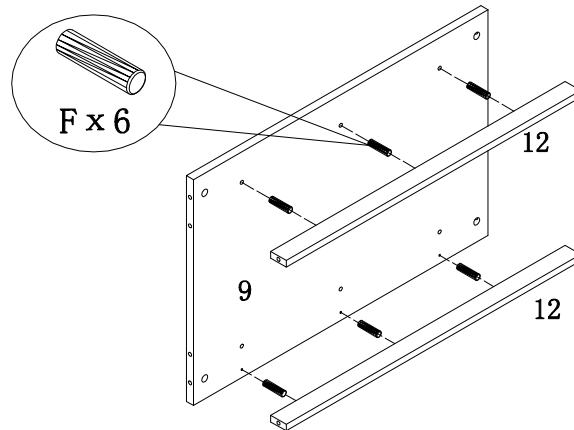
STEP3

x2



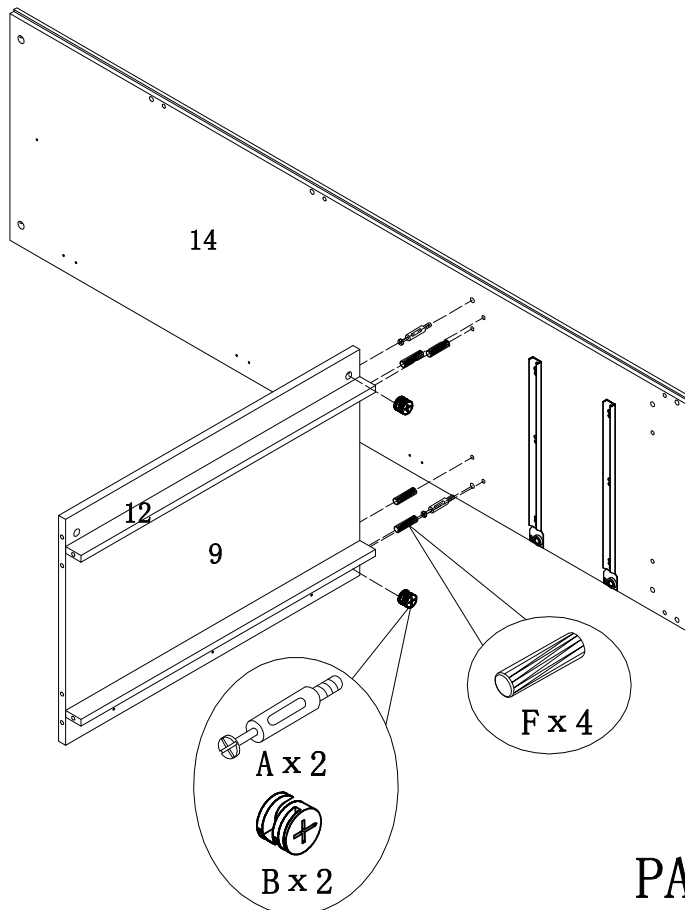
ASSEMBLY INSTRUCTION

ITEM#:K16006、K16007、K16008、K16009、
K16010、K16080、K16081、K16082、K16083



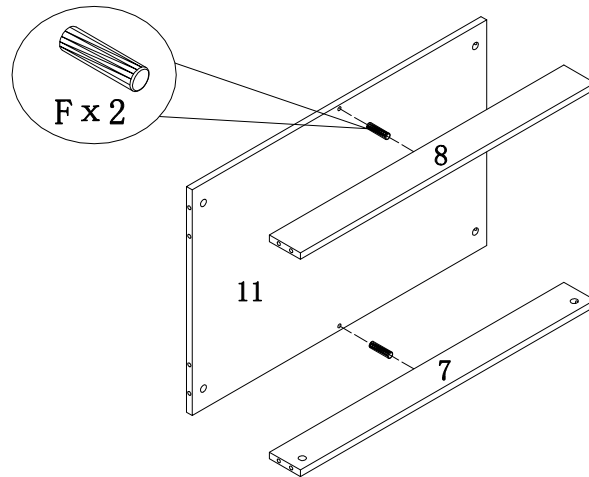
STEP4

STEP5



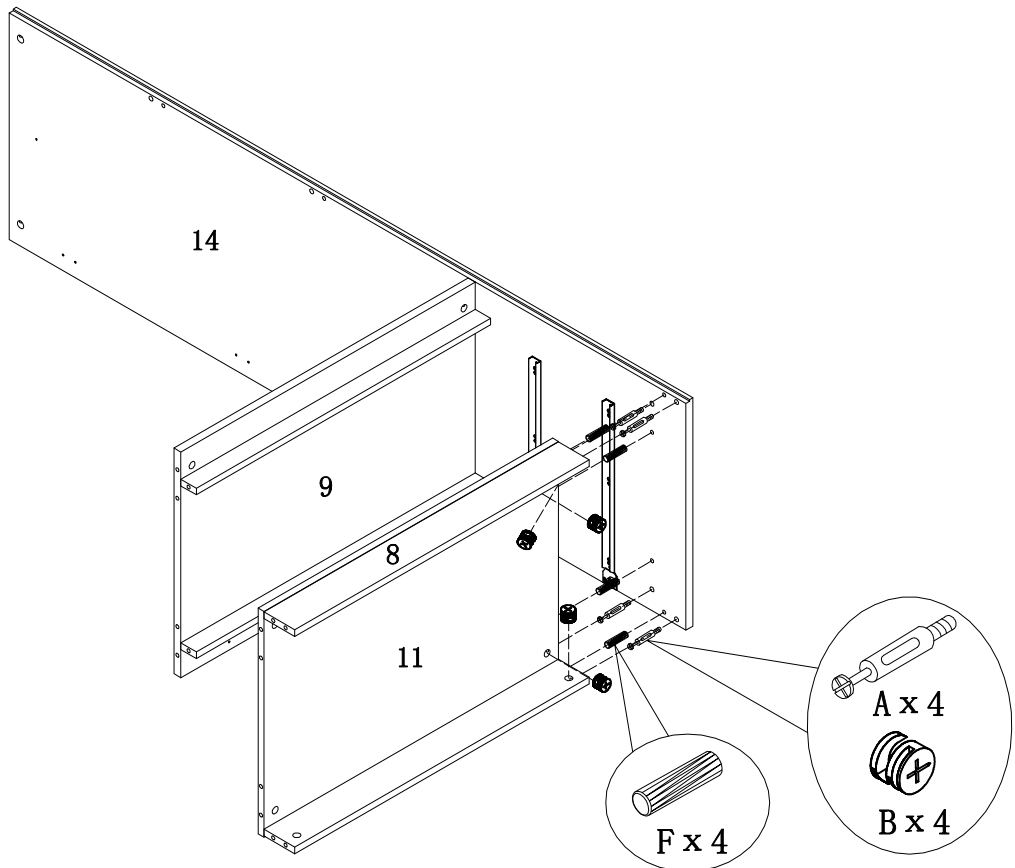
ASSEMBLY INSTRUCTION

ITEM#:K16006、K16007、K16008、K16009、
K16010、K16080、K16081、K16082、K16083



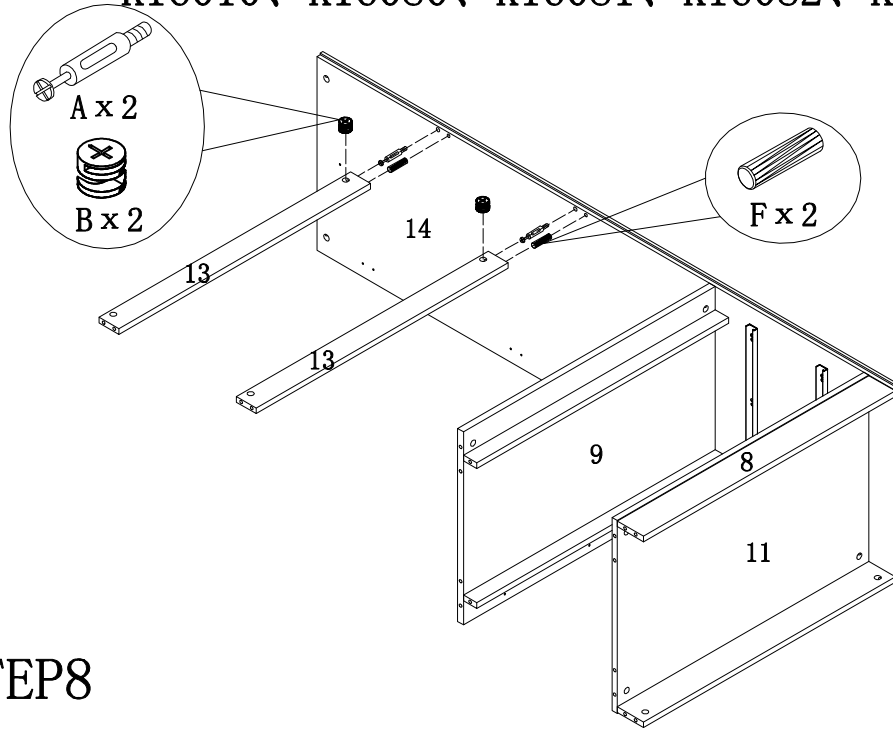
STEP6

STEP7



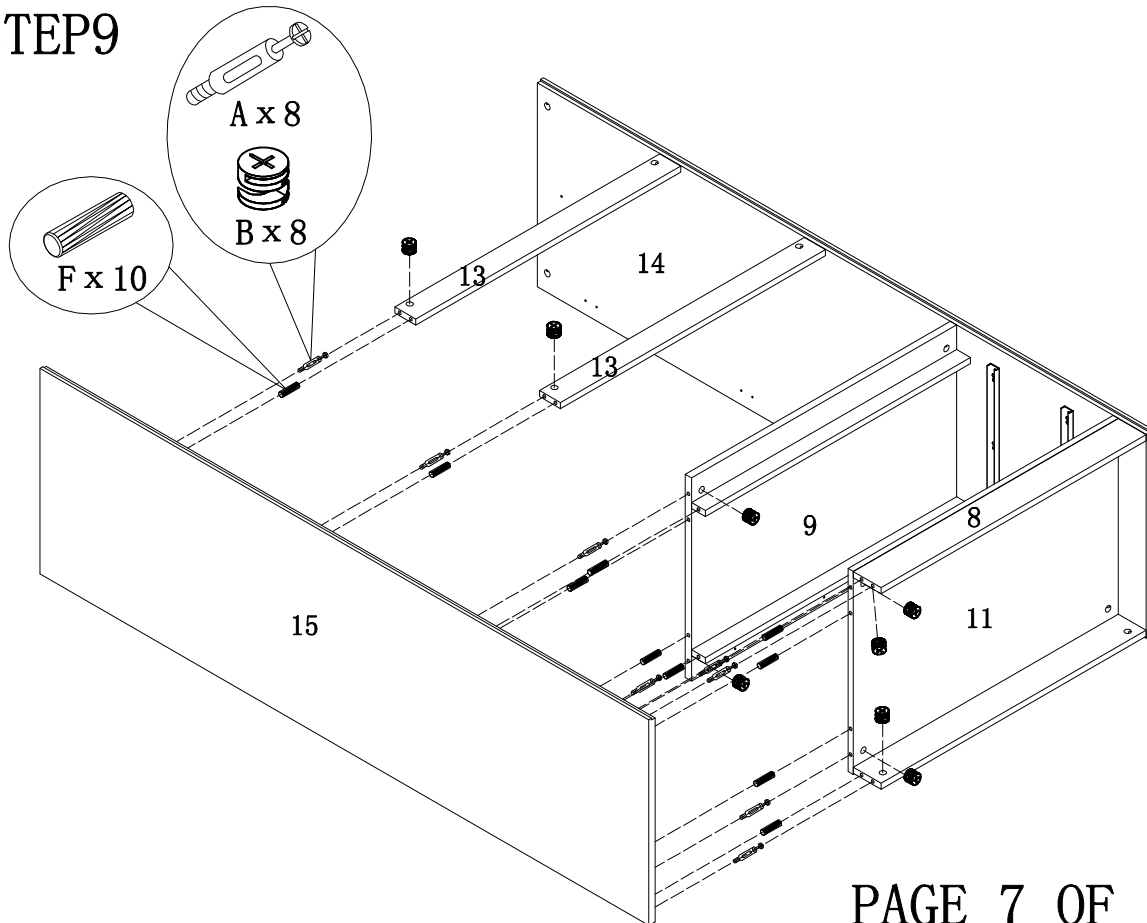
ASSEMBLY INSTRUCTION

ITEM#:K16006、K16007、K16008、K16009、
K16010、K16080、K16081、K16082、K16083



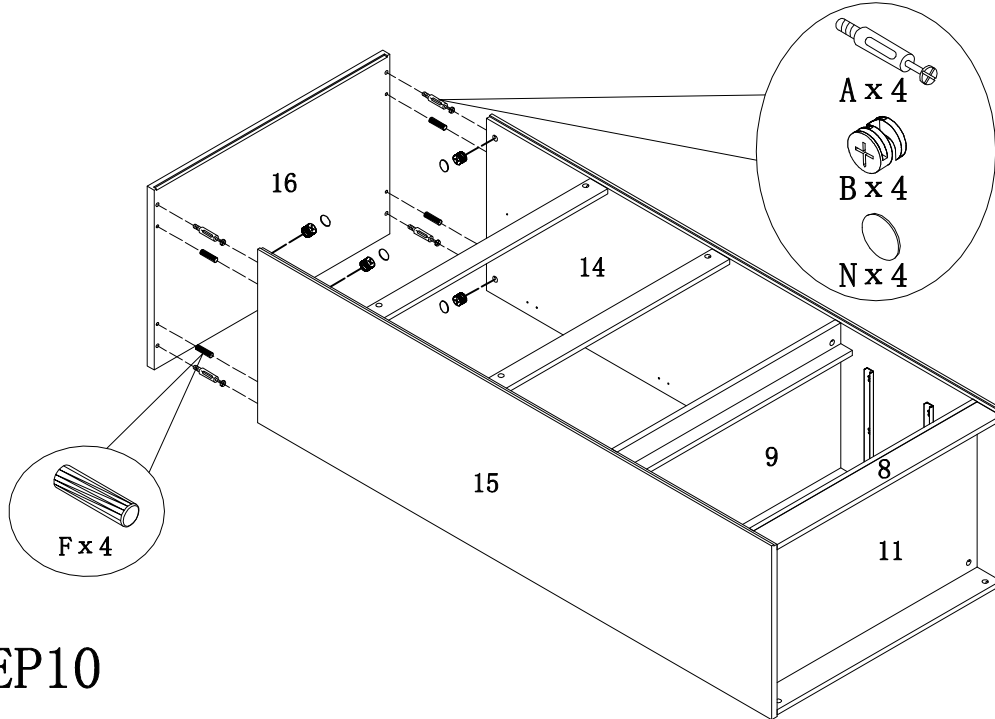
STEP8

STEP9



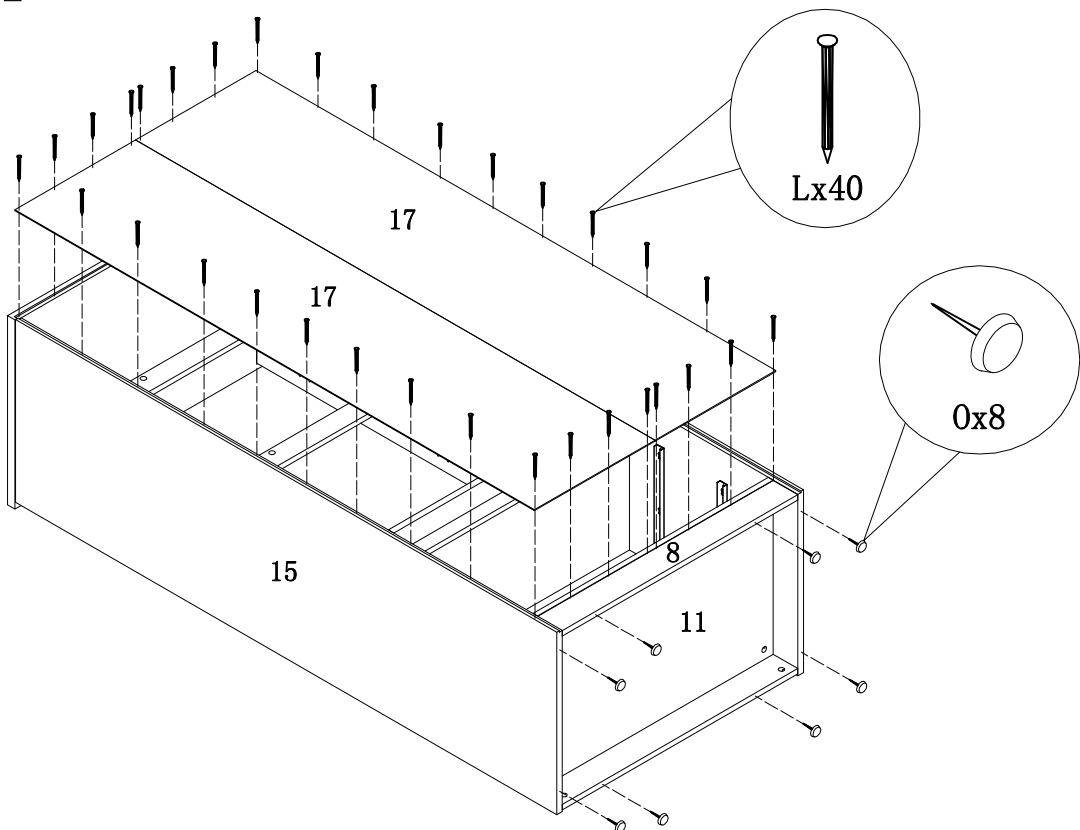
ASSEMBLY INSTRUCTION

ITEM#:K16006、K16007、K16008、K16009、
K16010、K16080、K16081、K16082、K16083



STEP10

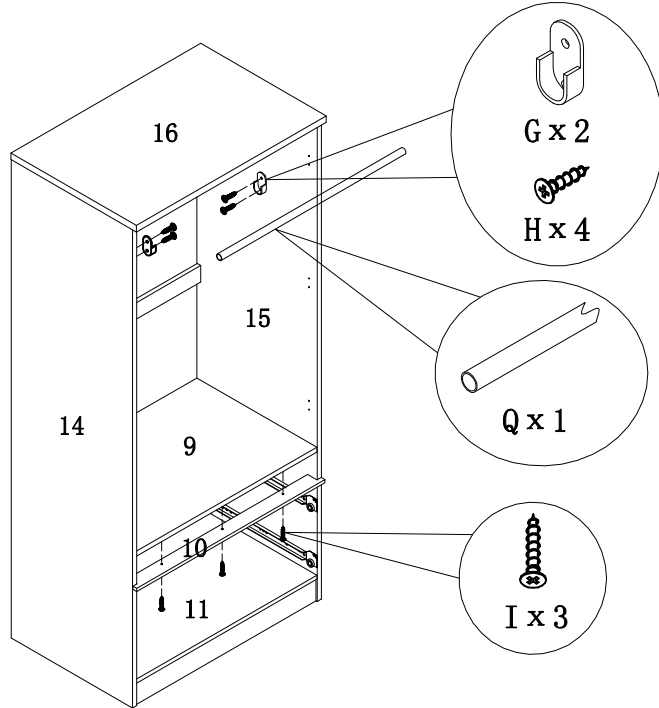
STEP11



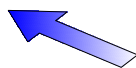
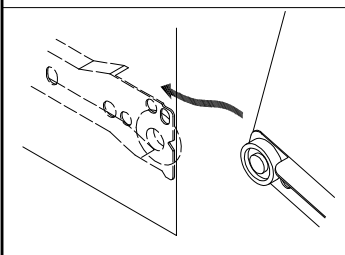
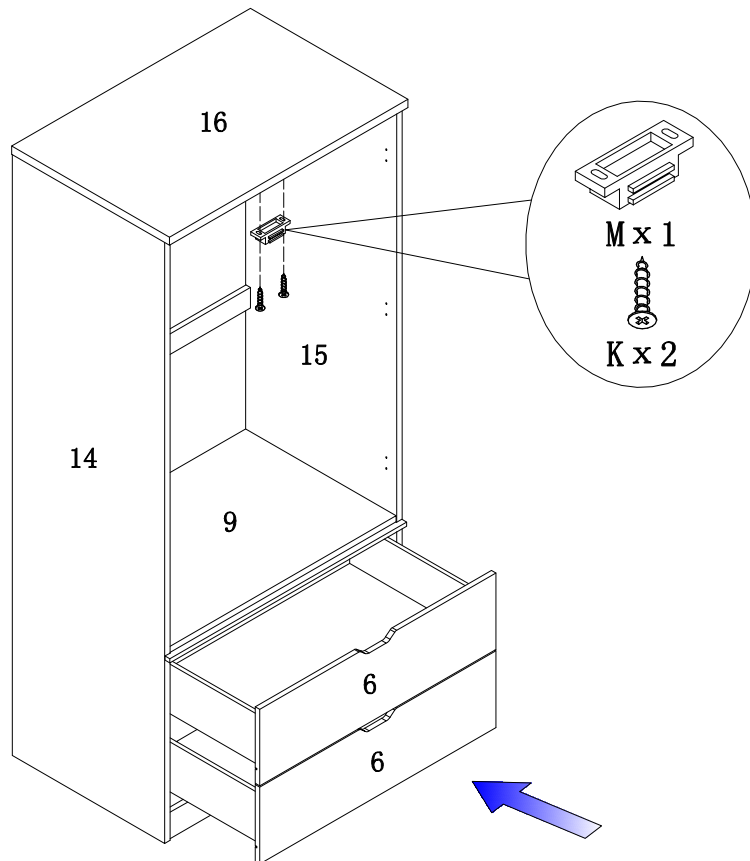
ASSEMBLY INSTRUCTION

ITEM#:K16006、K16007、K16008、K16009、
K16010、K16080、K16081、K16082、K16083

STEP12



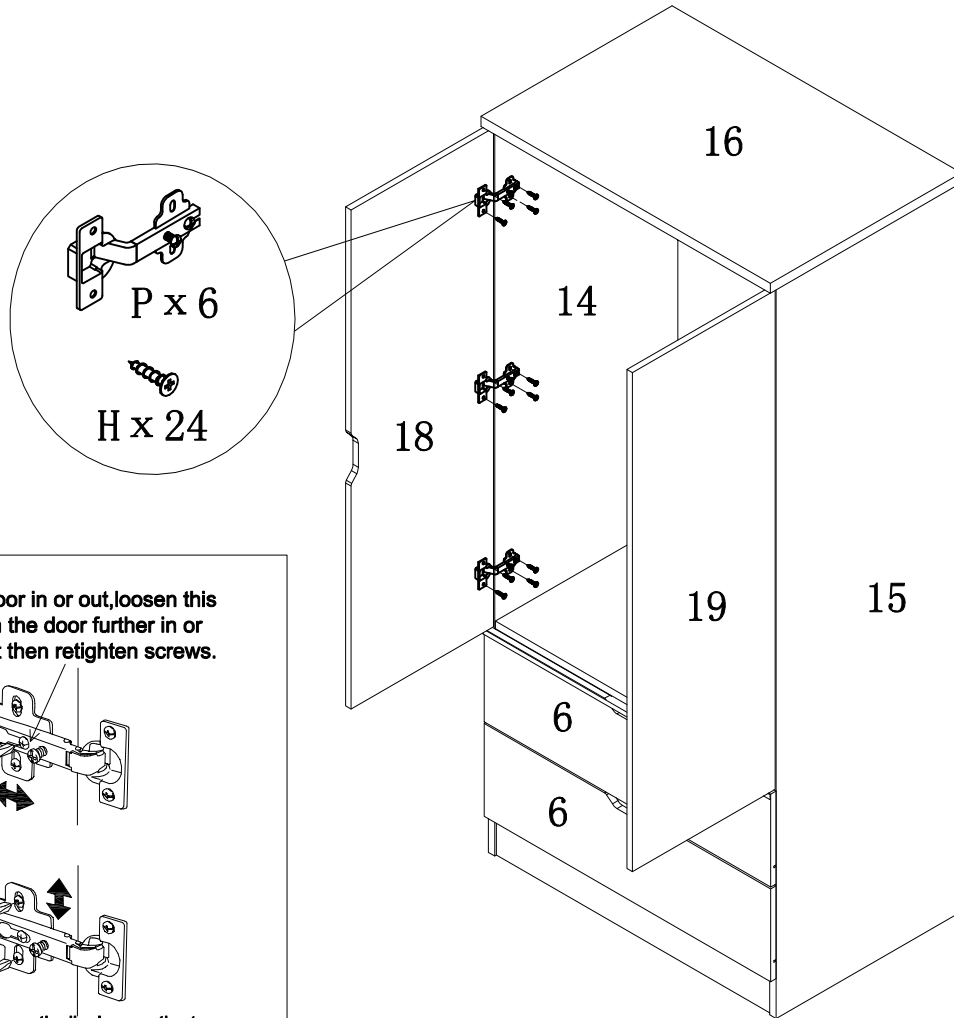
STEP13



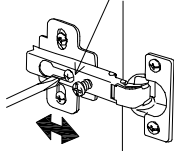
ASSEMBLY INSTRUCTION

ITEM#:K16006、K16007、K16008、K16009、
K16010、K16080、K16081、K16082、K16083

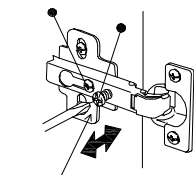
STEP14



To adjust the door in or out,loosen this screw and push the door further in or push further out then retighten screws.



To adjust the door vertically, loosen the top and bottom screws, push the door up or down as necessary, then retighten screws.

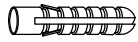


To adjust the door left/right, turn this screw clockwise to move this corner of the door toward the frame, or counterclockwise to move door away from the frame.

ANTI-TIPPING STRAP INSTRUCTION

HARDWARE (INCLUDED) :

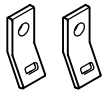
TOOLS NEEDED (NOT INCLUDED) :



DRYWALL ANCHOR $\phi 8 \times 40$ X 1PC



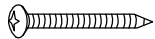
DRILL & DRILL BIT



METAL BRACKETS $12 \times 12 \times 1$ X 2PCS



LIGHT HAMMER



DRYWALL SCREW $\phi 5 \times 40$ X 1PC



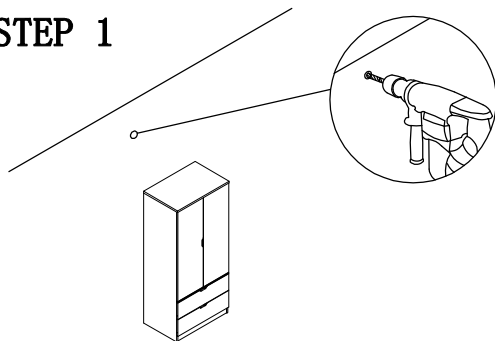
STRAP $197 \times 5 \times 1$ X 1PC



FLATHEAD SCREW $\phi 4 \times 25$ X 1PC

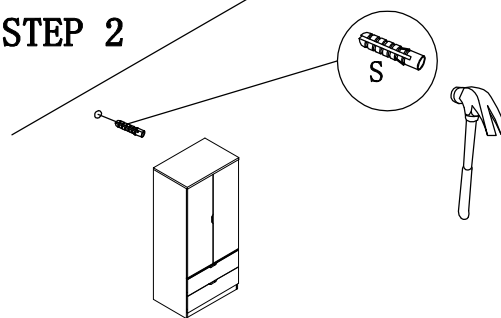
Note: Hardware included only compatible with standard drywalls.

STEP 1



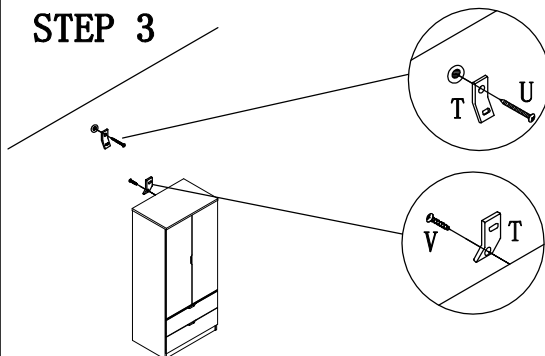
1. Find spot on wall 1" below top of item.
2. Using a drill bit slightly thinner than anchor, drill hole into drywall.

STEP 2



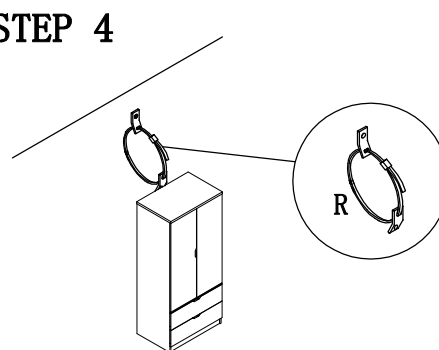
1. Use a light hammer to tap anchor into hole.
2. Anchor should fit snugly. If hole is too small, drill again to increase hole size. Do not force anchor into wall.

STEP 3



1. Insert drywall screw into metal bracket and into drywall anchor.
2. Insert flathead screw into second metal bracket and into back of item, along top edge.

STEP 4



1. Insert strap thru bracket attached to wall, then thru bracket on item, and into head of strap.
 2. pull lightly til strap stops.
- Assembly is complete.