

ASSEMBLY INSTRUCTION

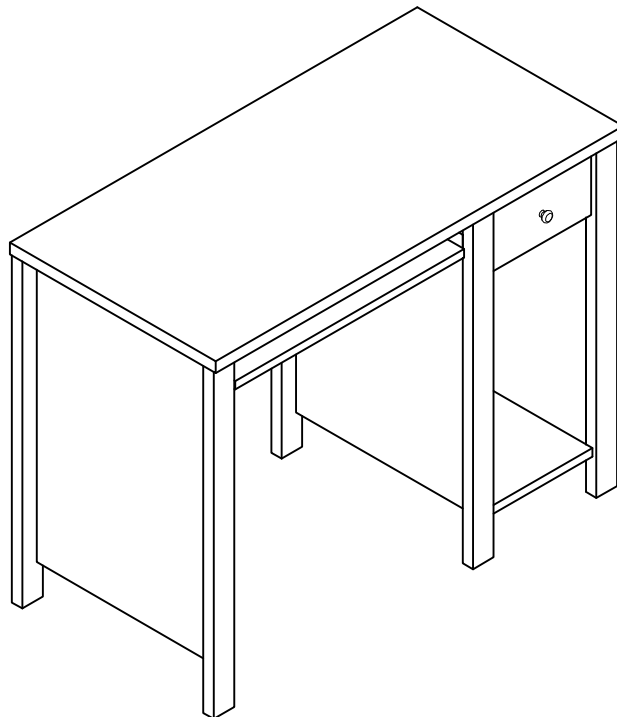
PLEASE READ BEFORE ASSEMBLING!

Tip #1: Make sure you've taken all the pieces and hardware out of its packaging before discarding the box.

Tip #2: Using page 2 and/or page 3 of instruction manual make sure all pieces and hardware are accounted for.

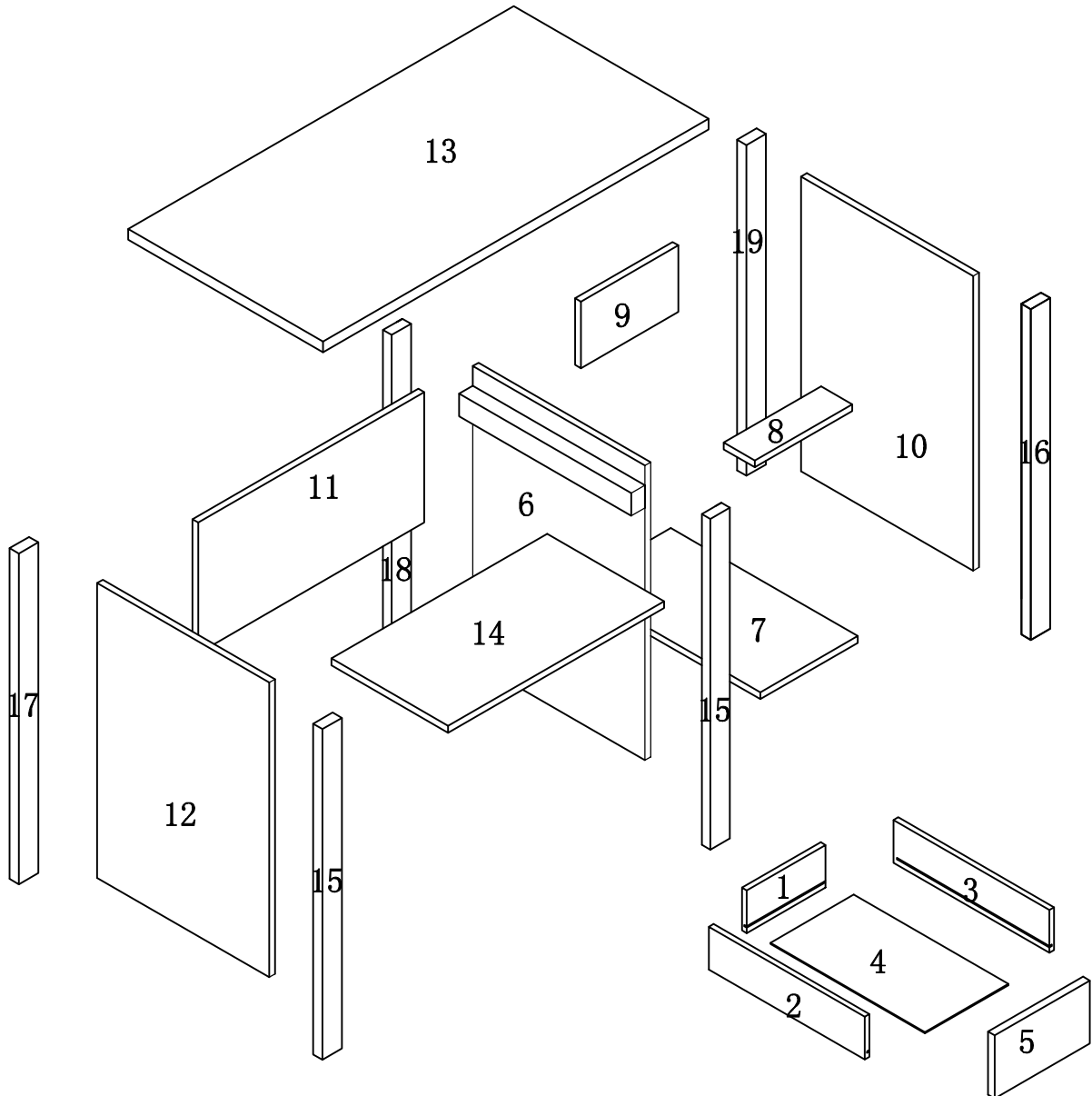
Tip #3: Read manual before assembling, it helps!

ITEM#: CD29254BE、 CD29254CB、
CD29254LCH、 CD29254WH、 CD29254RC



PARTS IDENTIFICATION

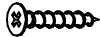
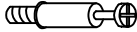





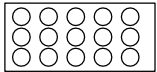
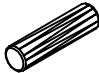


ITEM#: CD29254BE、CD29254CB、
CD29254LCH、CD29254WH、CD29254RC



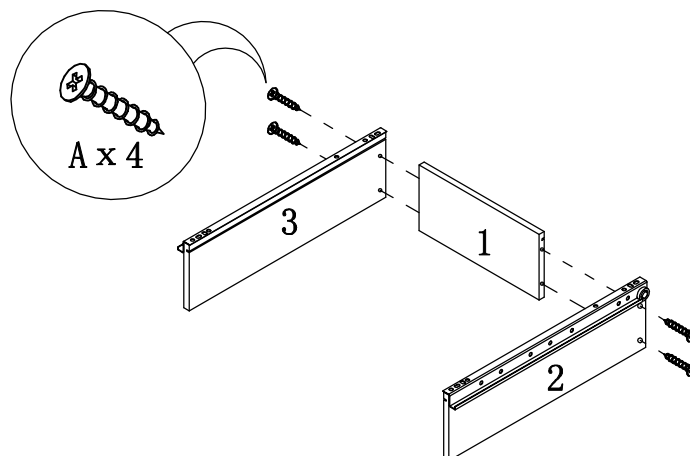
(1)	1pc	(7)	1pc	(13)	1pc	(19)	1pc
(2)	1pc	(8)	1pc	(14)	1pc		
(3)	1pc	(9)	1pc	(15)	2pc		
(4)	1pc	(10)	1pc	(16)	1pc		
(5)	1pc	(11)	1pc	(17)	1pc		
(6)	1pc	(12)	1pc	(18)	1pc		

HARDWARE IDENTIFICATION

ITEM#: CD29254BE、CD29254CB、
CD29254LCH、CD29254WH、CD29254RC

A		ø4 x 30	4pcs
B		L20	4pcs
C		ø12	4pcs
D			1pc
E		ø4 x 22	1pc
F		L29	32pcs
G		ø15	32pcs
H		ø18	15pcs
I		ø8 x 25	25pcs
J		ø16	6pcs
K		Glue: For securing please apply to wood dowel first before inserting into panel	1pc

ASSEMBLY INSTRUCTION

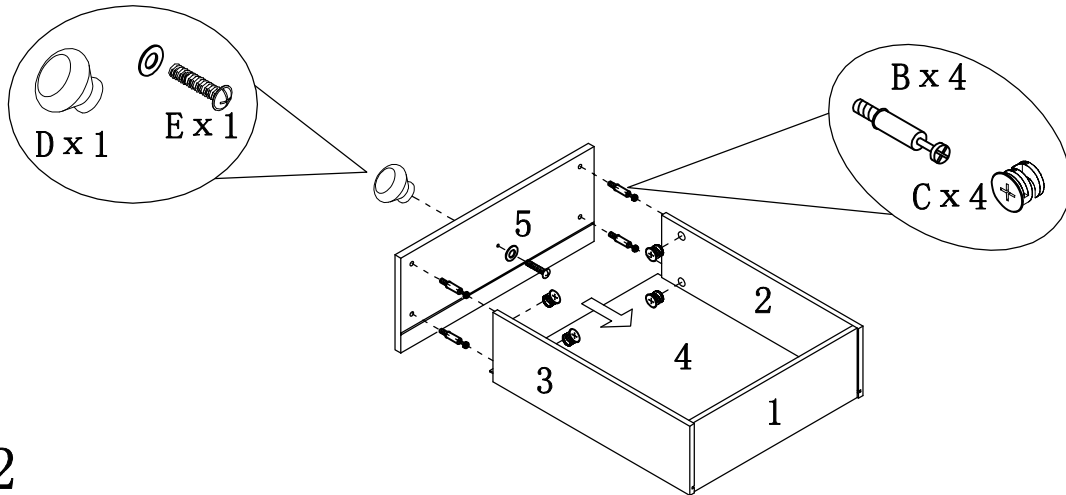


STEP1

PAGE:3 OF 6

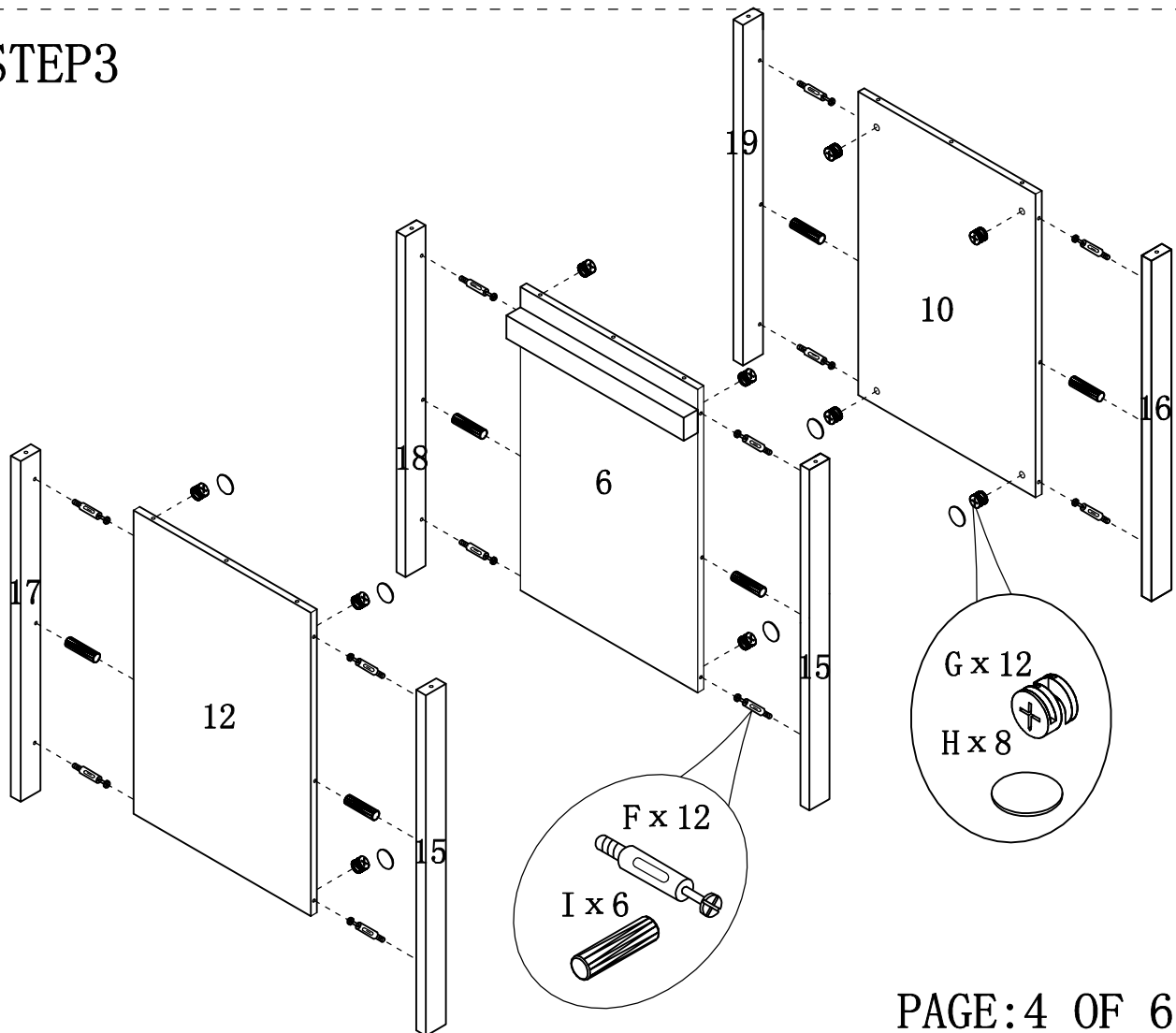
ASSEMBLY INSTRUCTION

ITEM#: CD29254BE、CD29254CB、
CD29254LCH、CD29254WH、CD29254RC



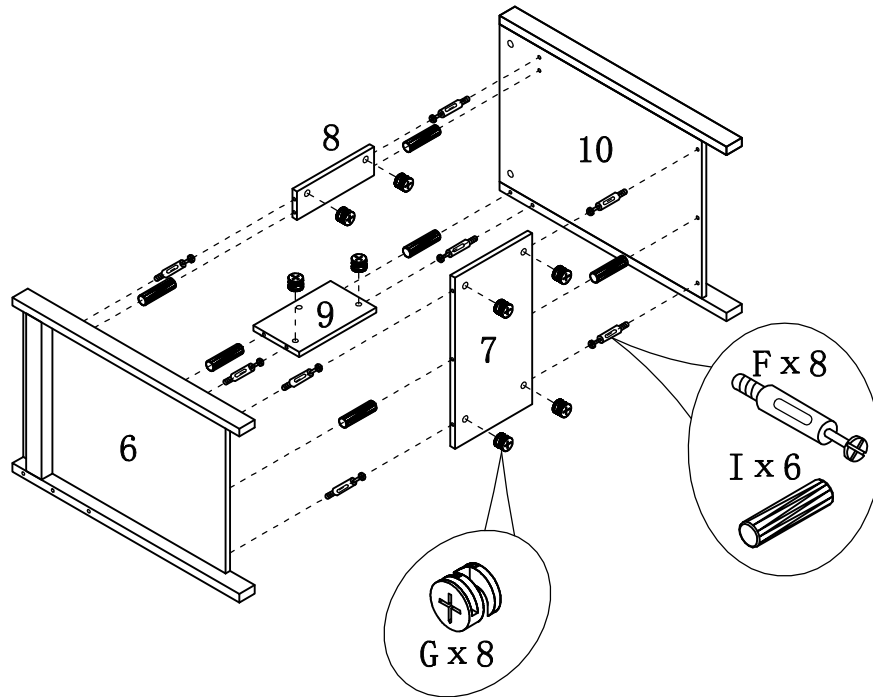
STEP2

STEP3



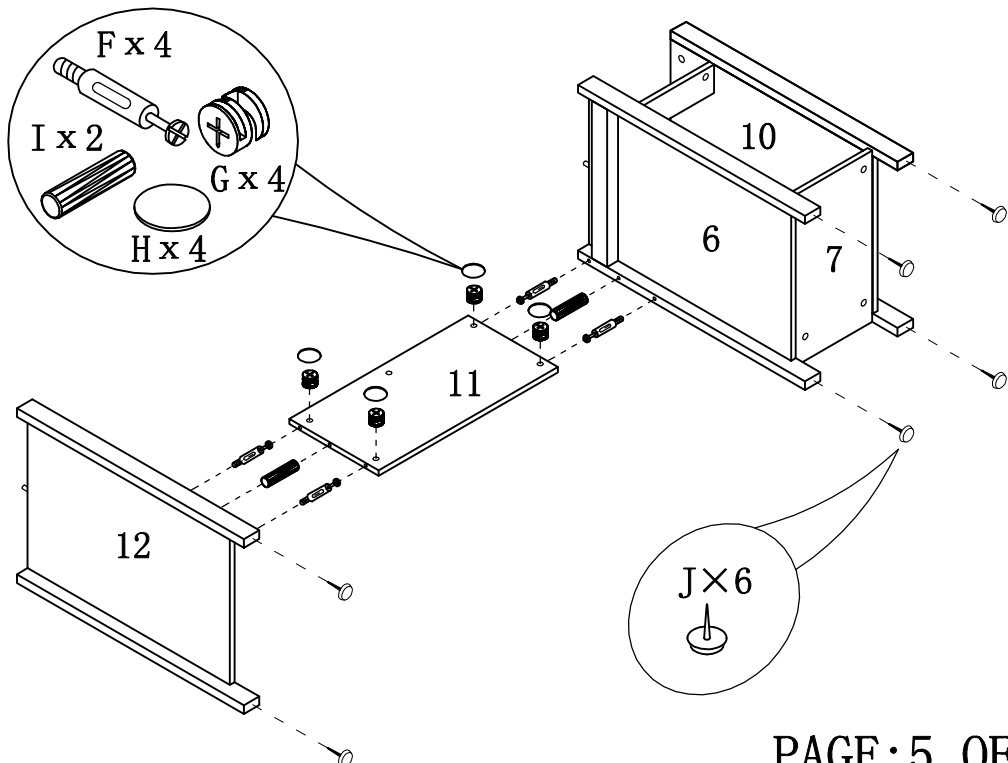
ASSEMBLY INSTRUCTION

ITEM#: CD29254BE、CD29254CB、
CD29254LCH、CD29254WH、CD29254RC



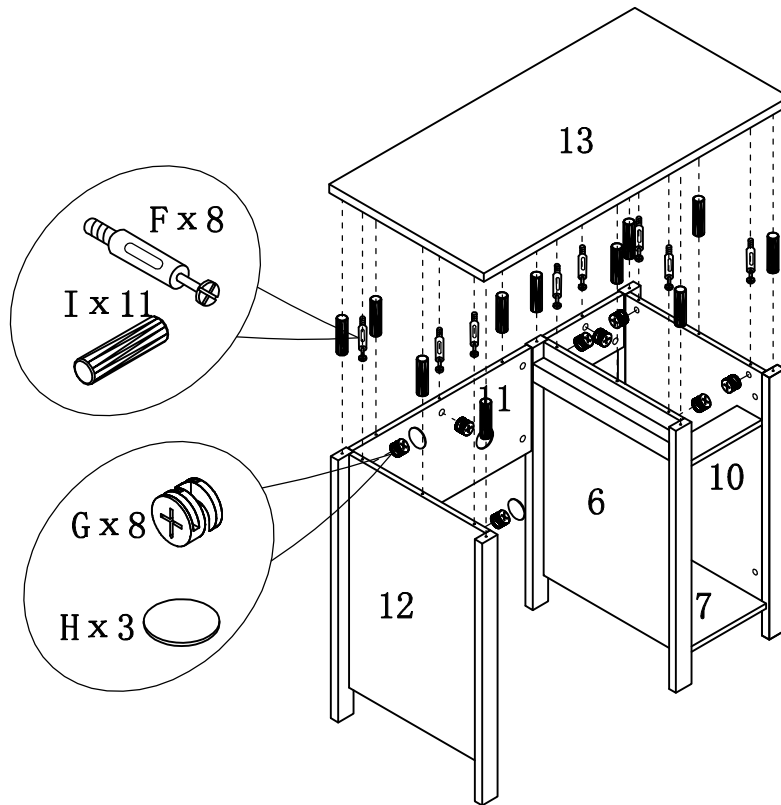
STEP4

STEP5



ASSEMBLY INSTRUCTION

ITEM#: CD29254BE、CD29254CB、
CD29254LCH、CD29254WH、CD29254RC



STEP6

STEP7

