

# ASSEMBLY INSTRUCTION

---

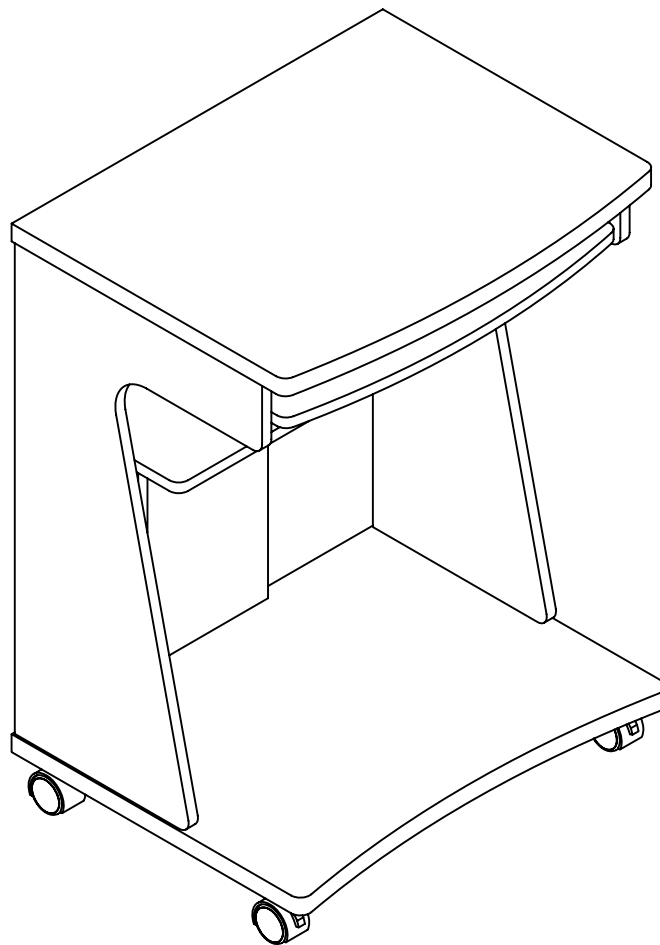
## **PLEASE READ BEFORE ASSEMBLING!**

Tip #1: Make sure you've taken all the pieces and hardware out of its packaging before discarding the box.

Tip #2: Using page 2 and/or page 3 of instruction manual make sure all pieces and hardware are accounted for.

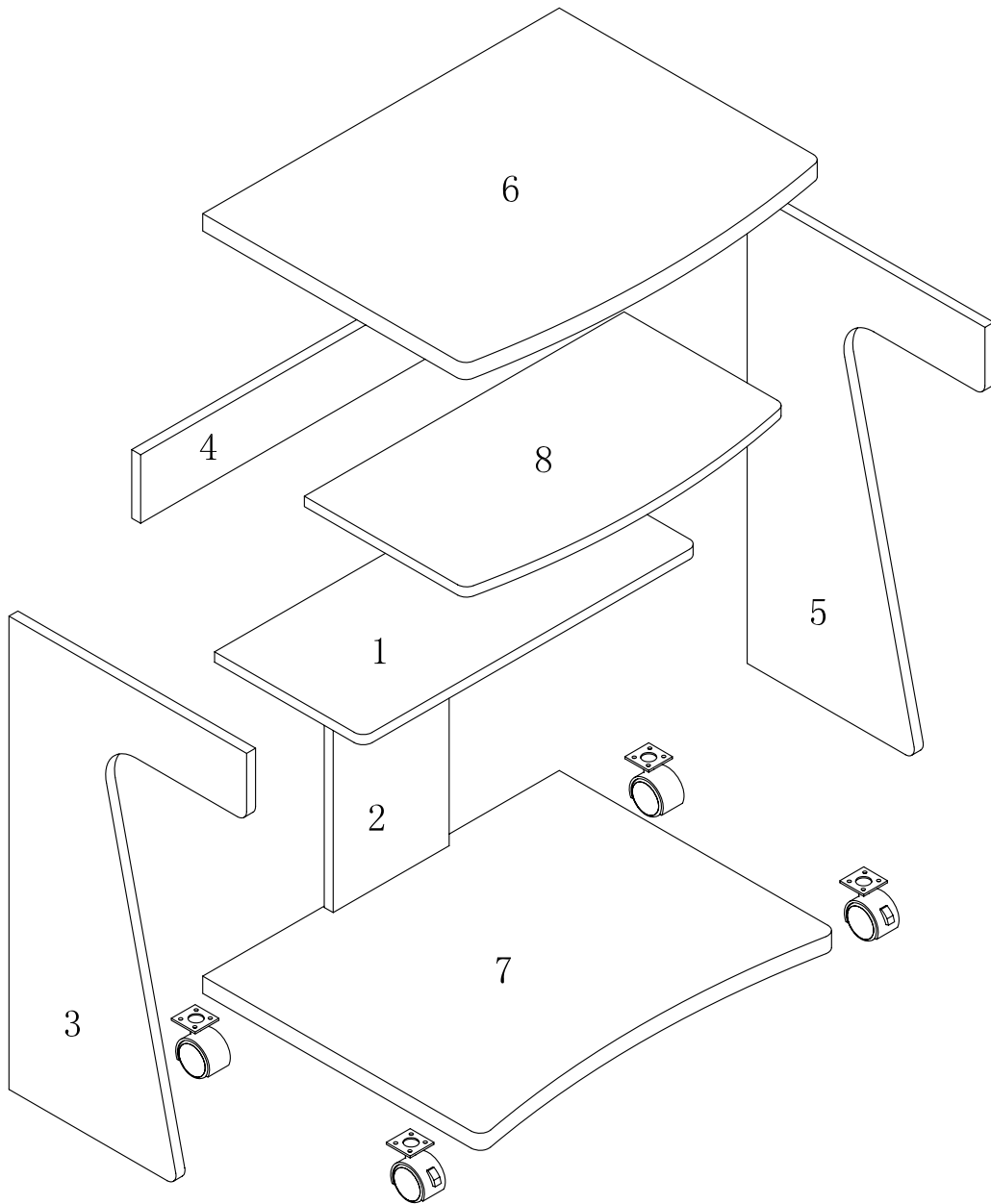
Tip #3: Read manual before assembling, it helps!

ITEM#: ES-180



# PARTS IDENTIFICATION


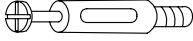
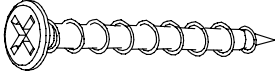



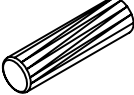
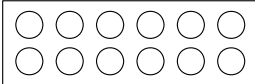

ITEM#: ES-180



(1)	1pc	(5)	1pc
(2)	1pc	(6)	1pc
(3)	1pc	(7)	1pc
(4)	1pc	(8)	1pc

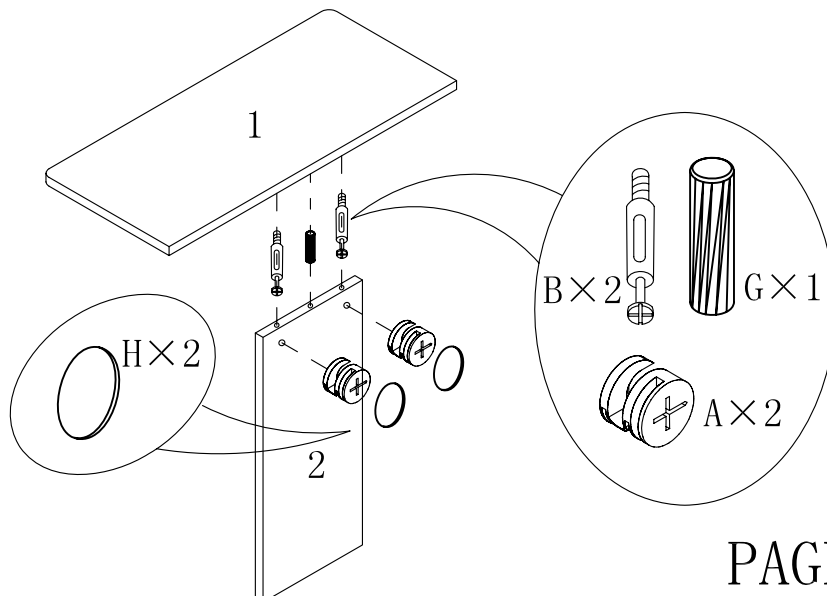
# HARDWARE IDENTIFICATION

ITEM#: ES-180

A		$\phi 15$	12pcs
B		L29	12pcs
C		$\phi 4.2 \times 65$	6pcs
D		H50	2pcs
E		$\phi 4 \times 16$	16pcs
F		H50	2pcs
G		$\phi 8 \times 25$	14pcs
H		$\phi 18$	12pcs
I		It's used for stick the stopper to the connecting hole firmly	1pc

# ASSEMBLY INSTRUCTION

ITEM#: ES-180

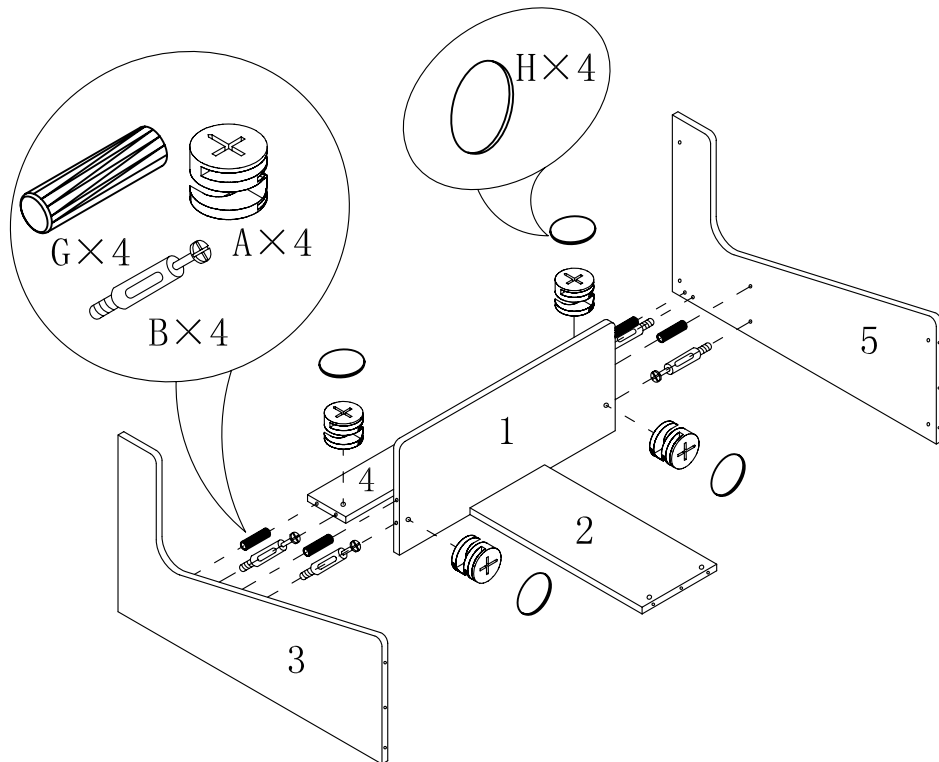


STEP1

PAGE: 3 OF 5

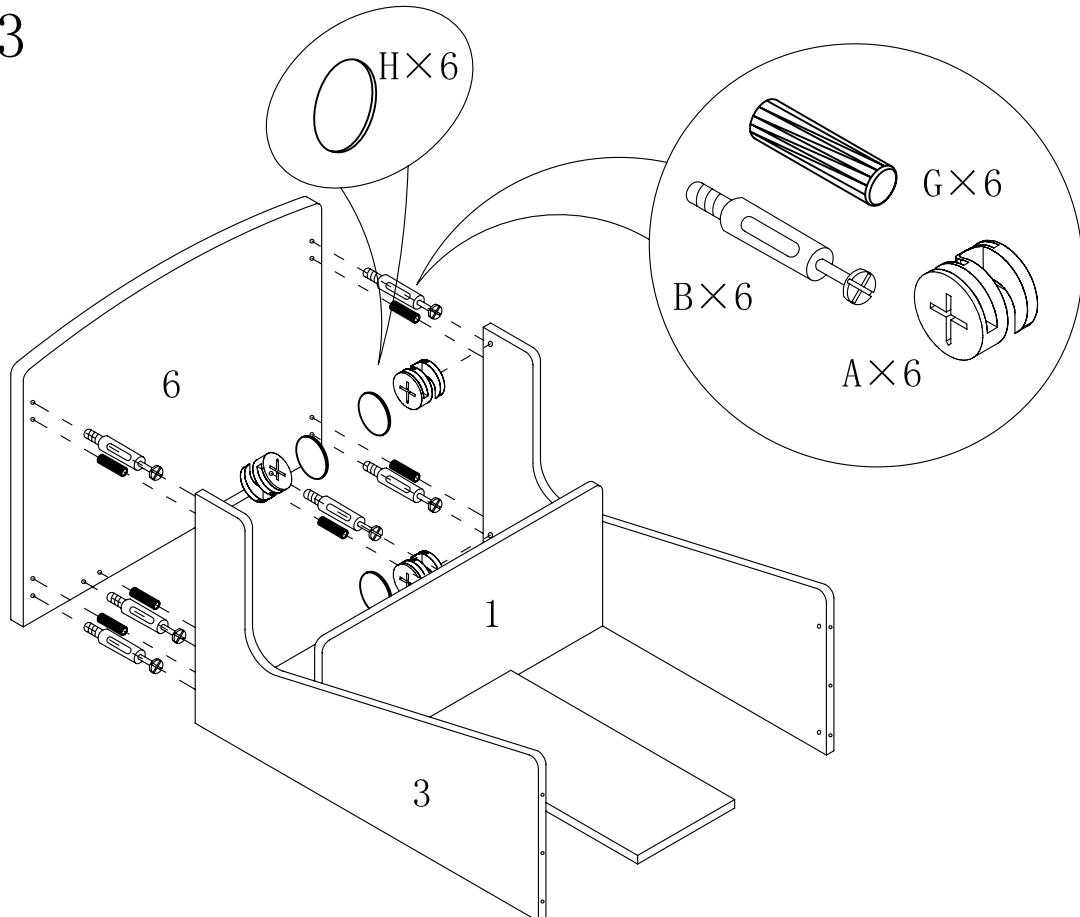
# ASSEMBLY INSTRUCTION

ITEM#: ES-180



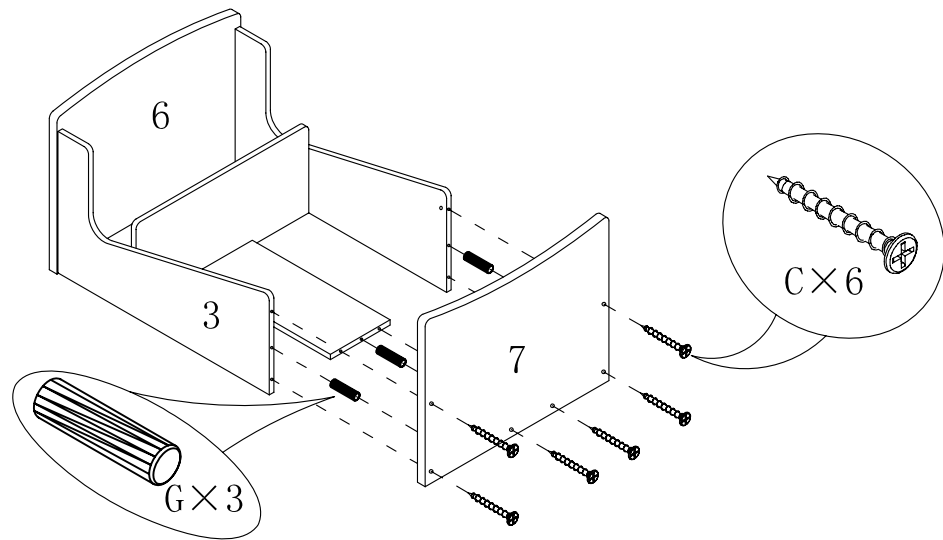
STEP2

STEP3

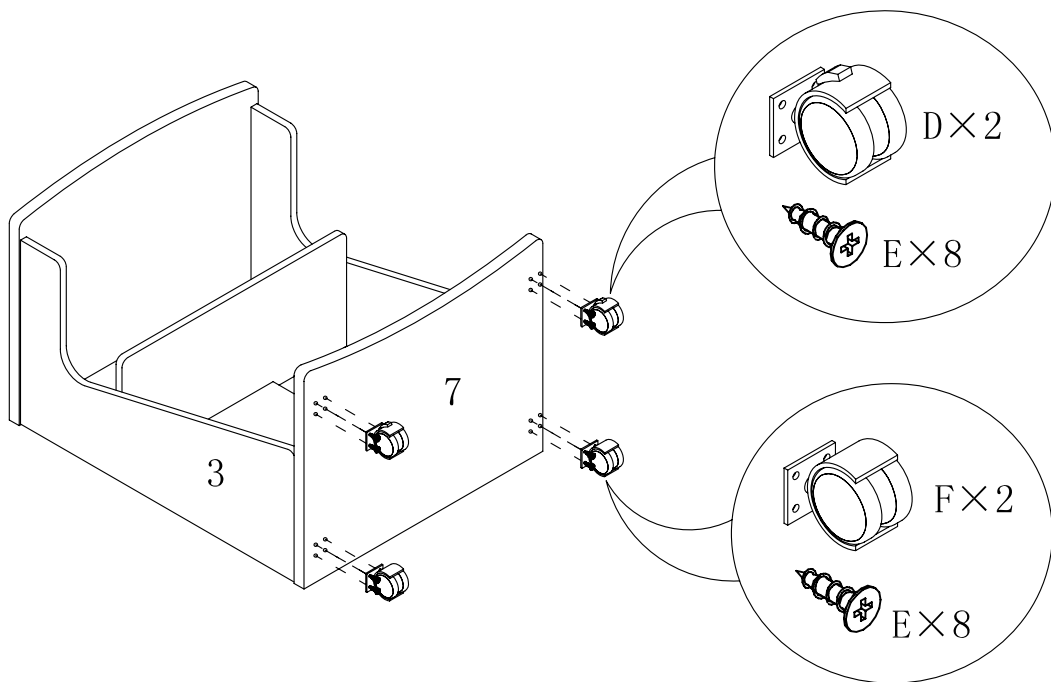


# ASSEMBLY INSTRUCTION

ITEM#: ES-180



STEP 5



STEP 6

