

# ASSEMBLY INSTRUCTION

---

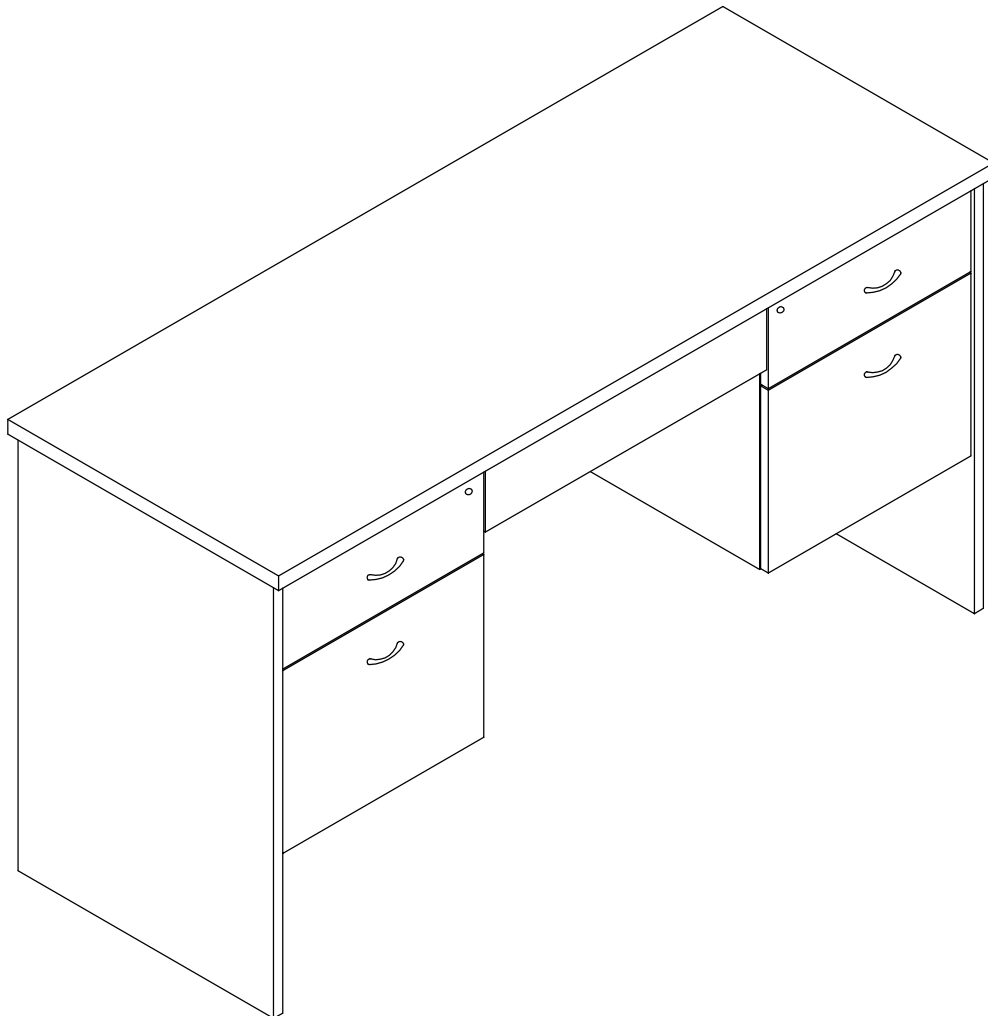
## **PLEASE READ BEFORE ASSEMBLING!**

Tip #1: Make sure you've taken all the pieces and hardware out of its packaging before discarding the box.

Tip #2: Using page 2 and/or page 3 of instruction manual make sure all pieces and hardware are accounted for.

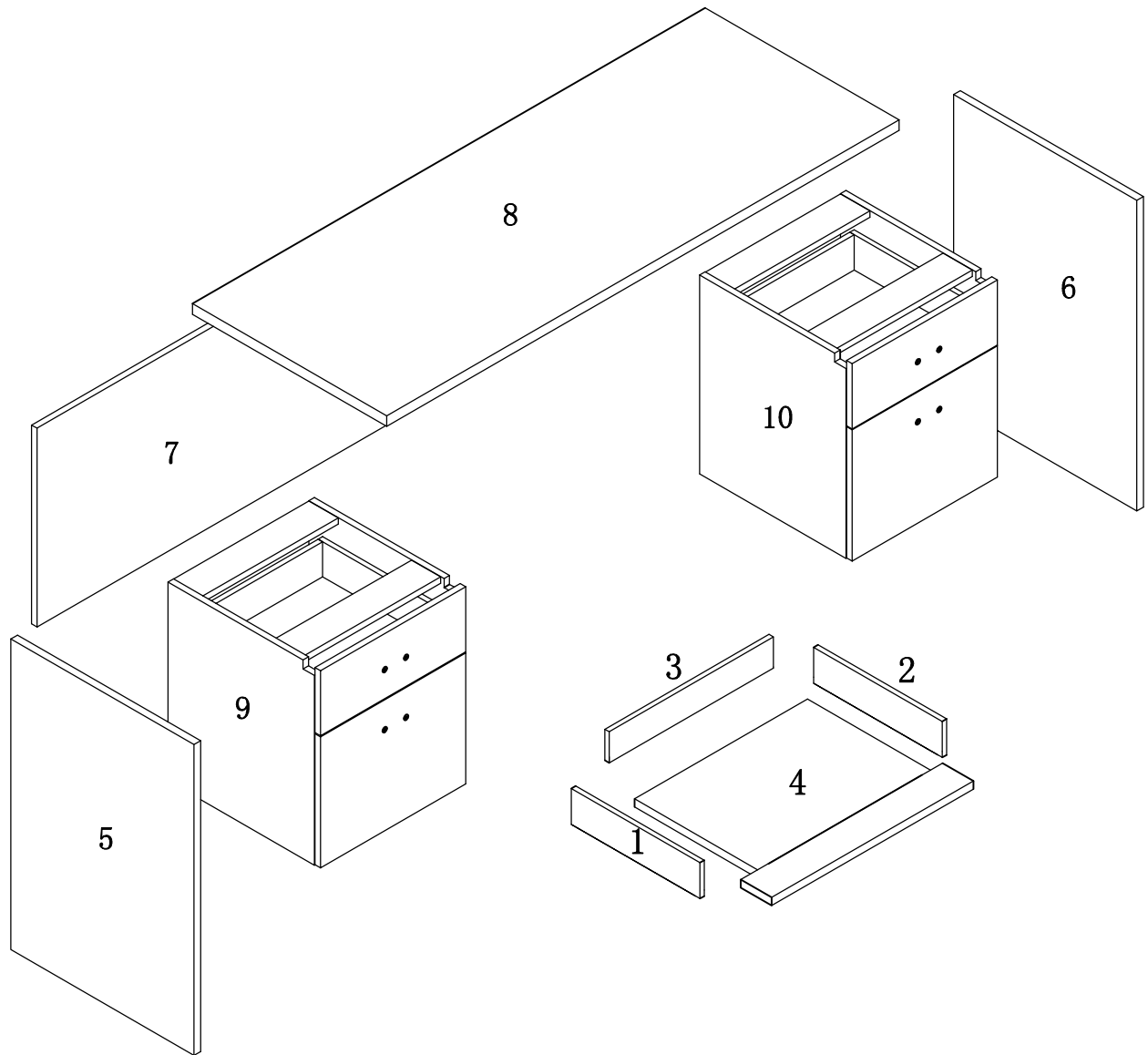
Tip #3: Read manual before assembling, it helps!

ITEM#: CD-1416RC



# PARTS IDENTIFICATION

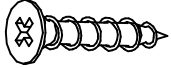
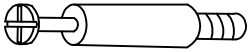

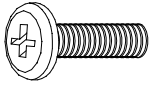
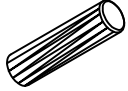

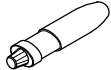
ITEM#: CD-1416RC



(1)	1pc	(7)	1pc
(2)	1pc	(8)	1pc
(3)	1pc	(9)	1pc
(4)	1pc	(10)	1pc
(5)	1pc		
(6)	1pc		

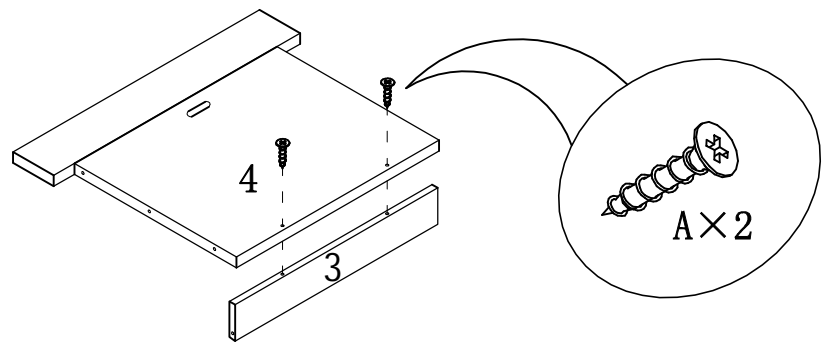
# HARDWARE IDENTIFICATION

ITEM#: CD-1416RC

A		$\phi 4 \times 30$	8pcs
B		L29	10pcs
C		$\phi 15$	10pcs
D		$\phi 6 \times 30$	16pcs
E		$\phi 8 \times 25$	13pcs
F		$\phi 16$	4pcs
G		Glue: For securing please apply to wood dowel first before inserting into panel	1pc

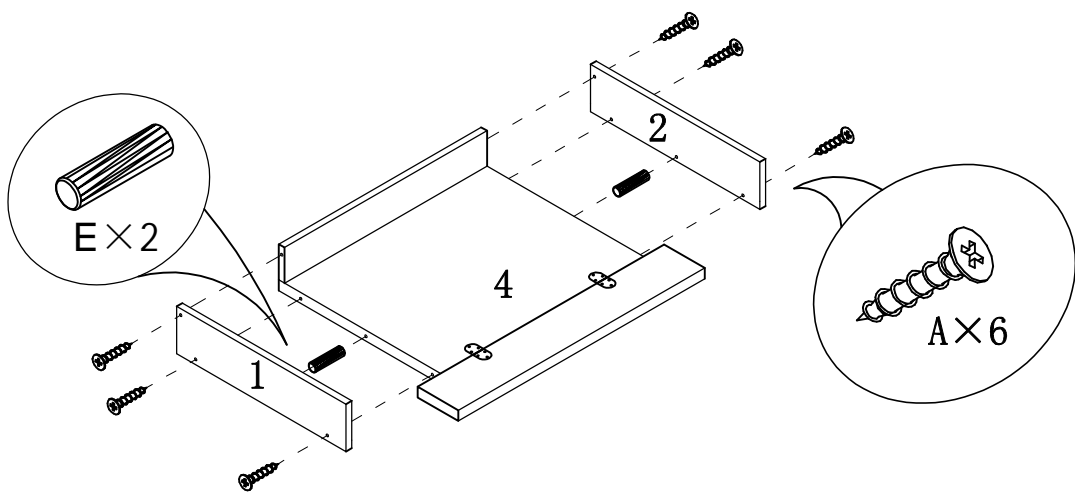
# ASSEMBLY INSTRUCTION

ITEM#: CD-1416RC



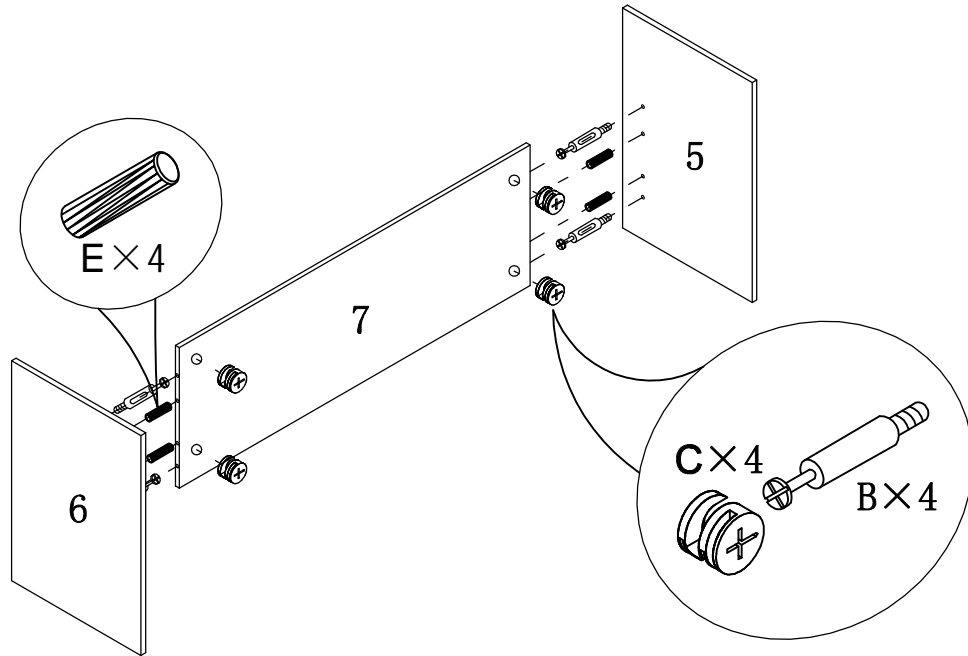
STEP1

STEP2



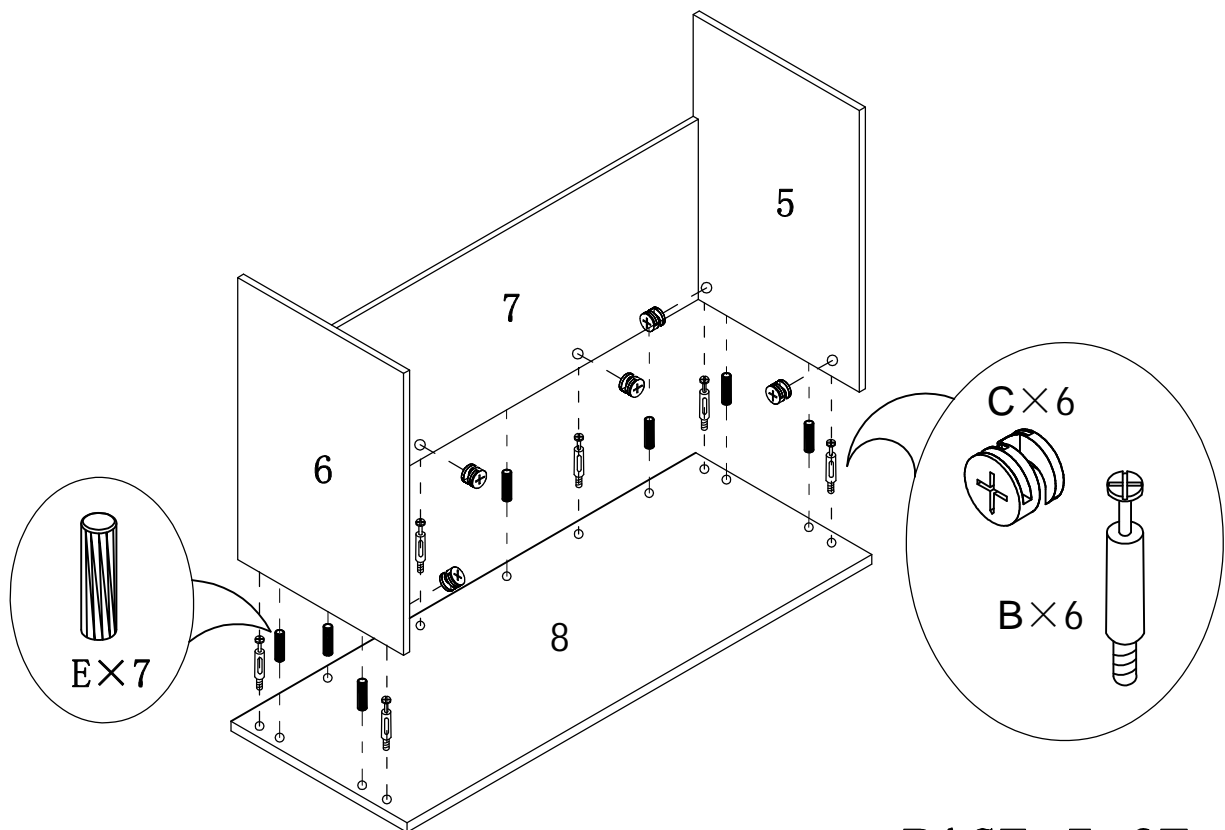
# ASSEMBLY INSTRUCTION

ITEM#: CD-1416RC



STEP 3

STEP 4



PAGE: 5 OF 6

