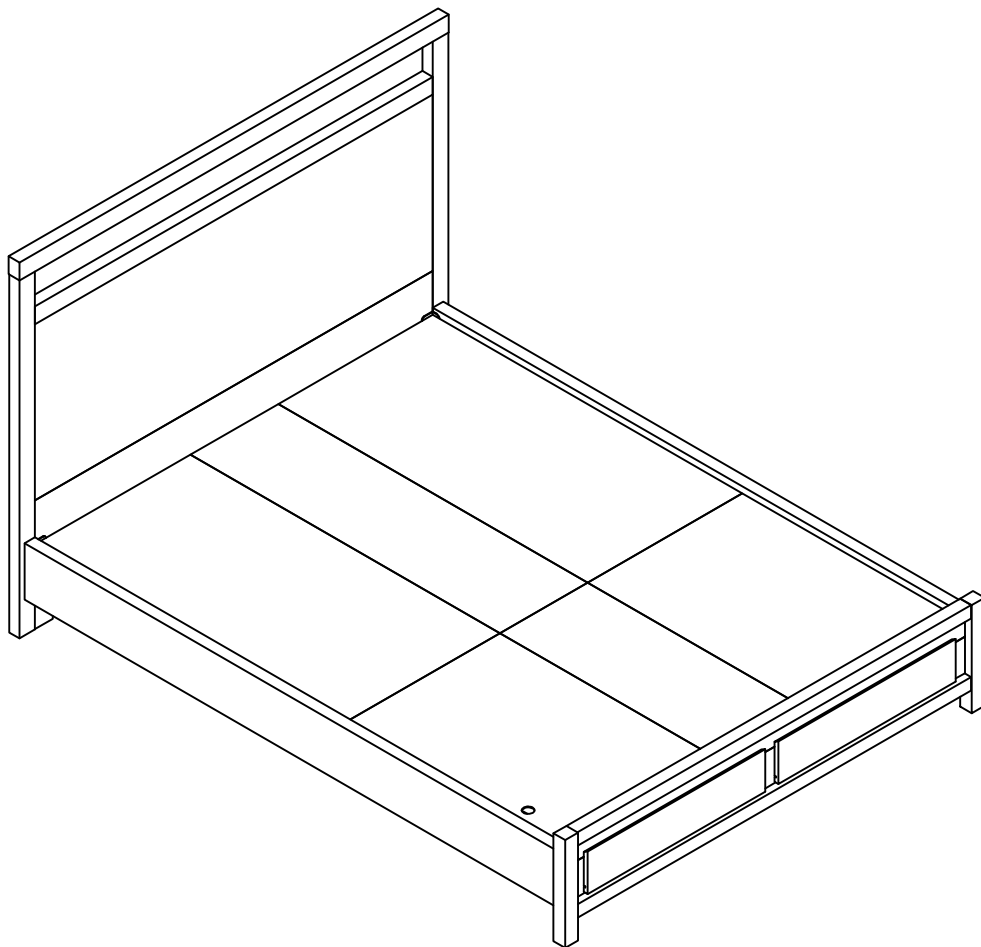


ASSEMBLY INSTRUCTION

ITEM#: B3901Q B3702Q B3902Q



ASSEMBLY INSTRUCTION

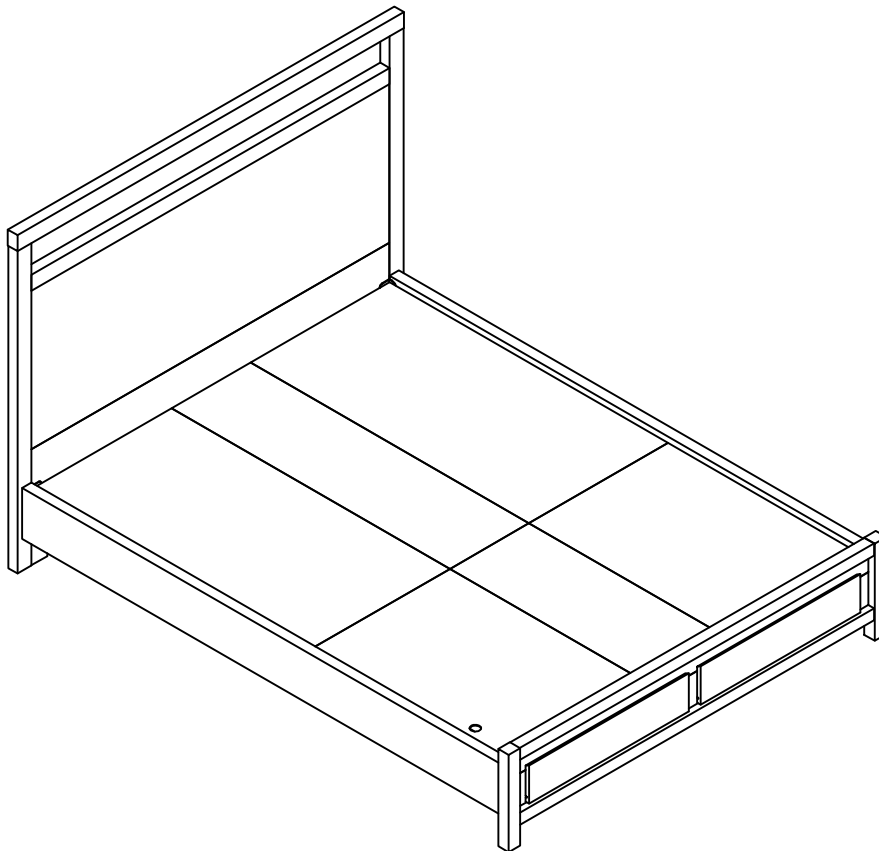
PLEASE READ BEFORE ASSEMBLING!

Tip #1: Make sure you've taken all the pieces and hardware out of its packaging before discarding the box. Assembly on top of flattened box/blanket is recommended.

Tip #2: Using page 2 and/or page 3 of instruction manual make sure all pieces and hardware are accounted for.

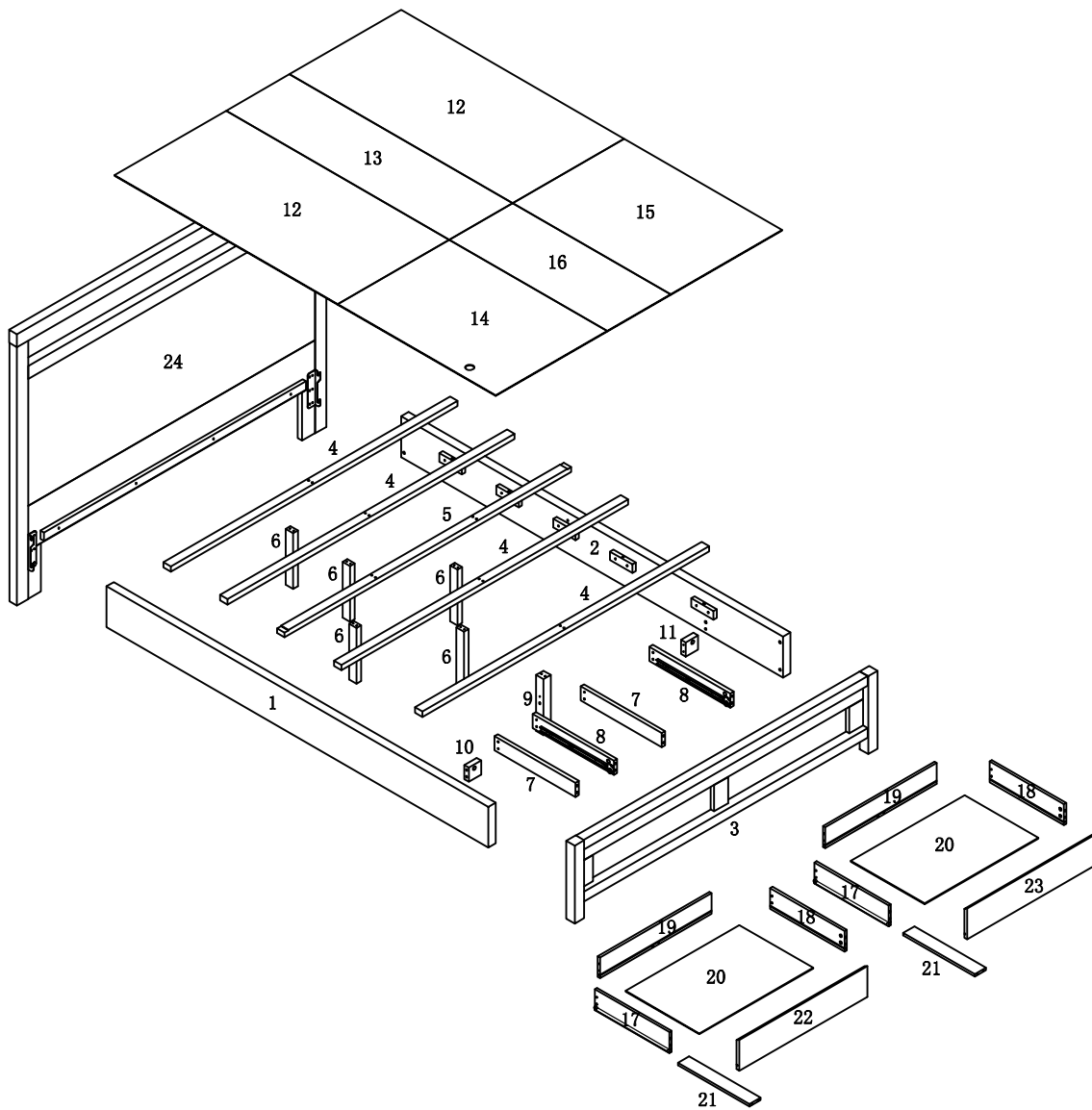
Tip #3: Note position of all holes on each panel during assembly.

ITEM#: B3901Q B3702Q B3902Q



PARTS IDENTIFICATION






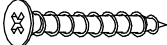

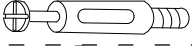

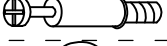

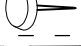

ITEM#: B3901Q B3702Q B3902Q



(1)	1pc	(7)	2pcs	(13)	1pc	(19)	2pcs
(2)	1pc	(8)	2pcs	(14)	1pc	(20)	2pcs
(3)	1pc	(9)	1pc	(15)	1pc	(21)	2pcs
(4)	4pcs	(10)	1pc	(16)	1pc	(22)	1pc
(5)	1pc	(11)	1pc	(17)	2pcs	(23)	1pc
(6)	5pcs	(12)	2pcs	(18)	2pcs	(24)	1pc

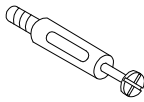

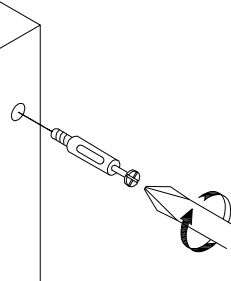
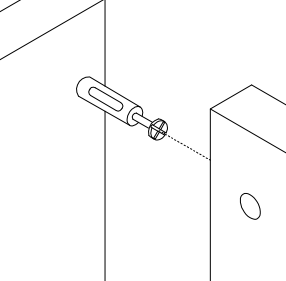
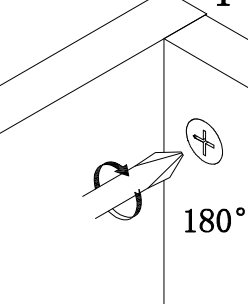
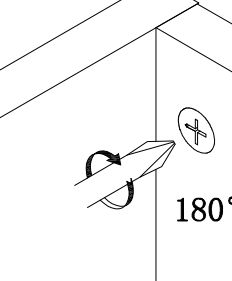
HARDWARE IDENTIFICATION

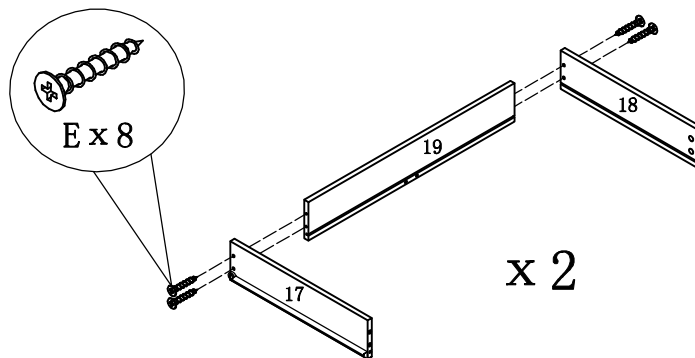
ITEM#: B3901Q B3702Q B3902Q

A		M6x15	8pcs
B		ø8x25	6pcs
C		ø6x30	12pcs
D		ø4x16	2pcs
E		ø4x30	20pcs
F		ø4x50	12pcs
G			2pcs
H		L29	6pcs
I		ø15	6pcs
J		L20	8pcs
K		ø12	8pcs
L		ø25	4pcs
M		Glue: For securing please apply to wood dowel first before inserting into panel	1pc

ASSEMBLY INSTRUCTION

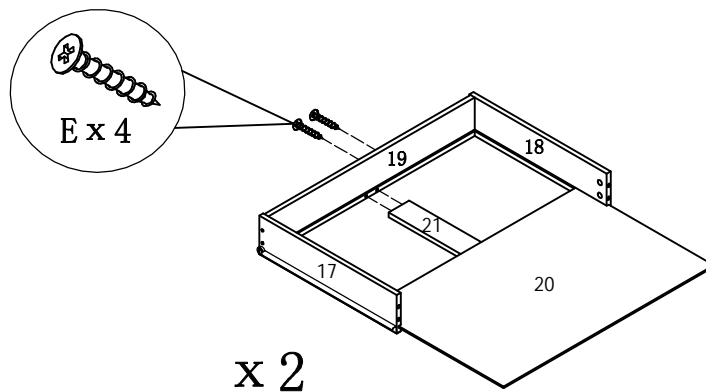
ITEM#: B3901Q B3702Q B3902Q

HOW TO	1	2	3	4
 Cam Bolt  Cam Lock				
	1. Screw Cam Bolt into panel.	2. Insert Cam Bolt into bolt hole of joining panel.	3. Insert Cam Lock. arrow facing bolt.	4. Gently turn Cam Lock clockwise to lock position.



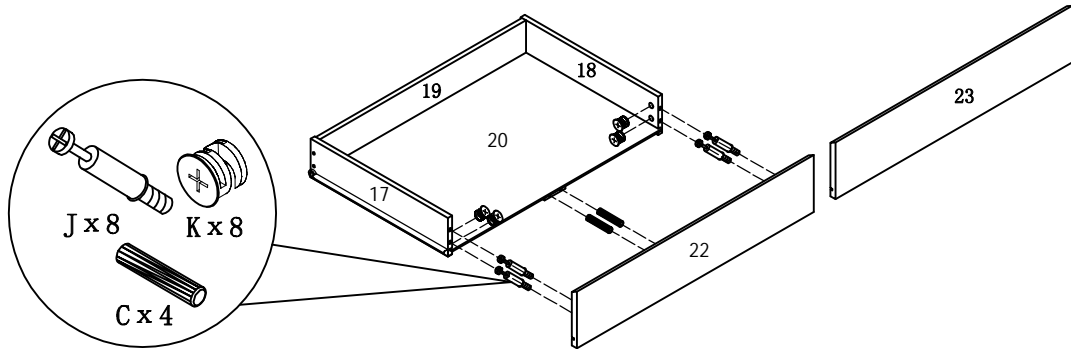
STEP 1

STEP 2



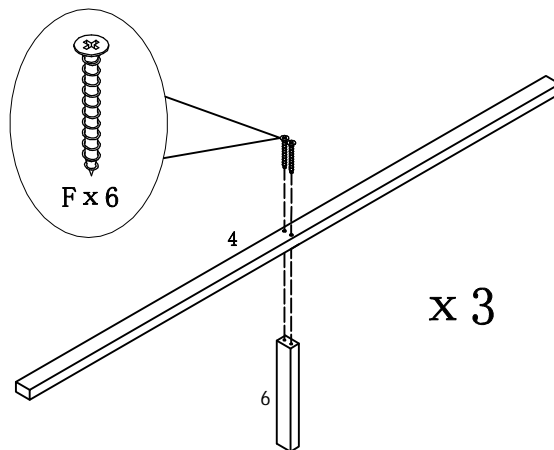
ASSEMBLY INSTRUCTION

ITEM#: B3901Q B3702Q B3902Q

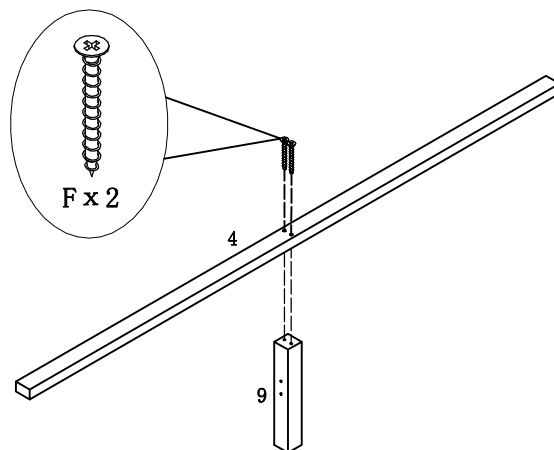


STEP3

STEP4

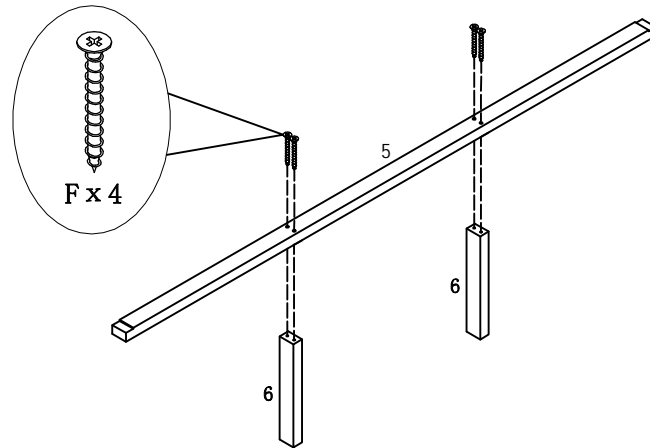


STEP5



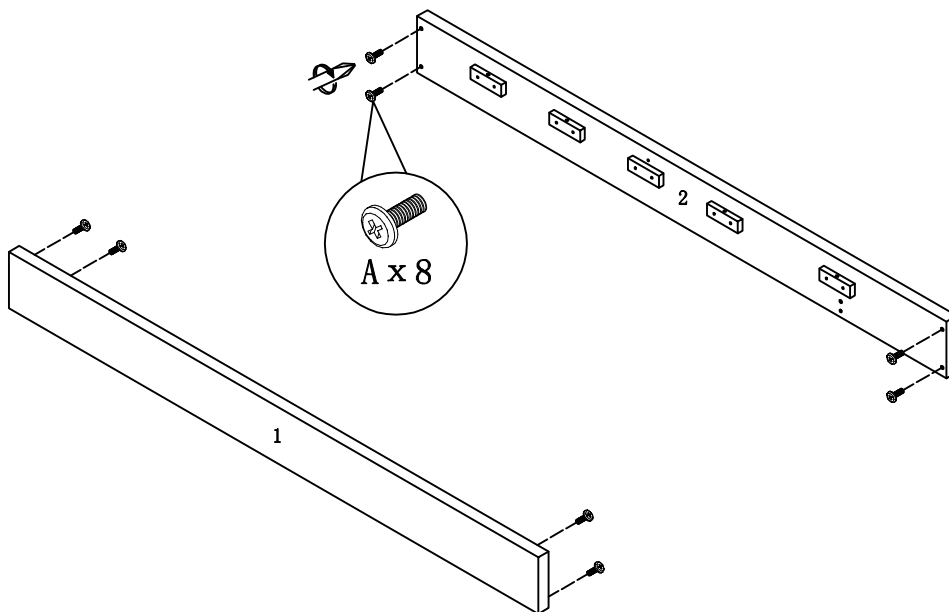
ASSEMBLY INSTRUCTION

ITEM#: B3901Q B3702Q B3902Q



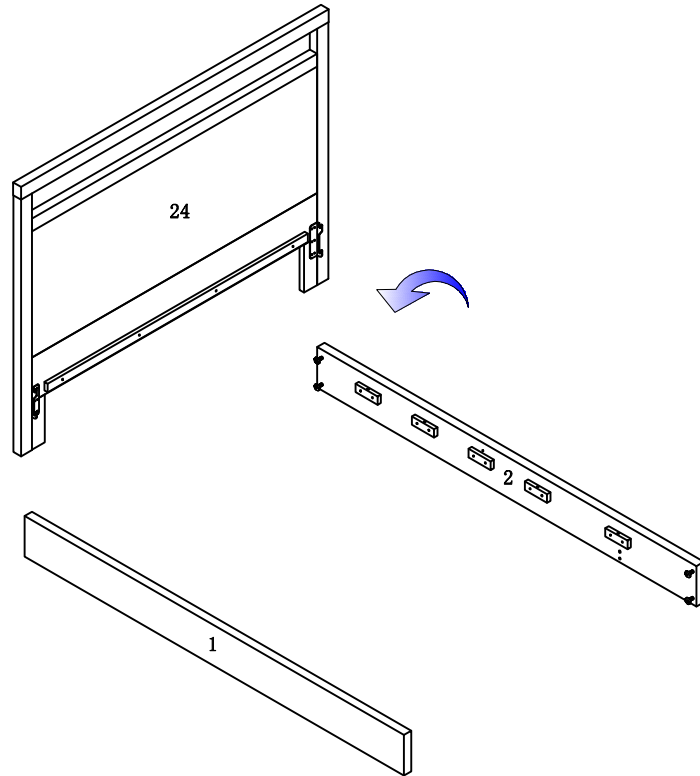
STEP6

STEP7



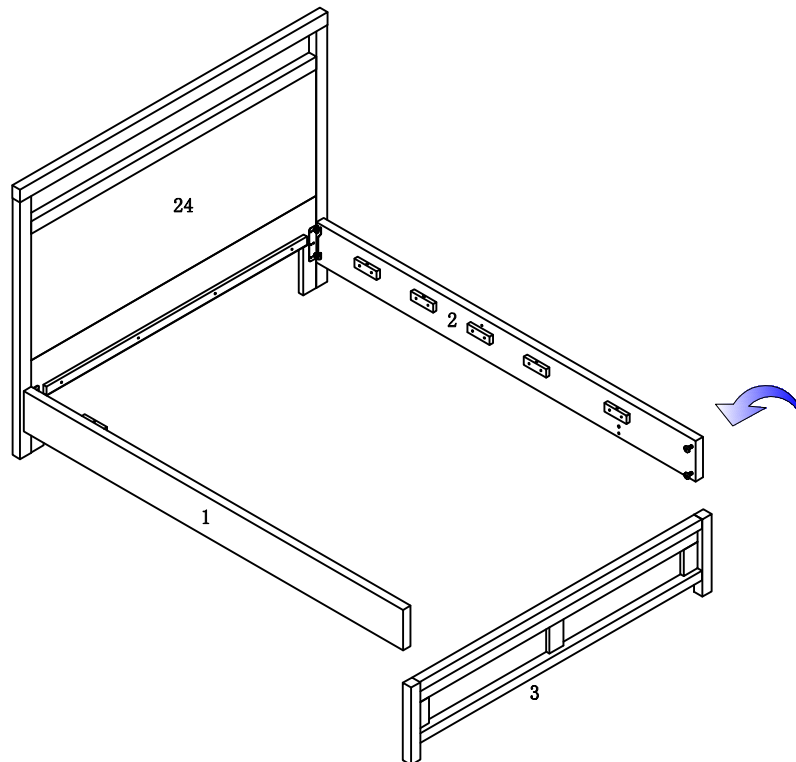
ASSEMBLY INSTRUCTION

ITEM#: B3901Q B3702Q B3902Q



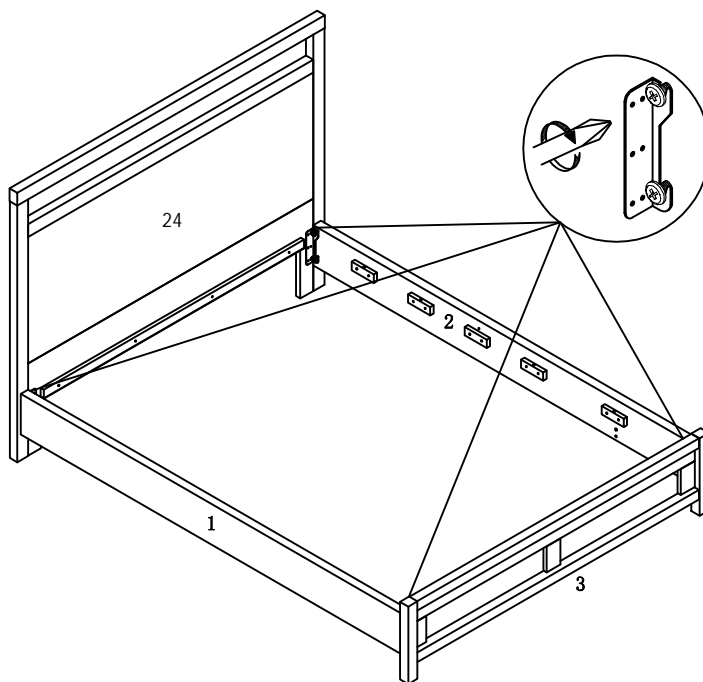
STEP8

STEP9



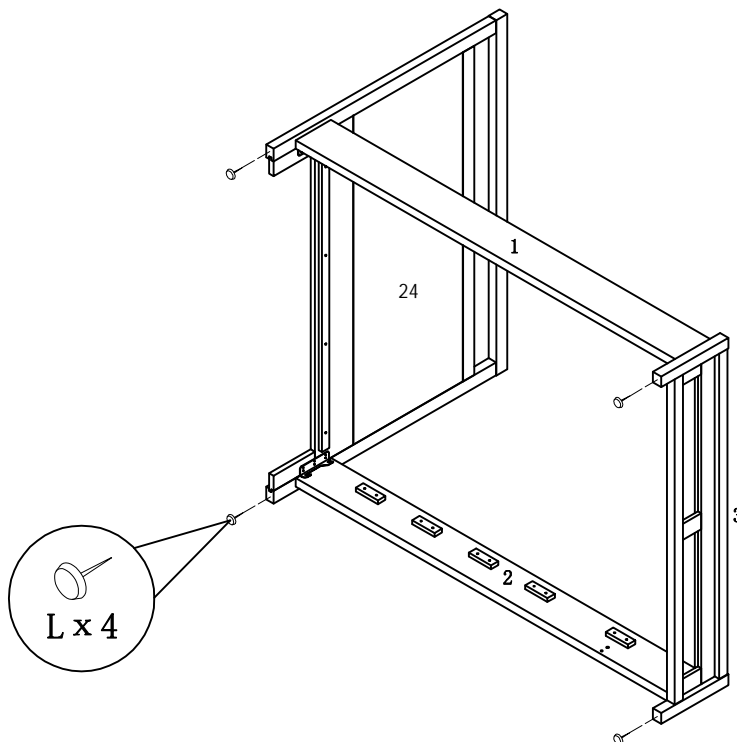
ASSEMBLY INSTRUCTION

ITEM#: B3901Q B3702Q B3902Q



STEP10

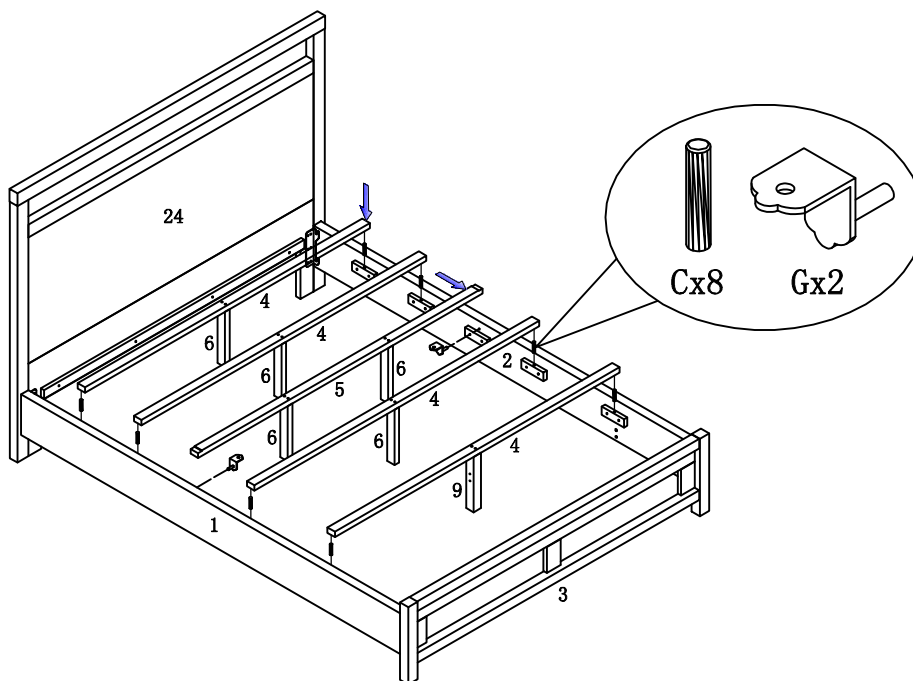
STEP11



L x 4

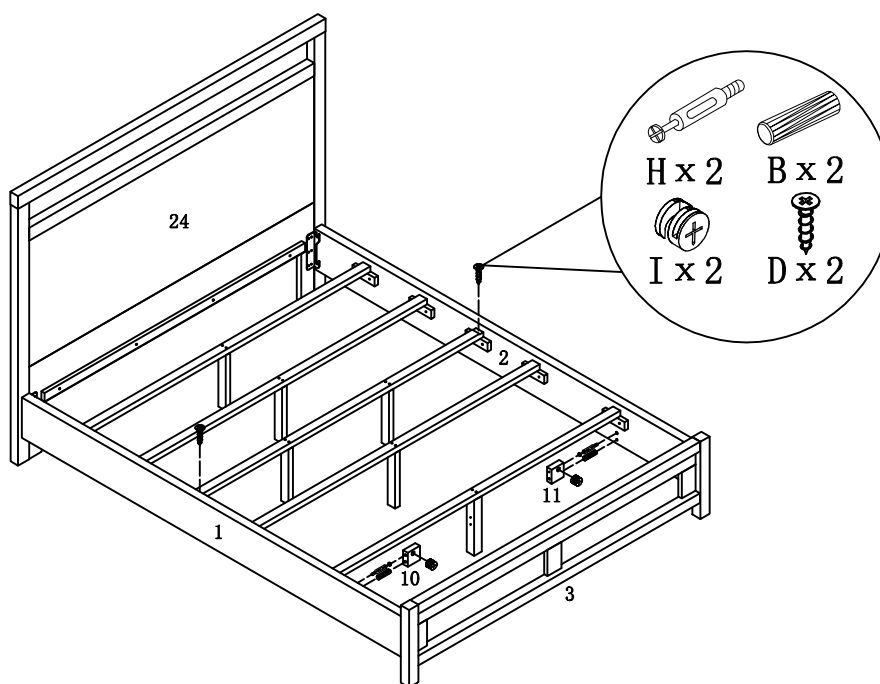
ASSEMBLY INSTRUCTION

ITEM#: B3901Q B3702Q B3902Q



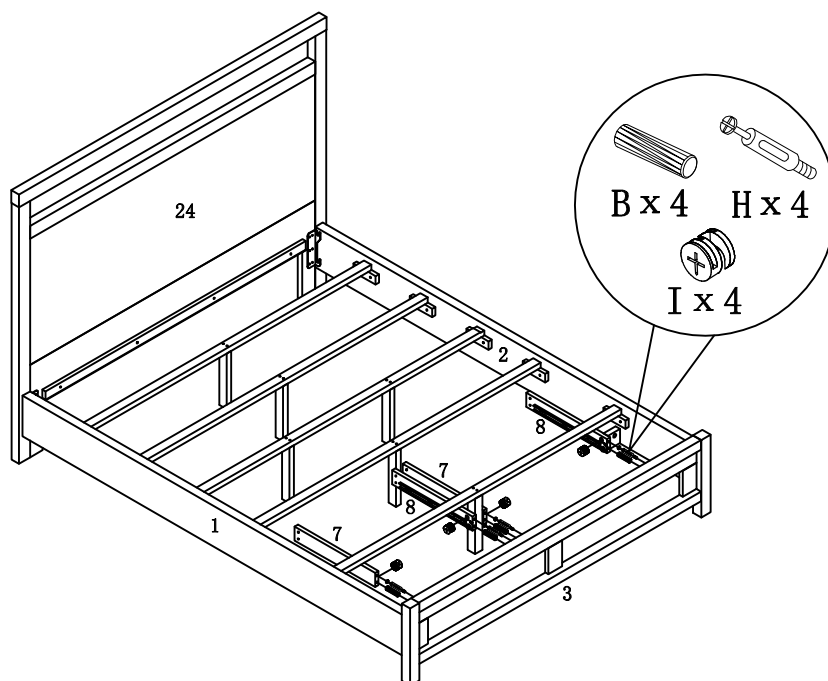
STEP12

STEP13



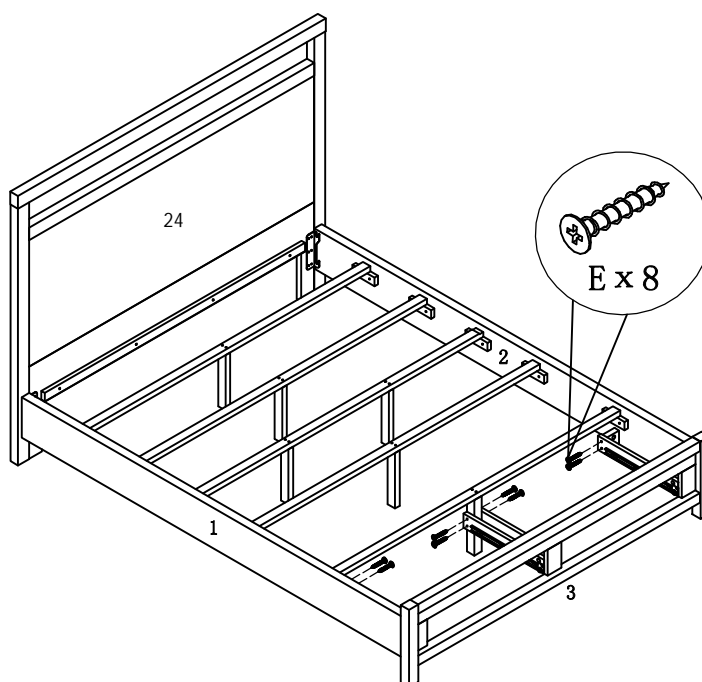
ASSEMBLY INSTRUCTION

ITEM#: B3901Q B3702Q B3902Q



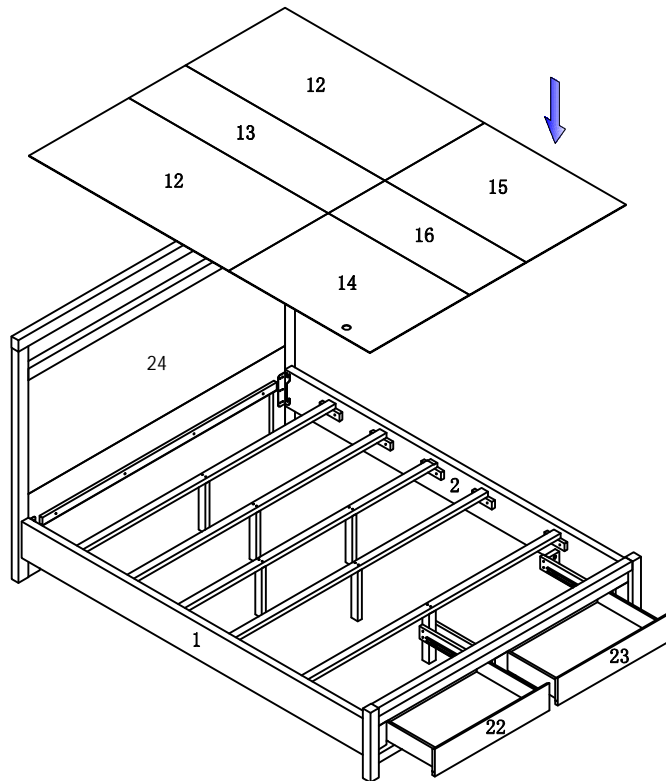
STEP14

STEP15



ASSEMBLY INSTRUCTION

ITEM#: B3901Q B3702Q B3902Q



STEP 16

STEP 17

