

# ASSEMBLY INSTRUCTION

---

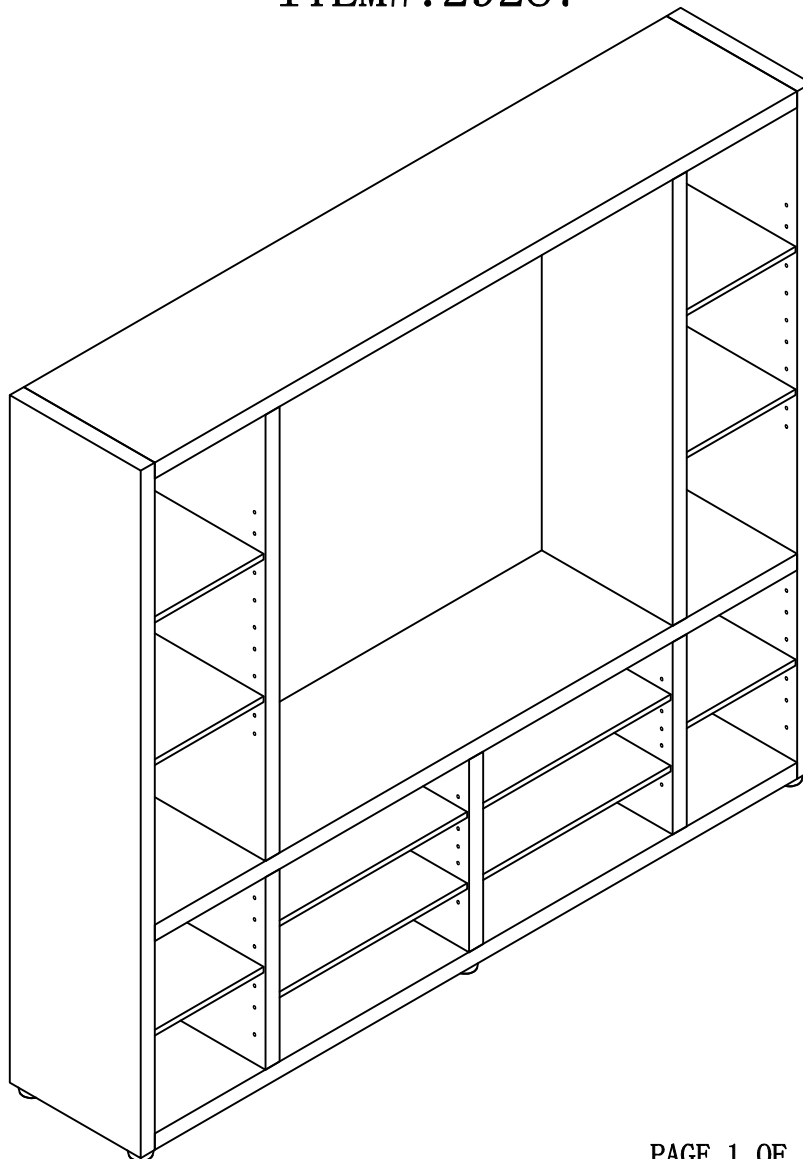
## PLEASE READ BEFORE ASSEMBLING!

Tip #1: Make sure you've taken all the pieces and hardware out of its packaging before discarding the box. Assembly on top of flattened box/blanket is recommended.

Tip #2: Using page 2 and/or page 3 of instruction manual make sure all pieces and hardware are accounted for.

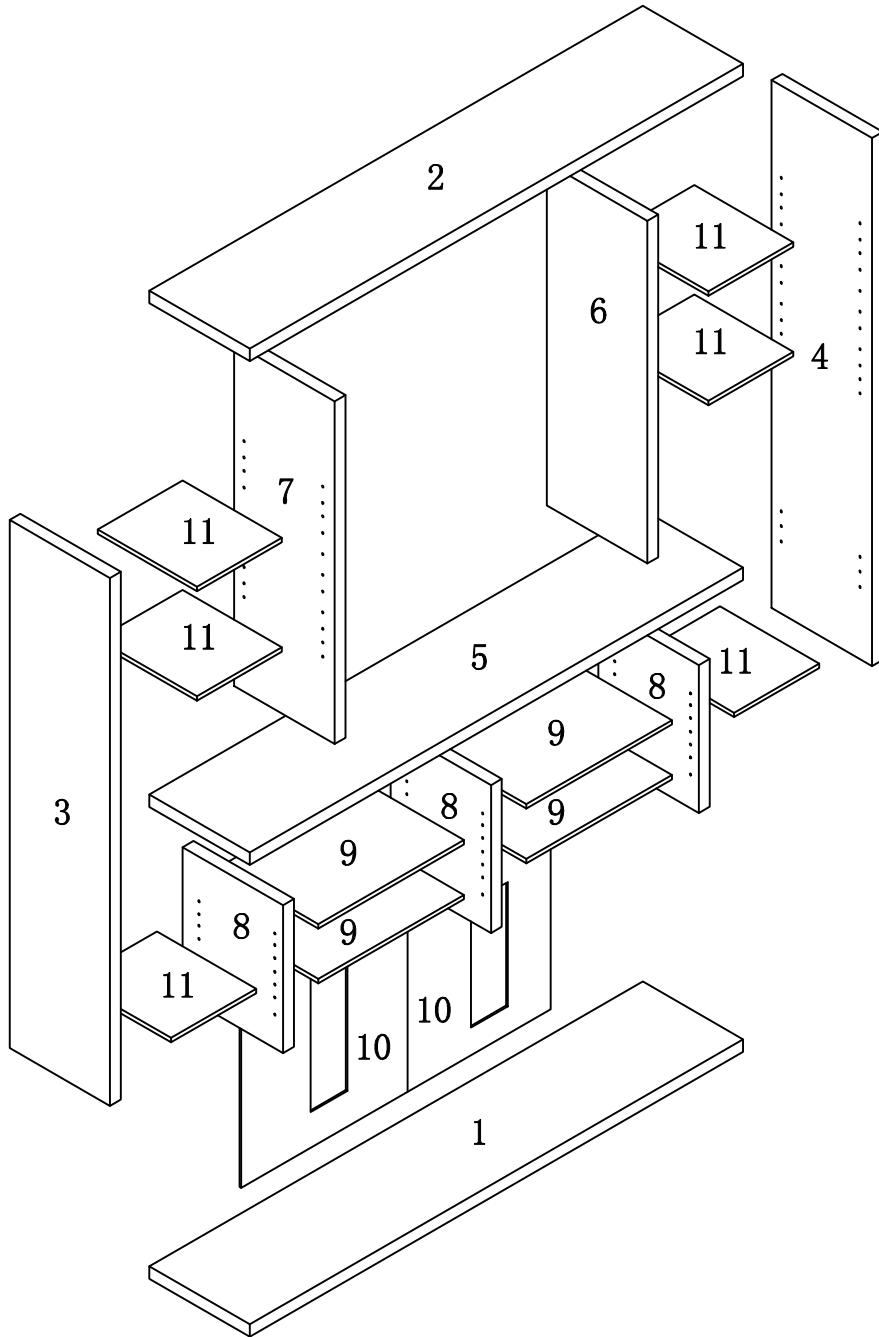
Tip #3: Note position of all holes on each panel during assembly.

ITEM#: 29287



# ASSEMBLY INSTRUCTION



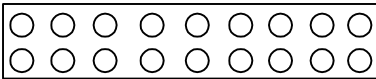

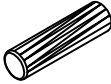
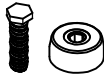



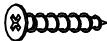
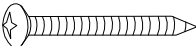
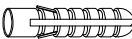


ITEM#: 29287



- |             |               |                |
|-------------|---------------|----------------|
| (1) 1pc/pce | (5) 1pc/pce   | (9) 4pcs/pces  |
| (2) 1pc/pce | (6) 1pc/pce   | (10) 2pcs/pces |
| (3) 1pc/pce | (7) 1pc/pce   | (11) 6pcs/pces |
| (4) 1pc/pce | (8) 3pcs/pces |                |

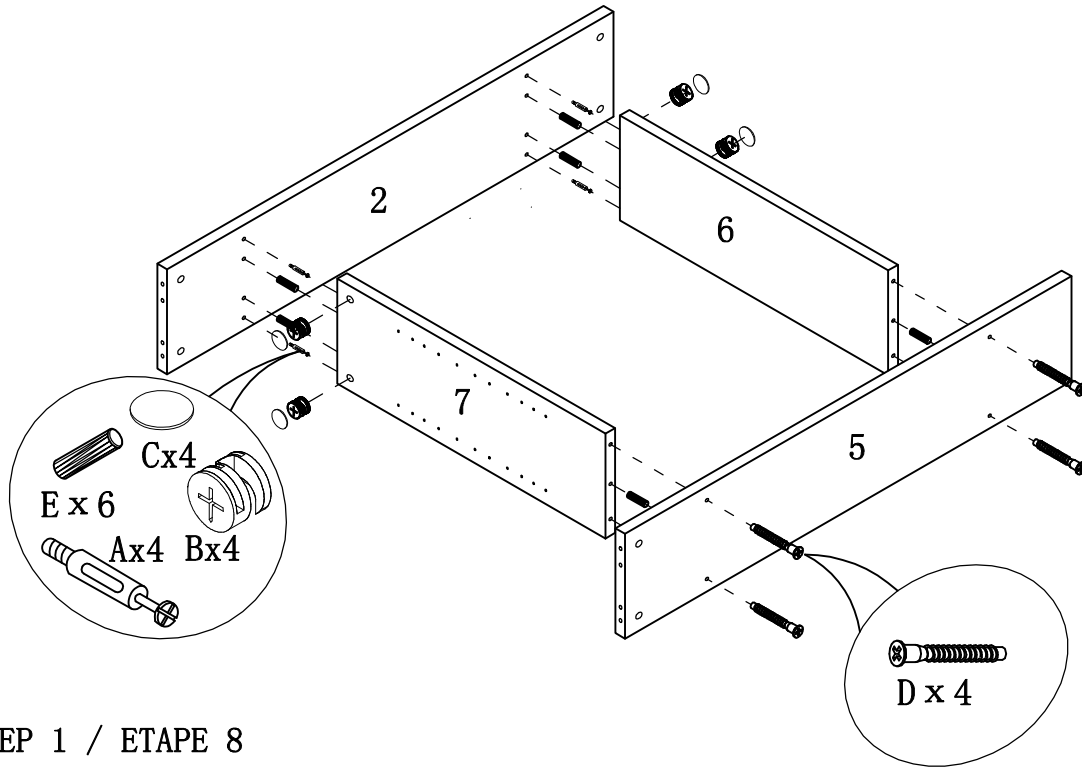
# ASSEMBLY INSTRUCTION

ITEM#: 29287

A		L29	22pcs/pces
B		$\Phi 15$	22pcs/pces
C		$\Phi 18$	18pcs/pces
D		$\Phi 7 \times 58$	10pcs/pces
E		$\Phi 8 \times 25$	30pcs/pces
F		$\Phi 55 \times 25H$	6pcs/pces
G		$\Phi 5 \times 14$	40pcs/pces
H			50pcs/pces
I			2pcs/pces
J		$\Phi 4 \times 25$	2pcs/pces
K		$\Phi 5 \times 40$	2pcs/pces
L		$\varnothing 8 \times 40$	2pcs/pces
M		$12 \times 12 \times 1$	4pcs/pces
N		To firmly secure the cover to the connecting hole / Pour coller la rondelle au trou de connexion	

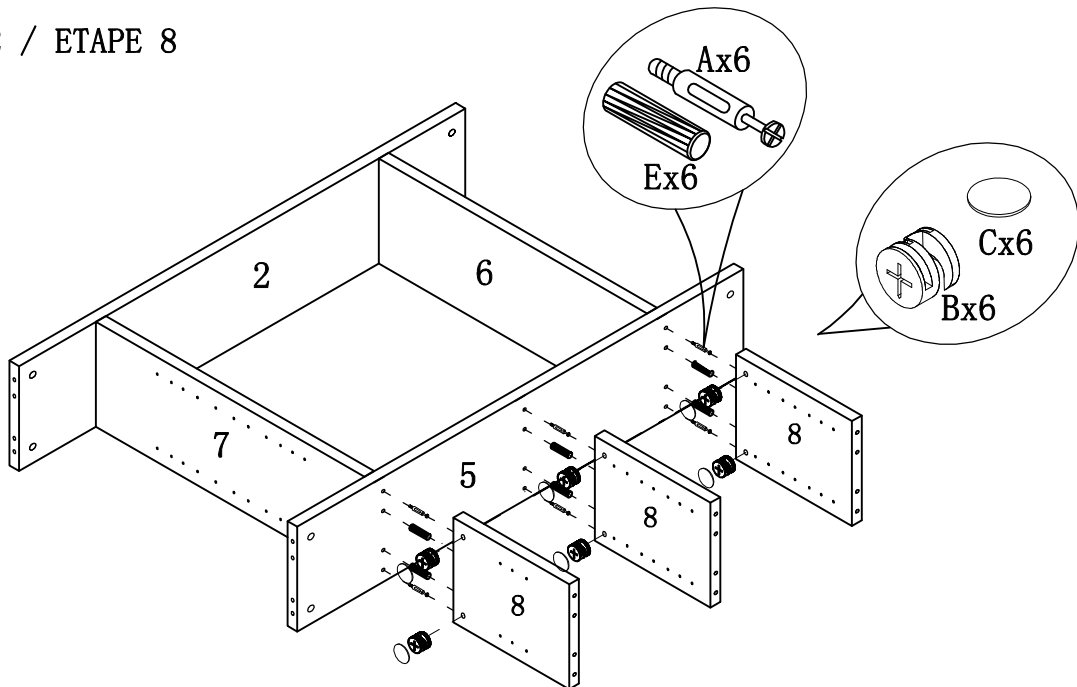
# ASSEMBLY INSTRUCTION

ITEM#: 29287



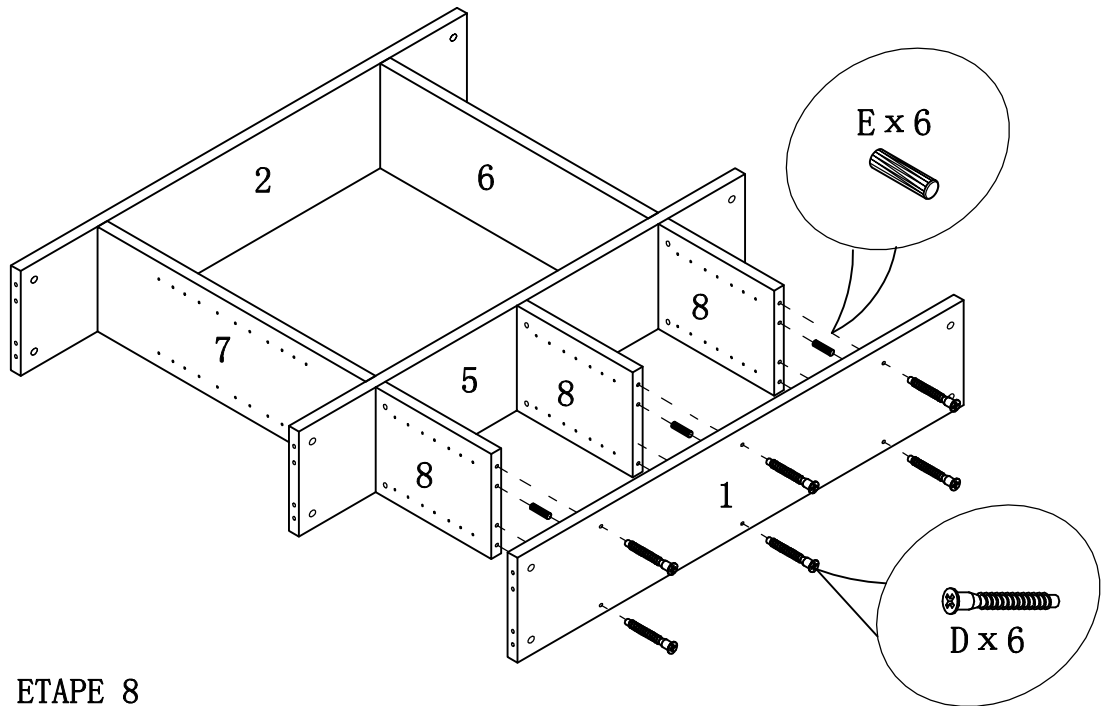
STEP 1 / ETAPE 8

STEP 2 / ETAPE 8



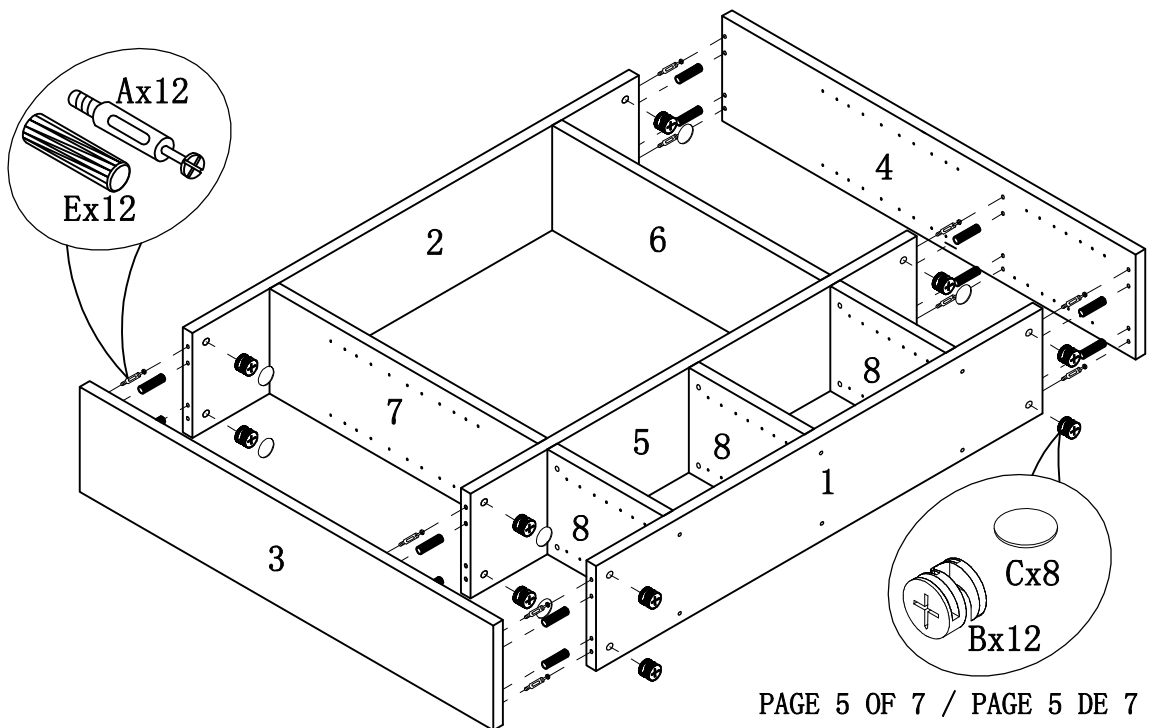
# ASSEMBLY INSTRUCTION

ITEM#: 29287



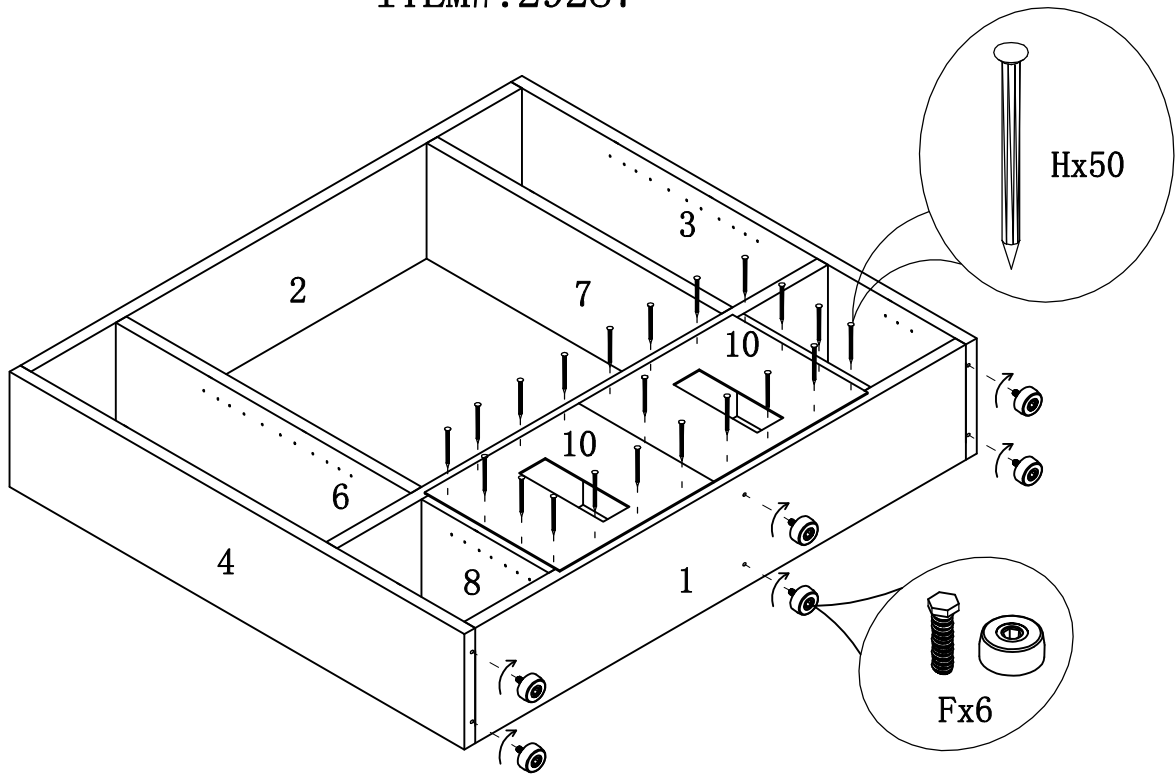
STEP 3 / ETAPE 8

STEP 4 / ETAPE 8



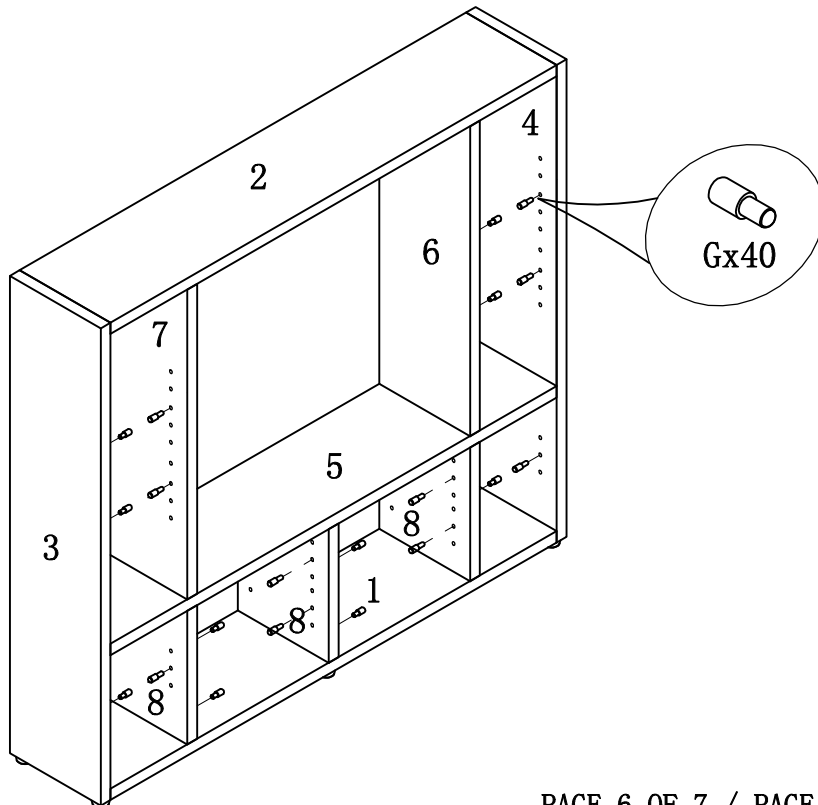
# ASSEMBLY INSTRUCTION

ITEM#: 29287



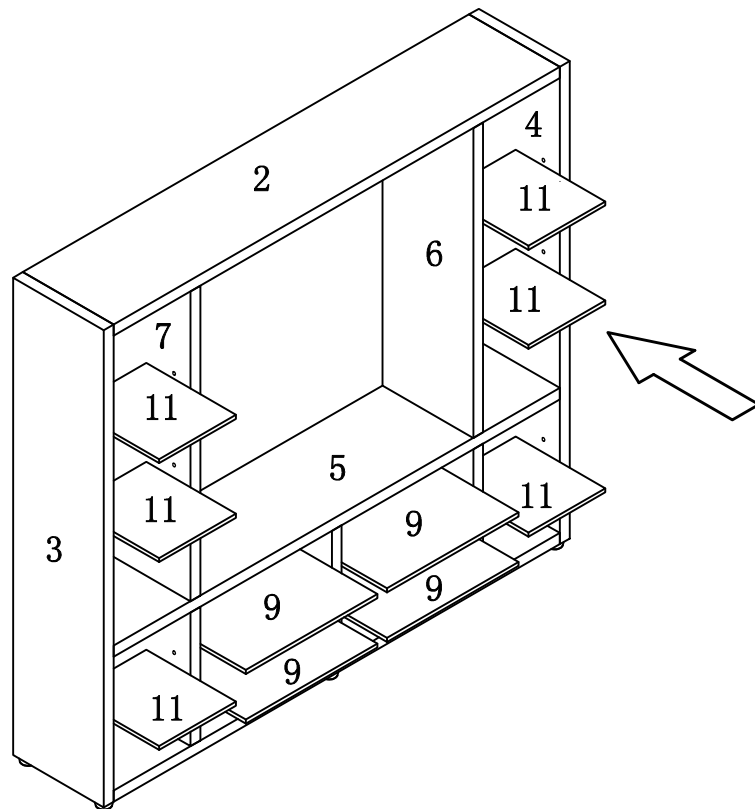
STEP 5 / ETAPE 8

STEP 6 / ETAPE 8



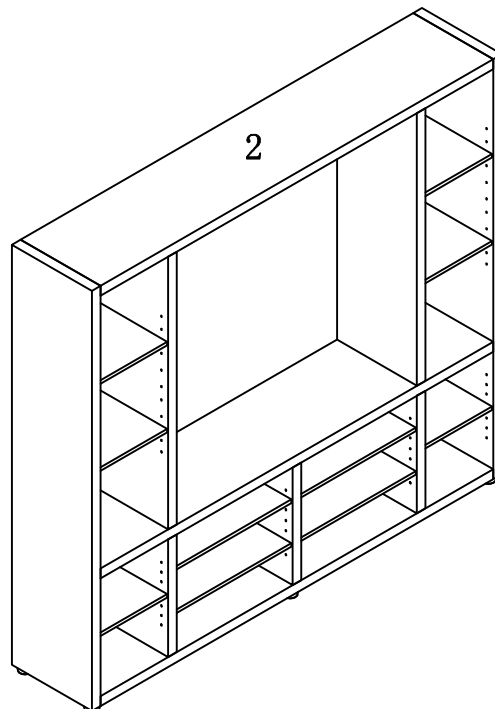
# ASSEMBLY INSTRUCTION

ITEM#: 29287



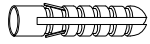
STEP 7 / ETAPE 8

STEP 8 / ETAPE 8

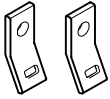


# ANTI-TIPPING STRAP INSTRUCTION

## HARDWARE (INCLUDED) :



DRYWALL ANCHOR  $\phi 8 \times 40$  X 1PC



METAL BRACKETS  $12 \times 12 \times 1$  X 2PCS



DRYWALL SCREW  $\phi 5 \times 40$  X 1PC

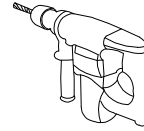


STRAP  $197 \times 5 \times 1$  X 1PC



FLATHEAD SCREW  $\phi 4 \times 25$  X 1PC

## TOOLS NEEDED ( NOT INCLUDED) :



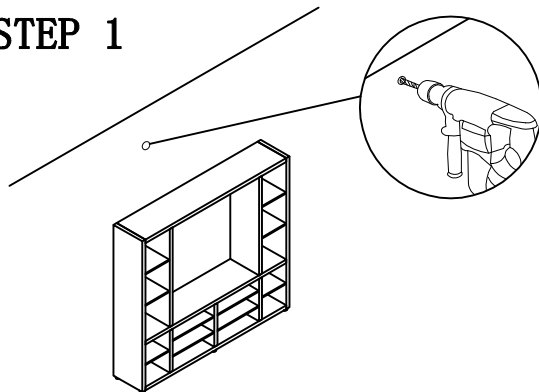
DRILL & DRILL BIT



LIGHT HAMMER

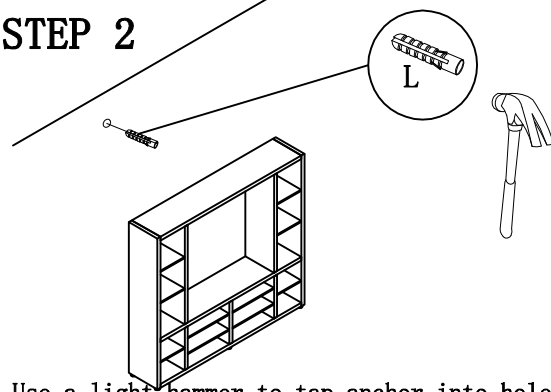
Note: Hardware included only compatible with standard drywalls.

### STEP 1



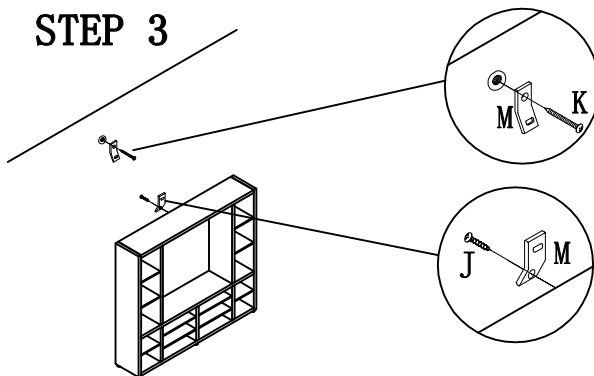
1. Find spot on wall 1" below top of item.
2. Using a drill bit slightly thinner than anchor, drill hole into drywall.

### STEP 2



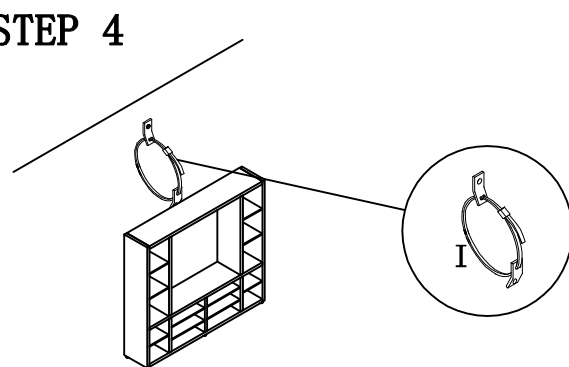
1. Use a light hammer to tap anchor into hole.
2. Anchor should fit snugly. If hole is too small, drill again to increase hole size. Do not force anchor into wall.

### STEP 3



1. Insert drywall screw into metal bracket and into drywall anchor.
2. Insert flathead screw into second metal bracket and into back of item. along top edge.

### STEP 4



1. Insert strap thru bracket attached to wall. then thru bracket on item, and into head of strap.
  2. pull lightly til strap stops.
- Assembly is complete.