

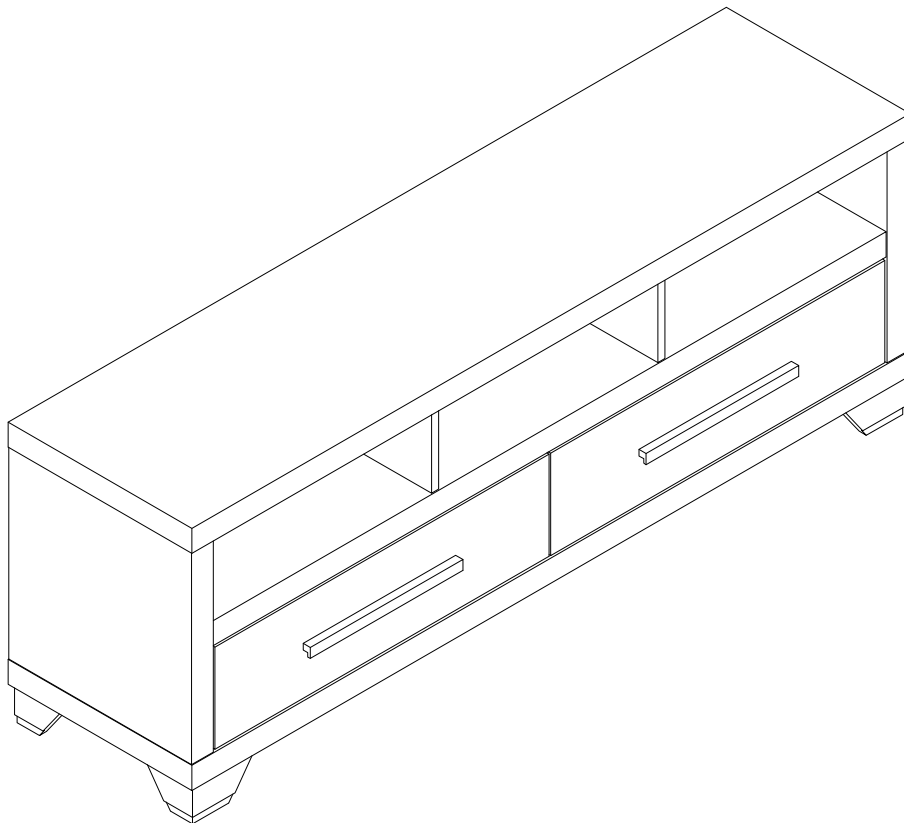
ASSEMBLY INSTRUCTION

PLEASE READ BEFORE ASSEMBLING!

Tip #1: Make sure you've taken all the pieces and hardware out of its packaging before discarding the box. Assembly on top of flattened box/blanket is recommended.

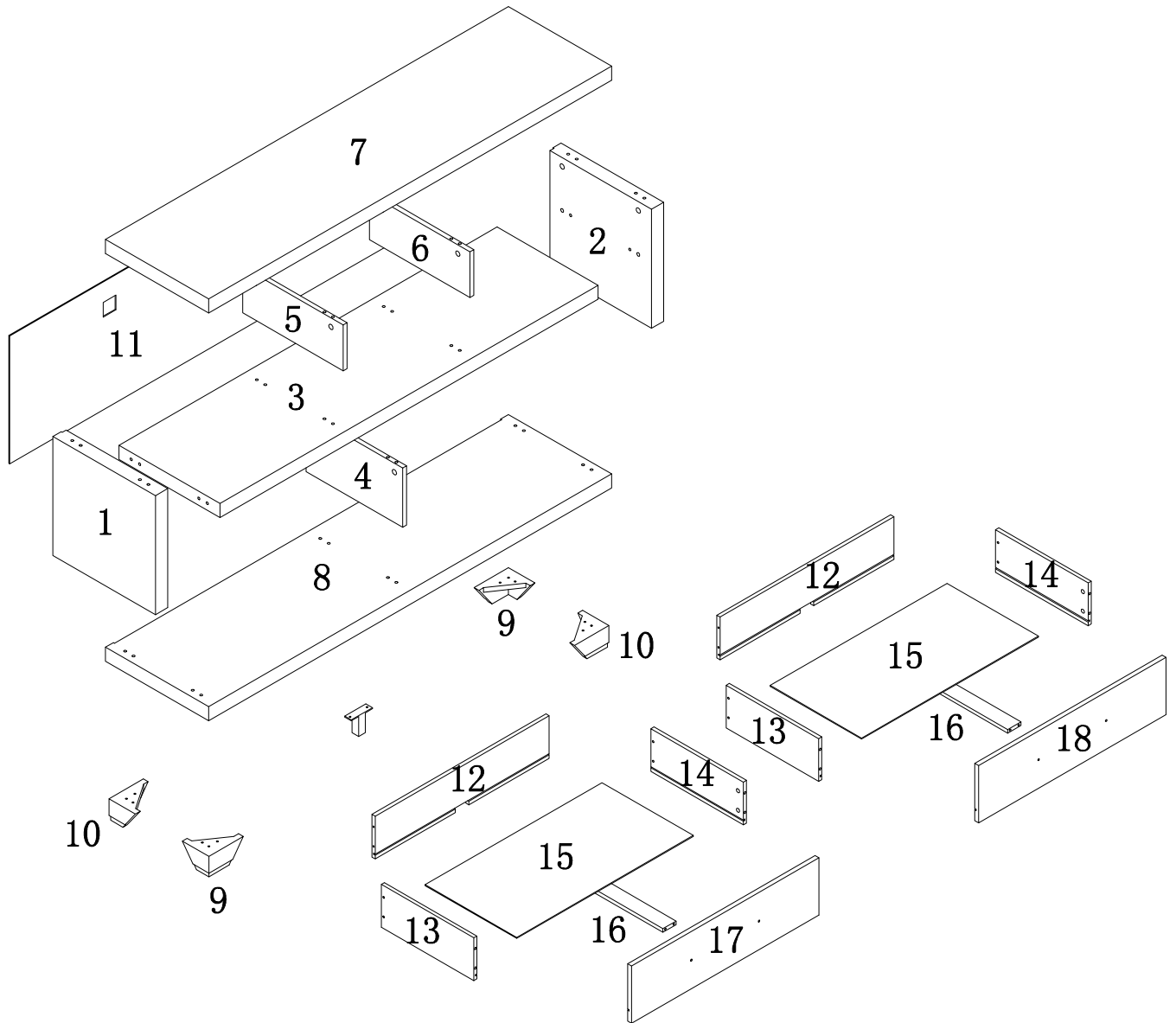
Tip #2: Using page 2 and/or page 3 of instruction manual make sure all pieces and hardware are accounted for.

ITEM#	27062TV	14933	14934
	151301TV	171916TV	192508



PARTS IDENTIFICATION

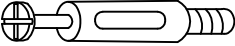

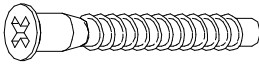
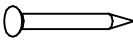
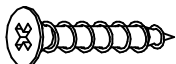
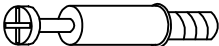



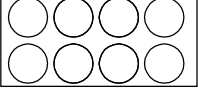
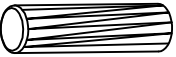

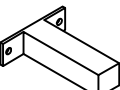

ITEM#: 27062TV



(1)	1pc	(10)	2pcs
(2)	1pc	(11)	1pc
(3)	1pc	(12)	2pcs
(4)	1pc	(13)	2pcs
(5)	1pc	(14)	2pcs
(6)	1pc	(15)	2pcs
(7)	1pc	(16)	2pcs
(8)	1pc	(17)	1pc
(9)	2pcs	(18)	1pc

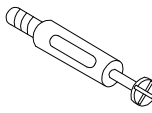
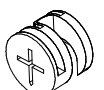
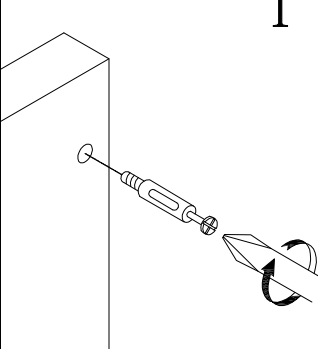
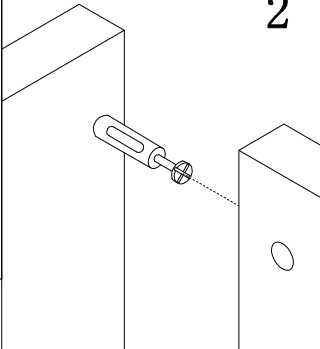
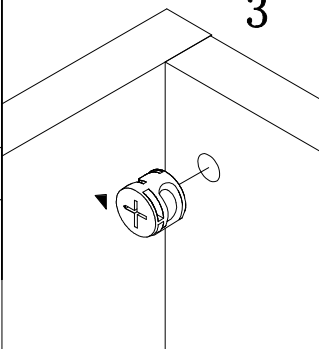
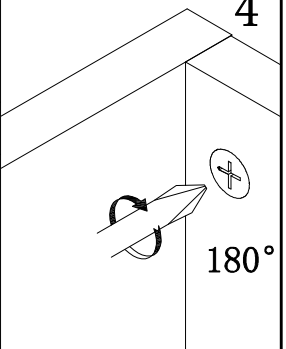
HARDWARE IDENTIFICATION

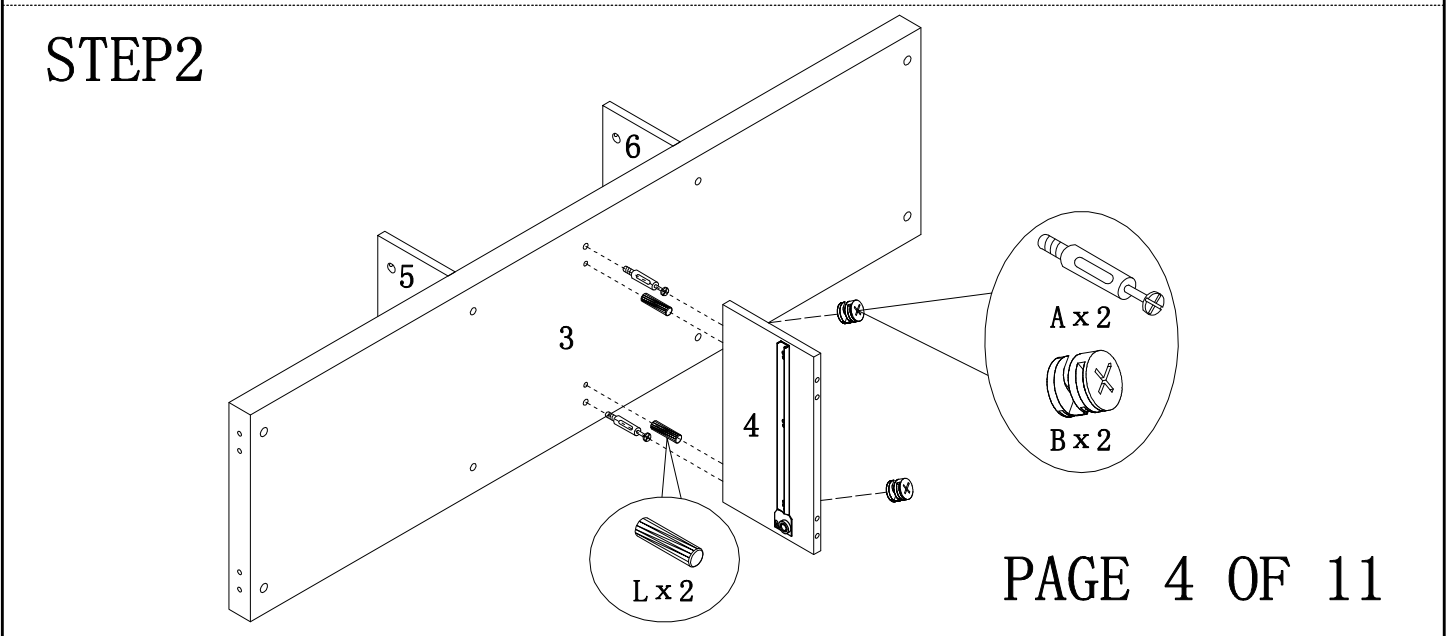
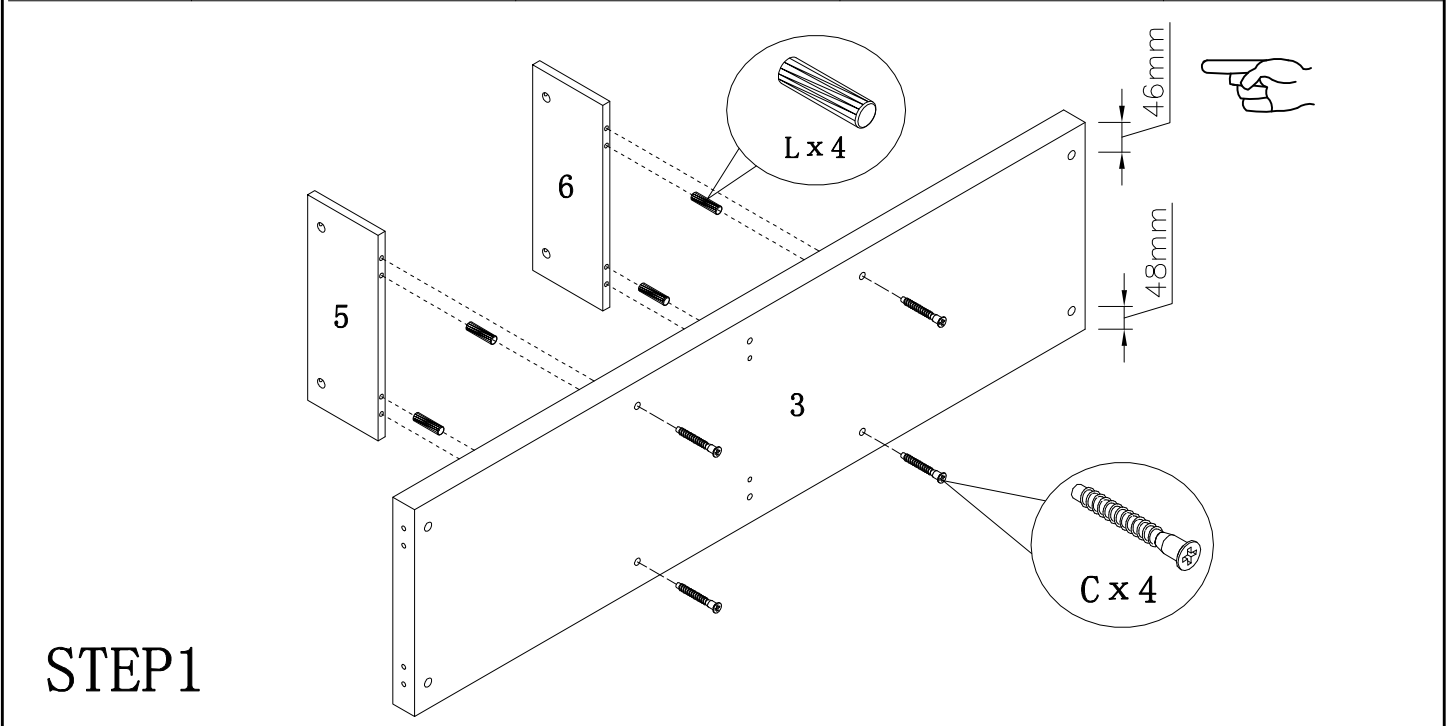
ITEM#: 27062TV

A		L29mm	14pcs
B		□15mm	14pcs
C		□7 x 58mm	10pcs
D		□4 x 35mm	12pcs
E		Z1016	38pcs
F		□4 x 30mm	12pcs
G		L20mm	8pcs
H		□12mm	8pcs
I		256mm	2pcs
J		□4 x 20mm	4pcs
K		□18mm	8pcs
L		□8 x 25mm	24pcs
M		□6 x 30mm	4pcs
N		□4 x 16mm	2pcs
O		80 x 25 x 68mm	1pc
P		Glue: For securing please apply to wood dowel first before inserting into panel	1pc

ASSEMBLY INSTRUCTION

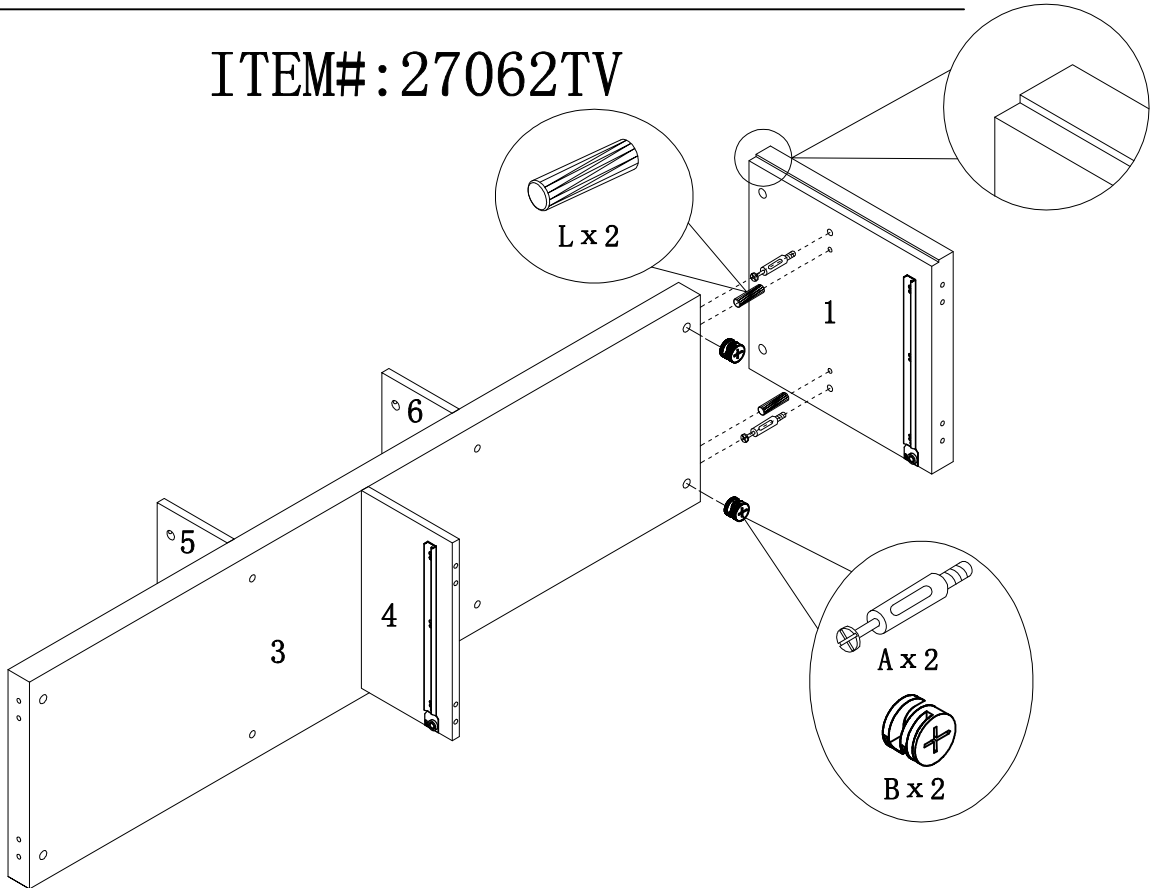
ITEM#: 27062TV

HOW TO	1	2	3	4
 Cam Bolt  Cam Lock	 1. Screw Cam Bolt into panel.	 2. Insert Cam Bolt into bolt hole of joining panel.	 3. Insert Cam Lock. arrow facing bolt.	 4. Gently turn Cam Lock clockwise to lock position. 180°



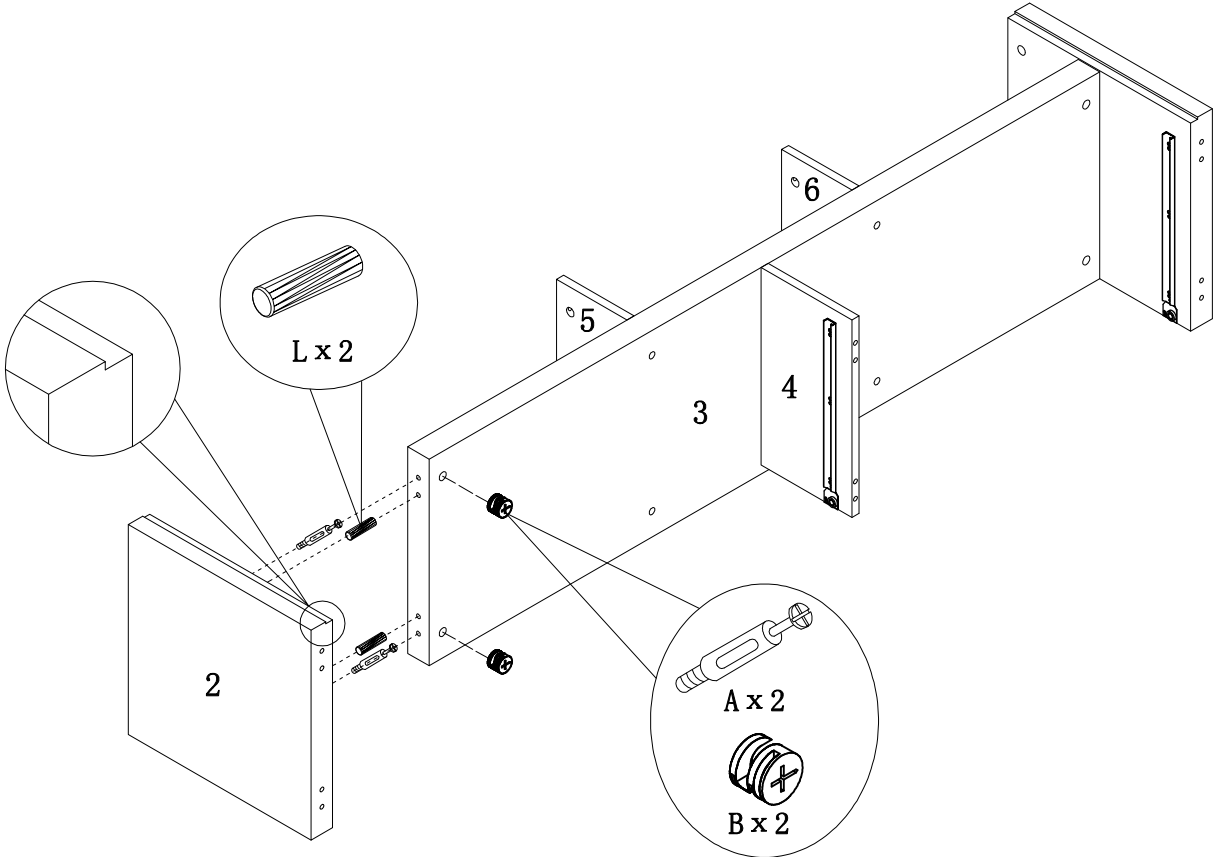
ASSEMBLY INSTRUCTION

ITEM#: 27062TV



STEP3

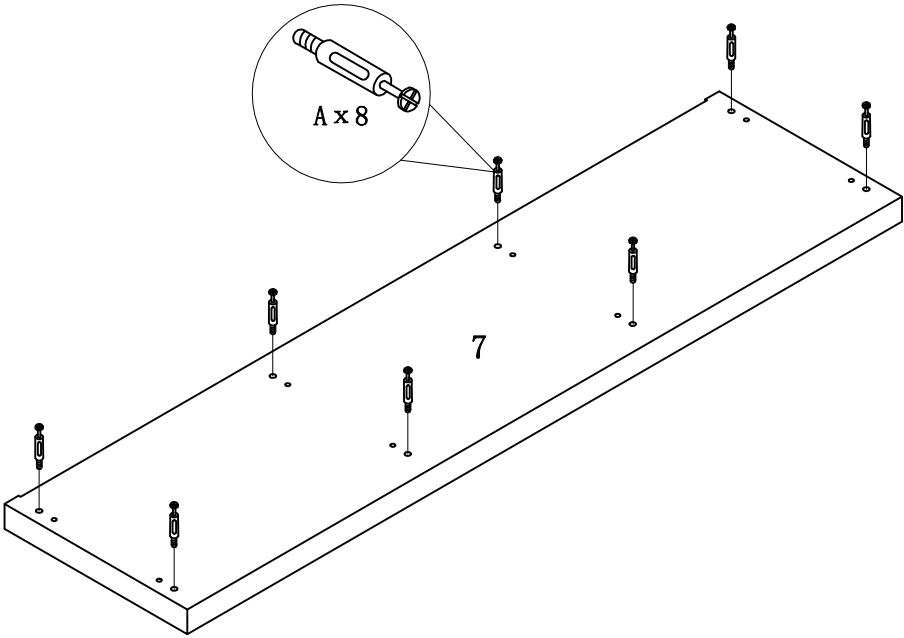
STEP4



STEP3

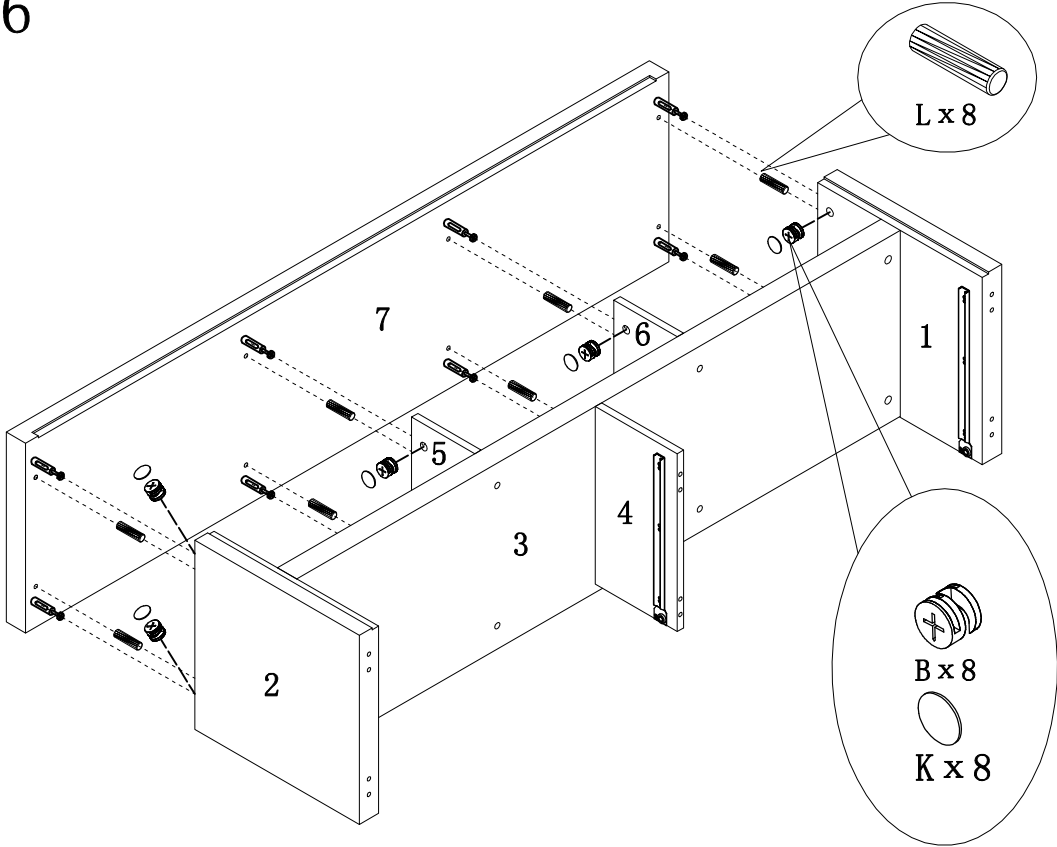
ASSEMBLY INSTRUCTION

ITEM#: 27062TV



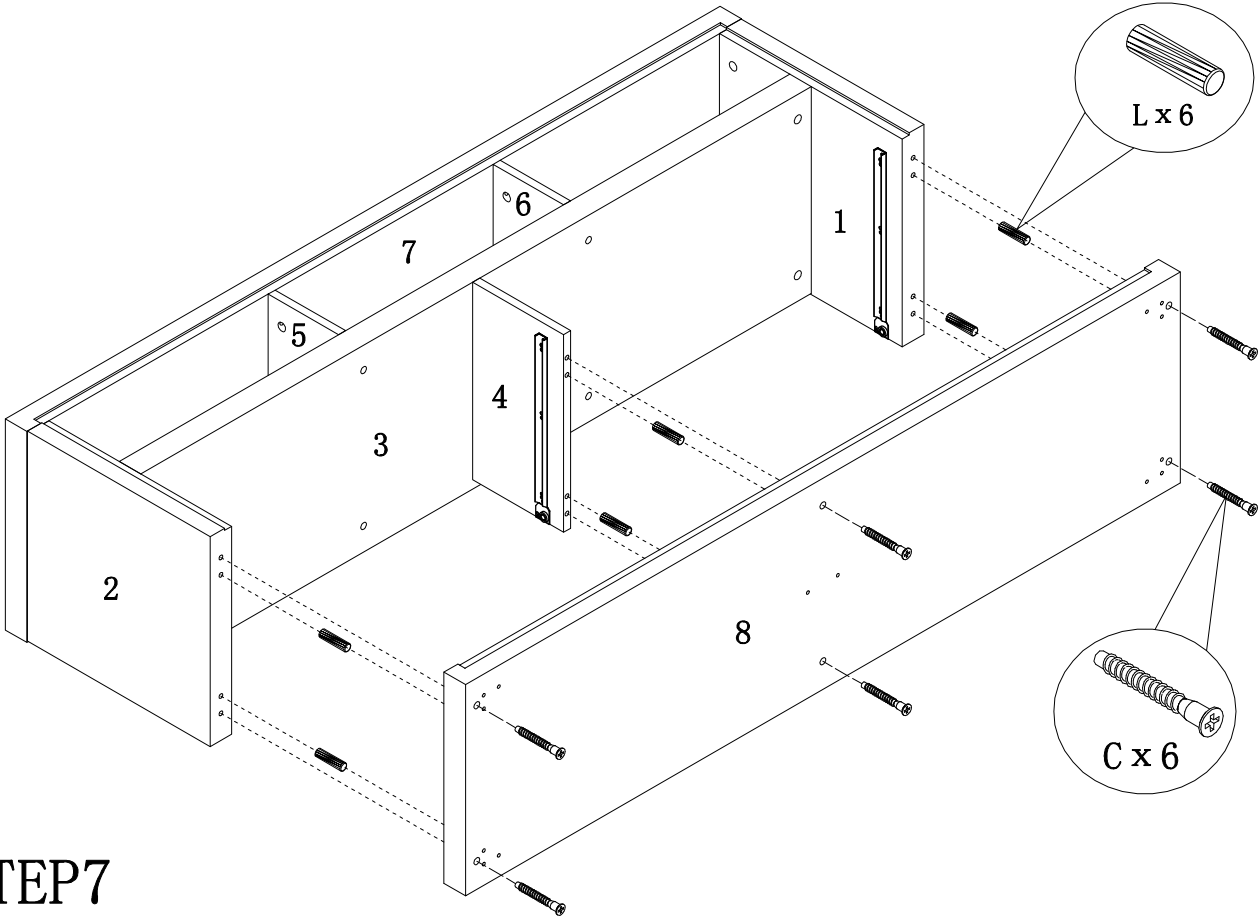
STEP5

STEP6



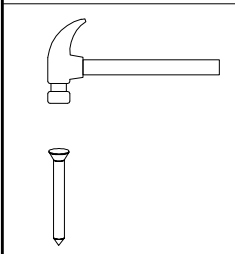
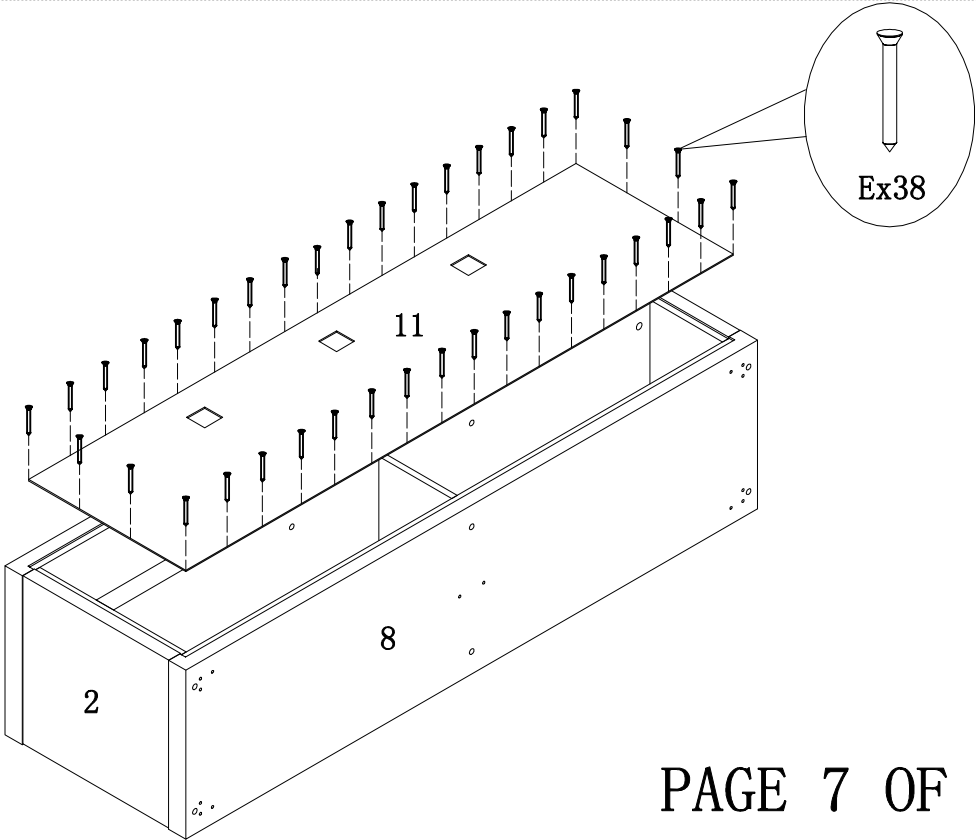
ASSEMBLY INSTRUCTION

ITEM#: 27062TV



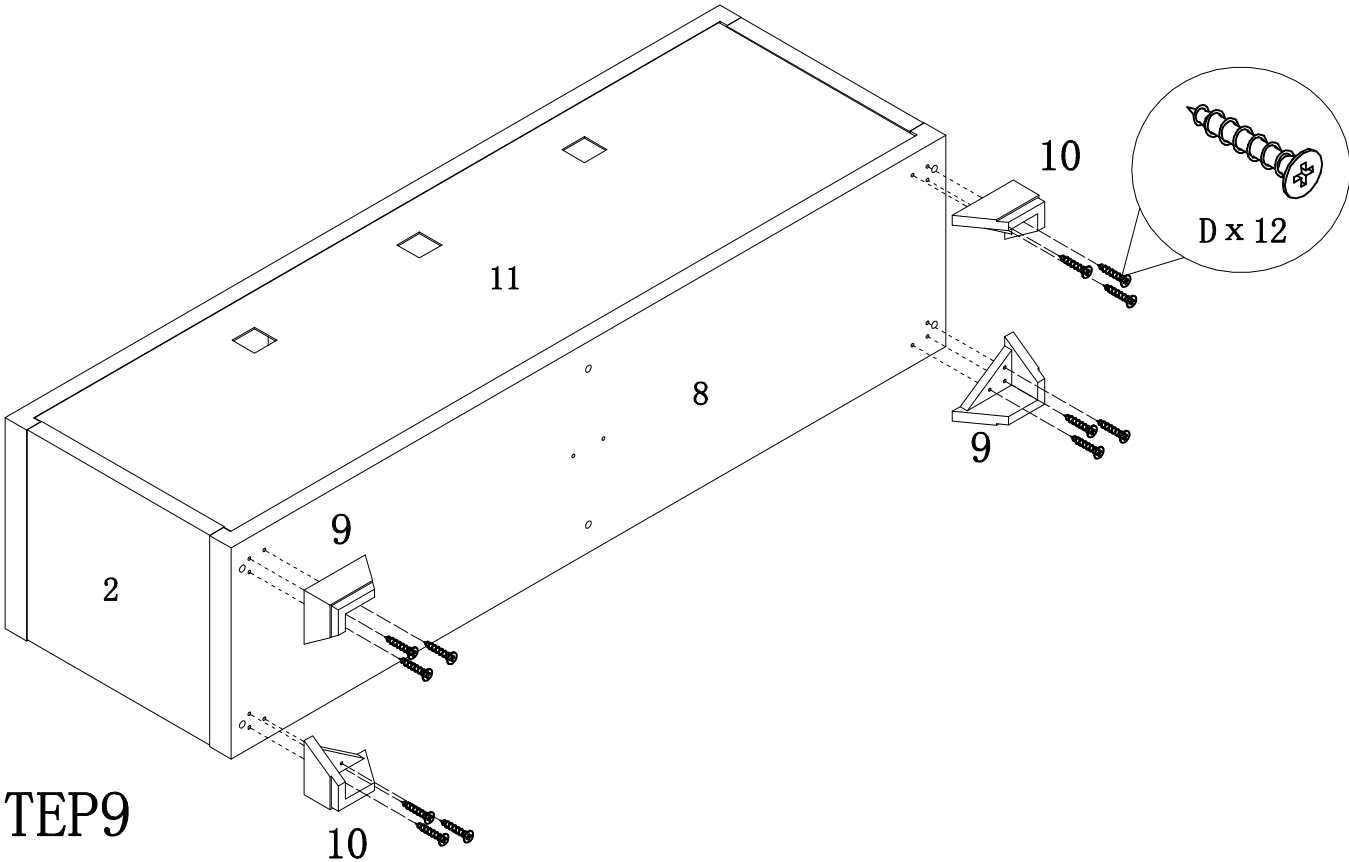
STEP 7

STEP 8

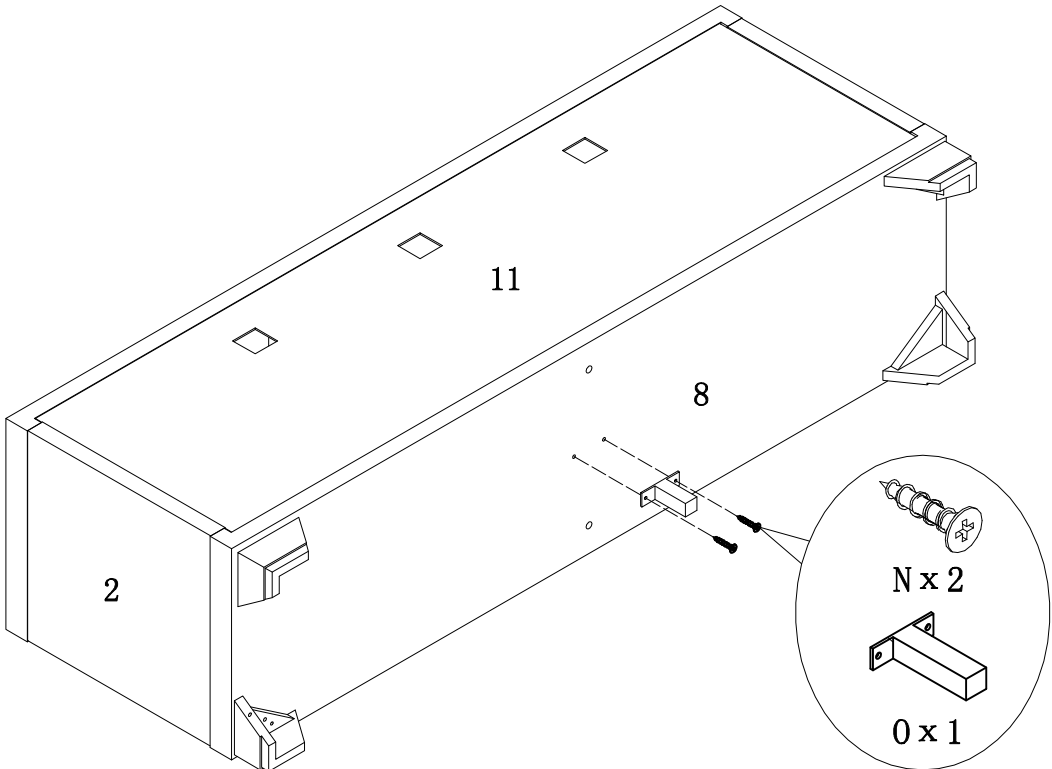


ASSEMBLY INSTRUCTION

ITEM#: 27062TV



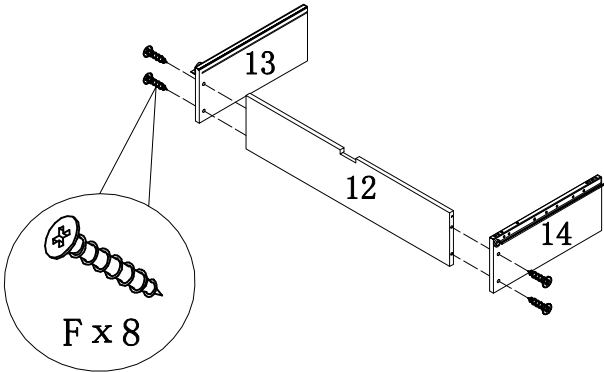
STEP 10



ASSEMBLY INSTRUCTION

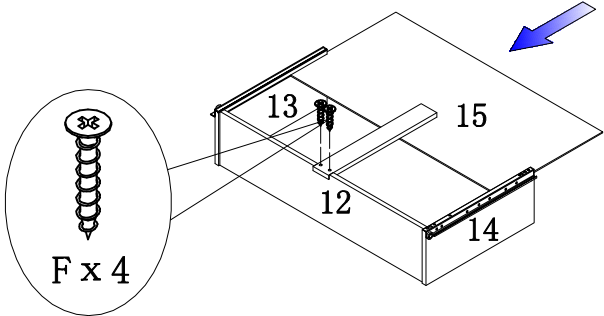
ITEM#: 27062TV

x2



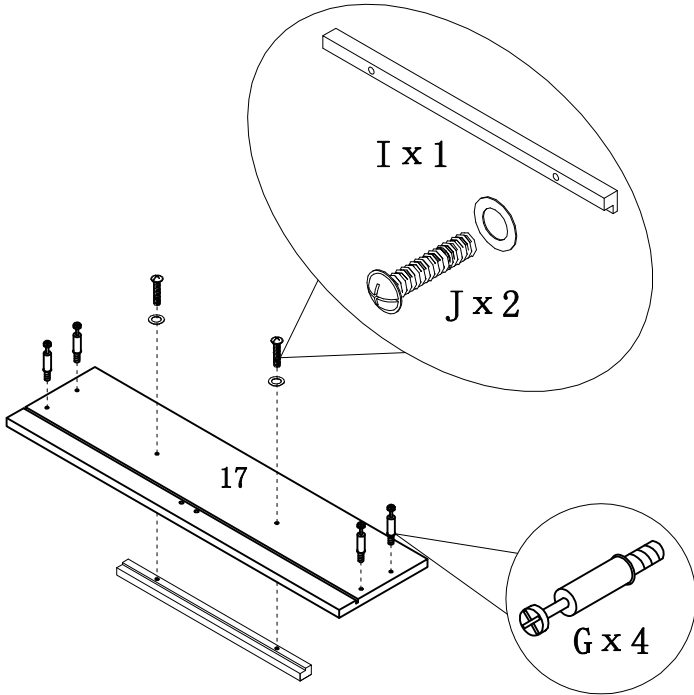
STEP11

x2



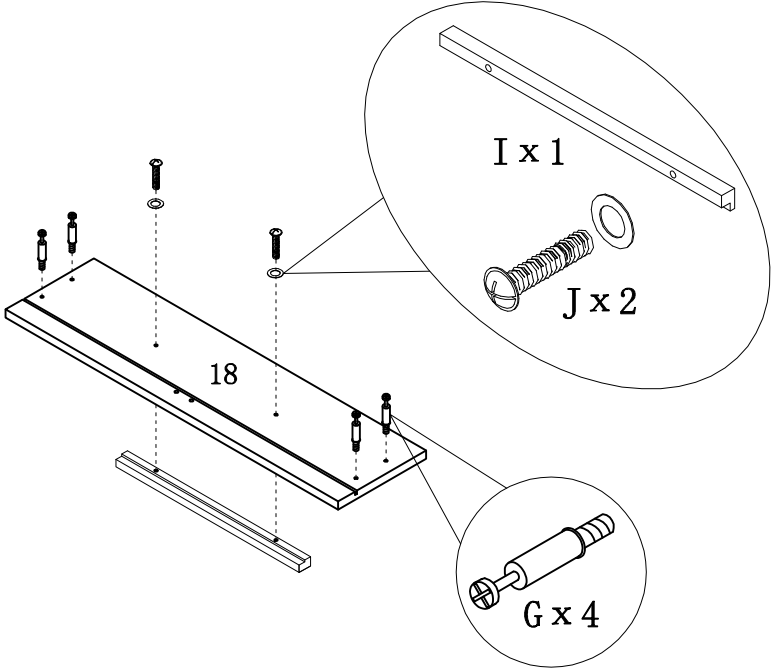
STEP12

STEP13



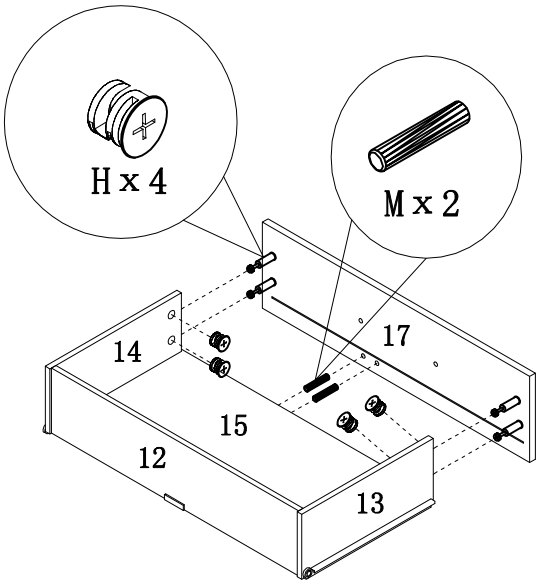
ASSEMBLY INSTRUCTION

ITEM#: 27062TV



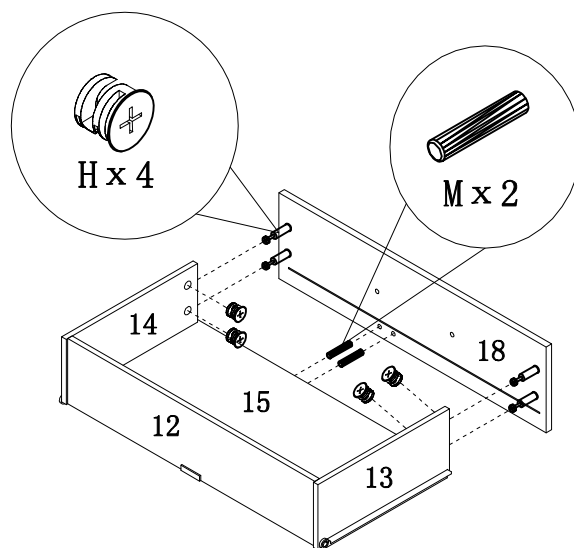
STEP 14

STEP 15



ASSEMBLY INSTRUCTION

ITEM#: 27062TV



STEP 16

STEP 17

