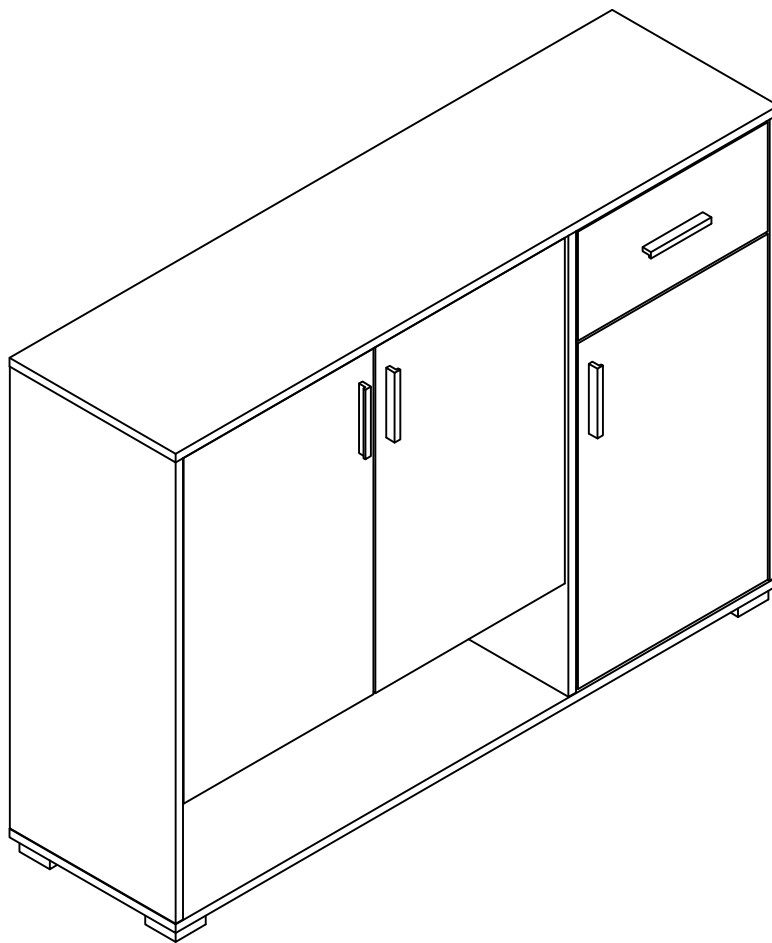


# ASSEMBLY INSTRUCTION

---

ITEM#:223112



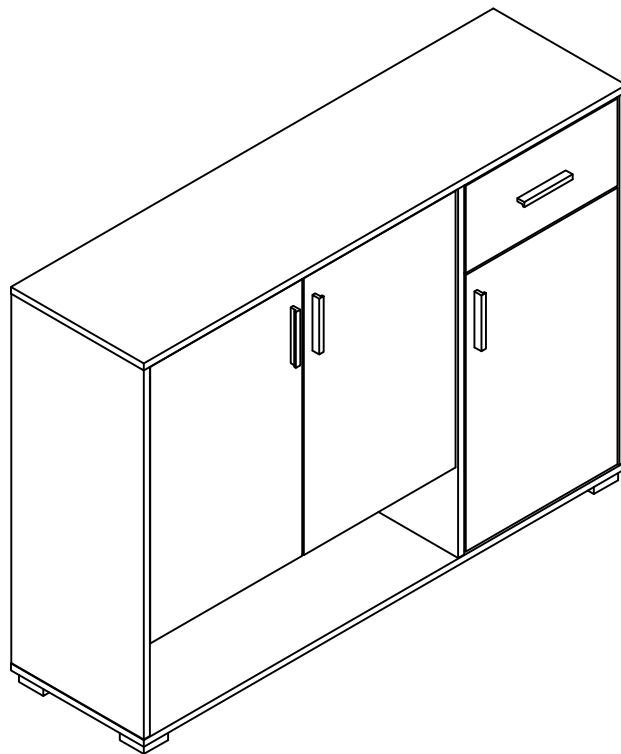
# ASSEMBLY INSTRUCTION

## **PLEASE READ BEFORE ASSEMBLING!**

Tip #1: Make sure you've taken all the pieces and hardware out of its packaging before discarding the box.

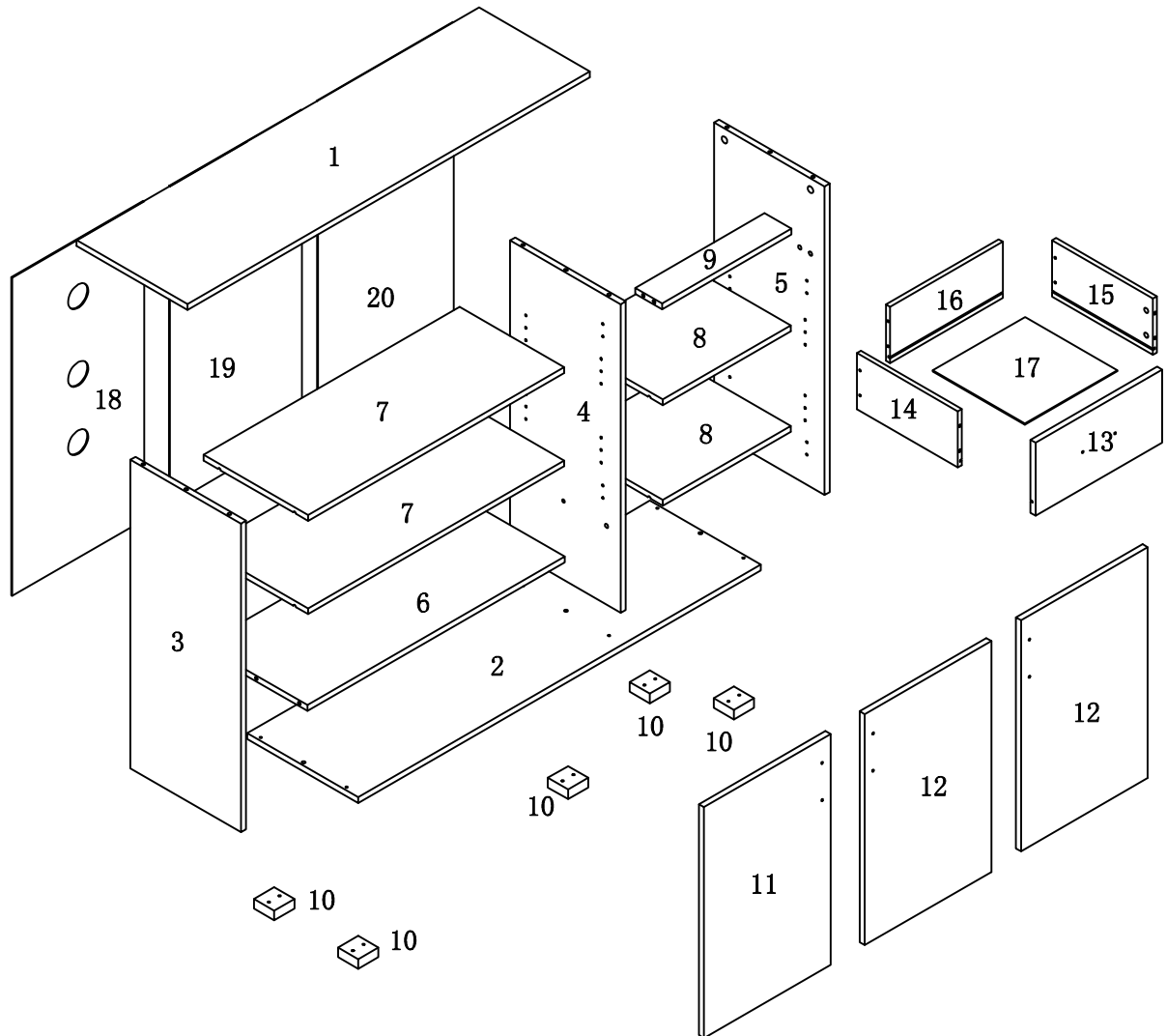
Tip #2: Using page 2 and/or page 3 of instruction manual make sure all pieces and hardware are accounted for.

**ITEM#:223112**



# PARTS IDENTIFICATION




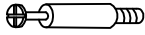

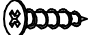







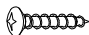
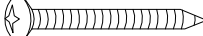





ITEM#:223112



(1)	1pc	(8)	2pcs	(15)	1pc
(2)	3pcs	(9)	1pc	(16)	1pc
(3)	1pc	(10)	5pcs	(17)	1pc
(4)	1pc	(11)	1pc	(18)	1pc
(5)	1pc	(12)	2pcs	(19)	1pc
(6)	1pc	(13)	1pc	(20)	1pc
(7)	2pcs	(14)	1pc		

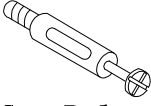

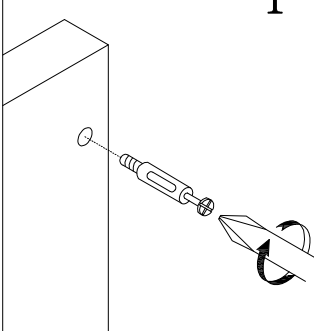
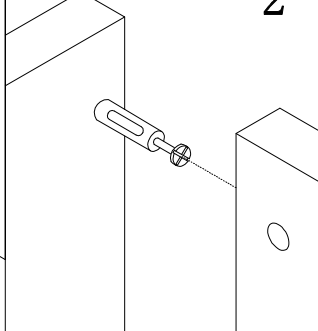
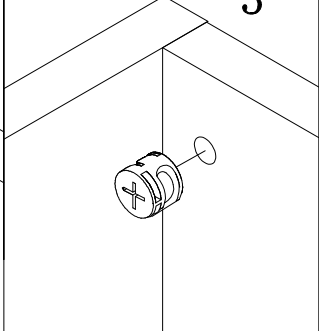
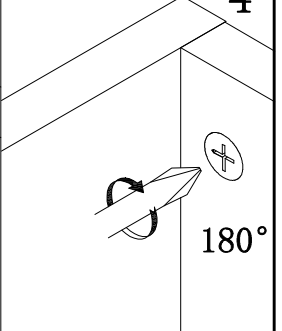
# HARDWARE IDENTIFICATION

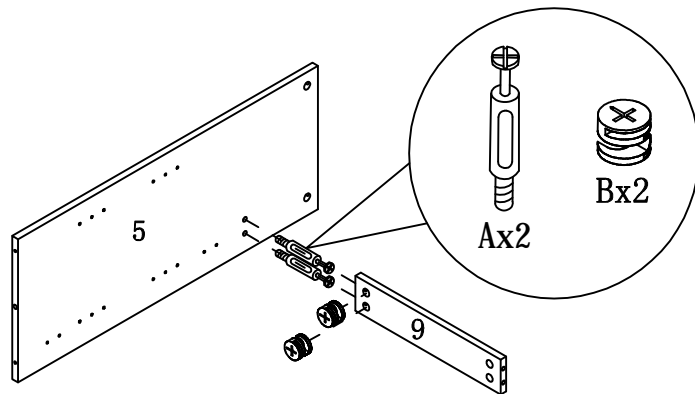
ITEM#:223112

A		L29	14PCS
B		$\Phi 15$	14PCS
C		$\Phi 8 \times 25$	8PCS
D		L20	4PCS
E		$\Phi 12$	4PCS
F		$\Phi 4 \times 40$	6PCS
G		$\Phi 4 \times 30$	14PCS
H			40PCS
I		$\Phi 4 \times 16$	36PCS
J		$\Phi 16$	5PCS
K			4PCS
L		$\Phi 4 \times 20$	8PCS
M		$197 \times 5 \times 1$	1PC
N		$\varnothing 4 \times 25$	1PC
O		$\varnothing 5 \times 40$	1PC
P		$\varnothing 8 \times 40$	1PC
Q		$12 \times 12 \times 1$	2PCS
R		$\Phi 22$	2PCS
S		$\varnothing 5 \times 15$	16PCS
T			6PCS

# HARDWARE IDENTIFICATION

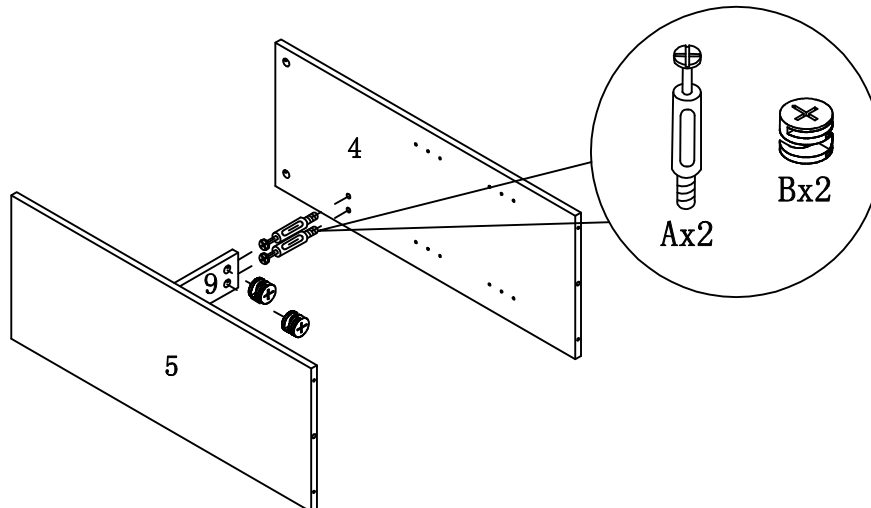
ITEM#:223112

HOW TO	1	2	3	4
 Cam Bolt   Cam Lock				
	1. Screw Cam Bolt into panel.	2. Insert Cam Bolt into bolt hole of joining panel.	3. Insert Cam Lock. arrow facing bolt.	4. Gently turn Cam Lock clockwise to lock position.



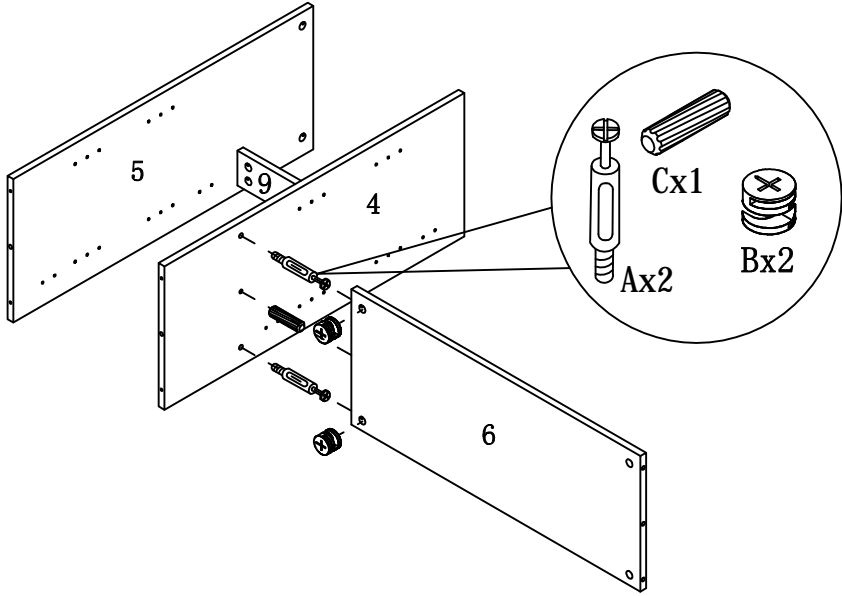
STEP 1

STEP 2



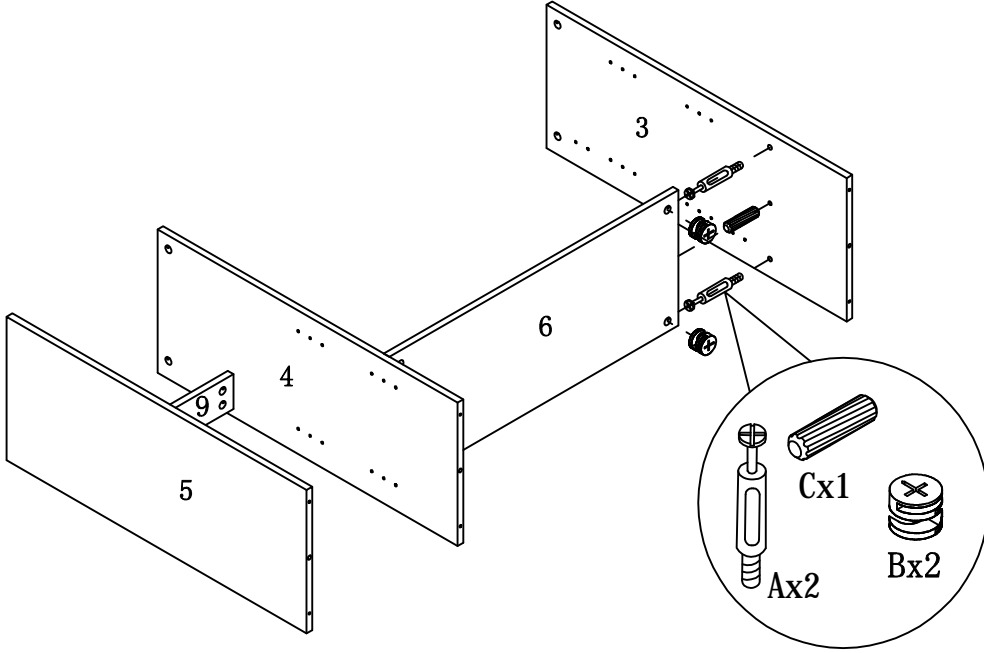
# HARDWARE IDENTIFICATION

ITEM#:223112



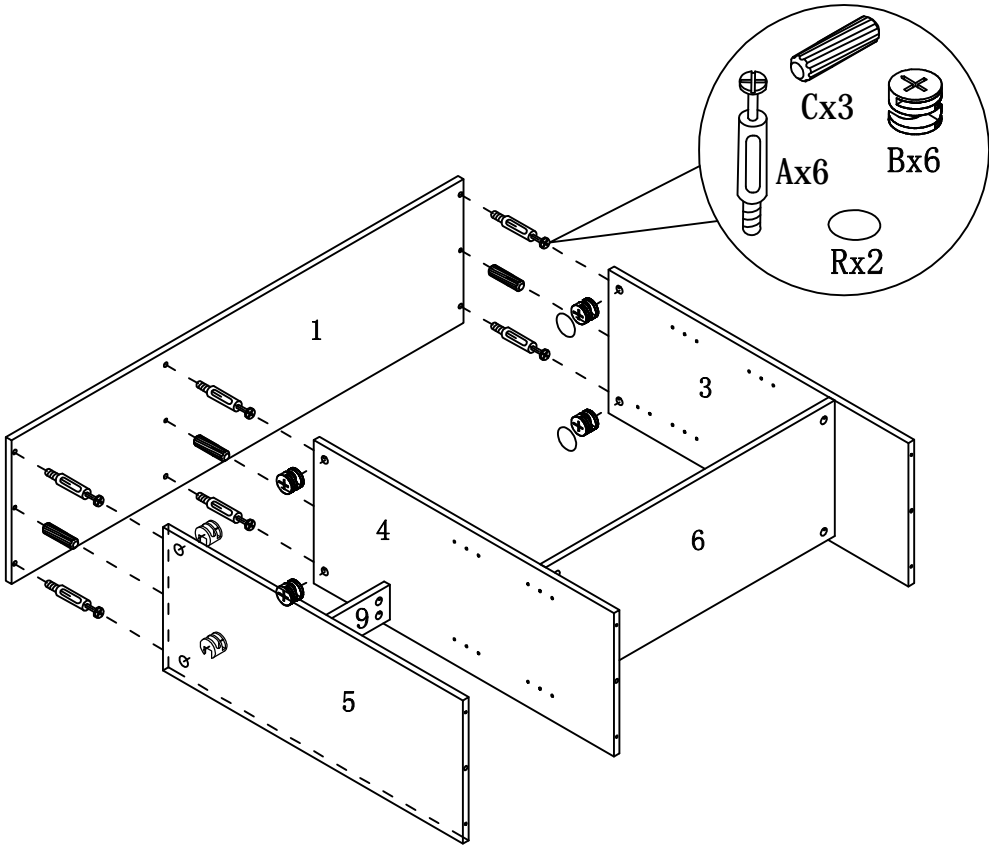
STEP3

STEP4



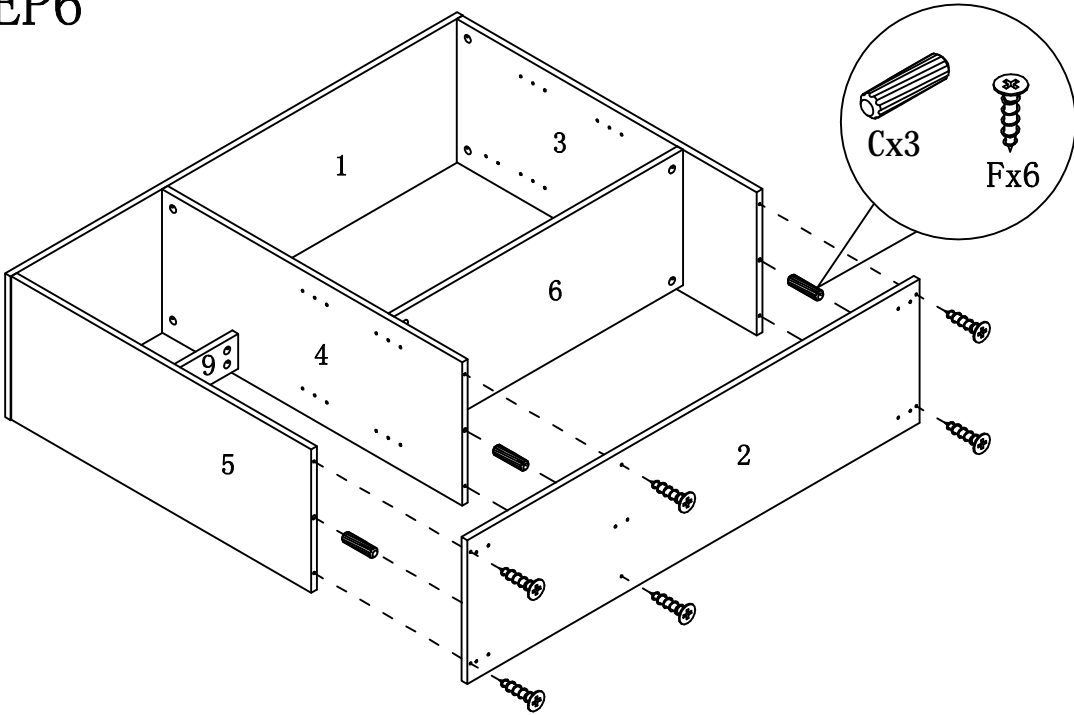
# HARDWARE IDENTIFICATION

ITEM#:223112



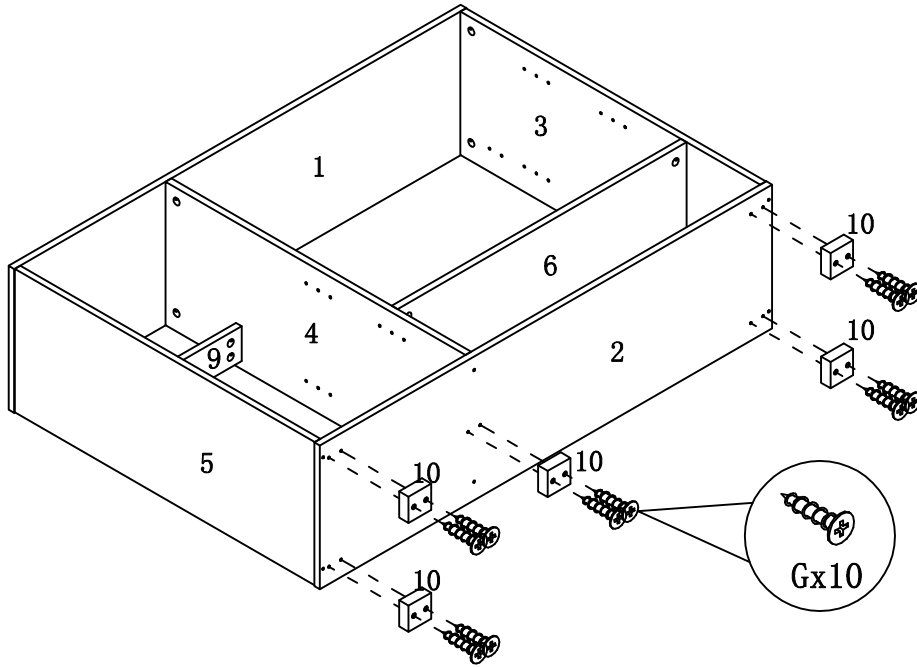
STEP5

STEP6



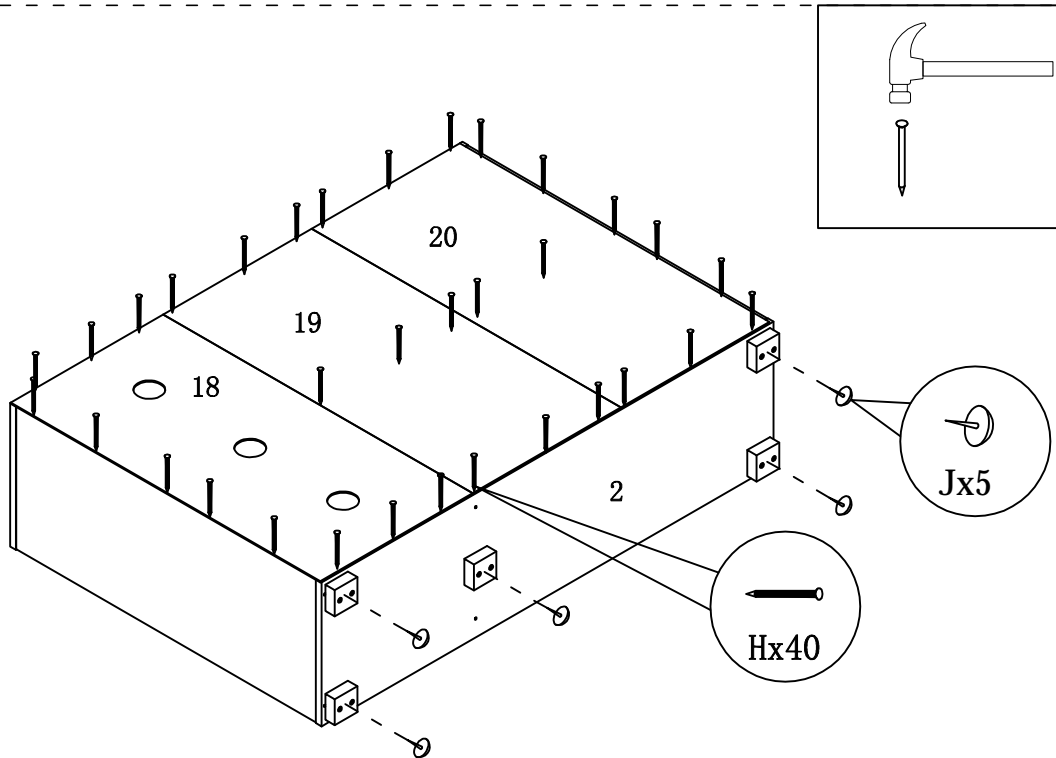
# HARDWARE IDENTIFICATION

ITEM#:223112



STEP7

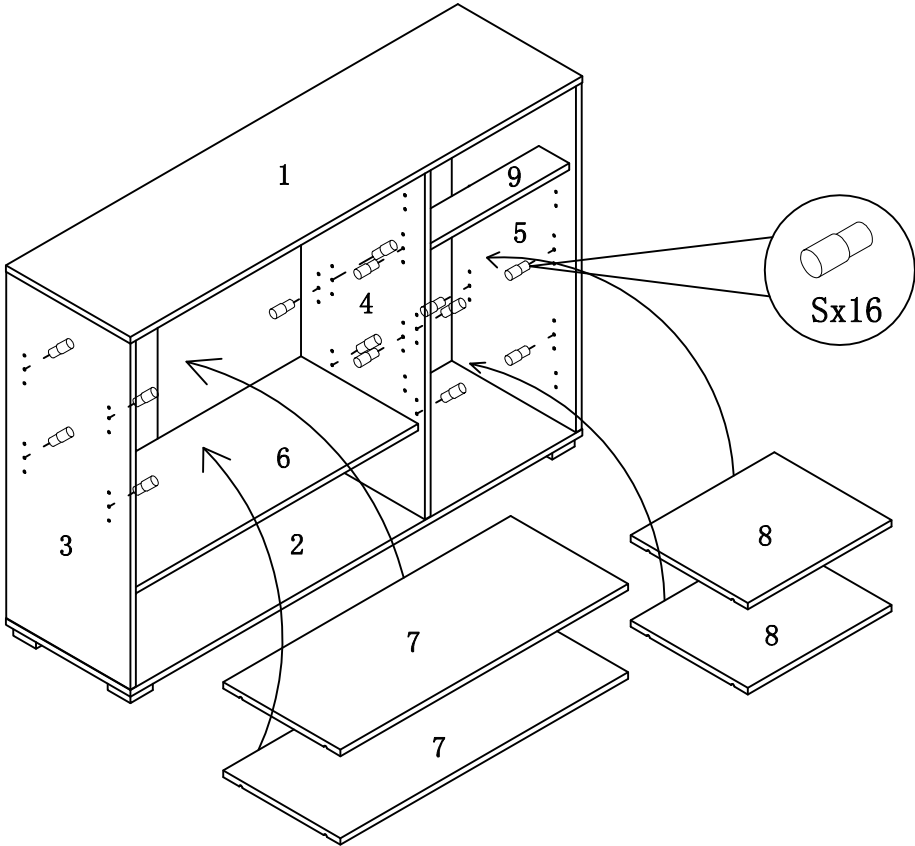
STEP8





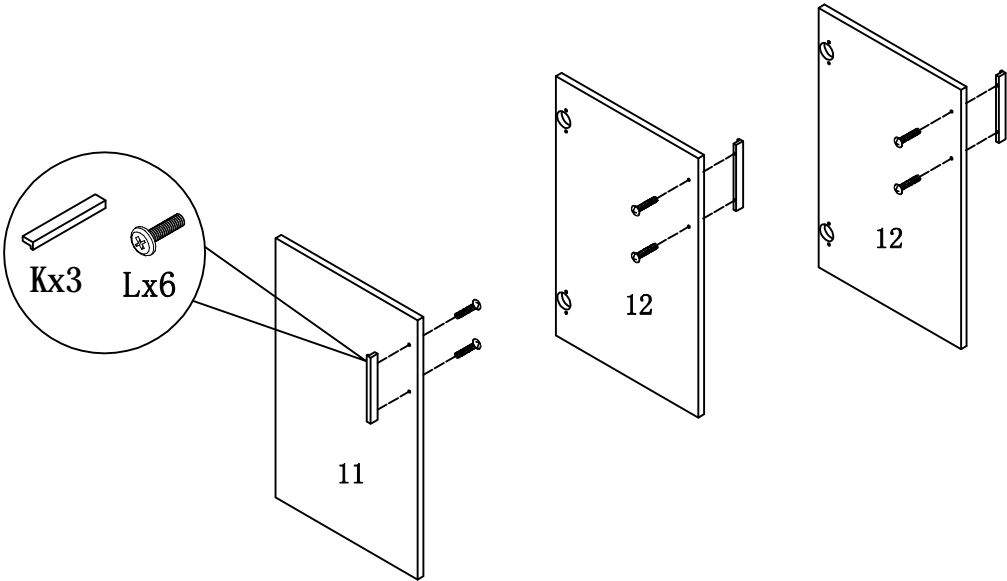
# HARDWARE IDENTIFICATION

ITEM#:223112



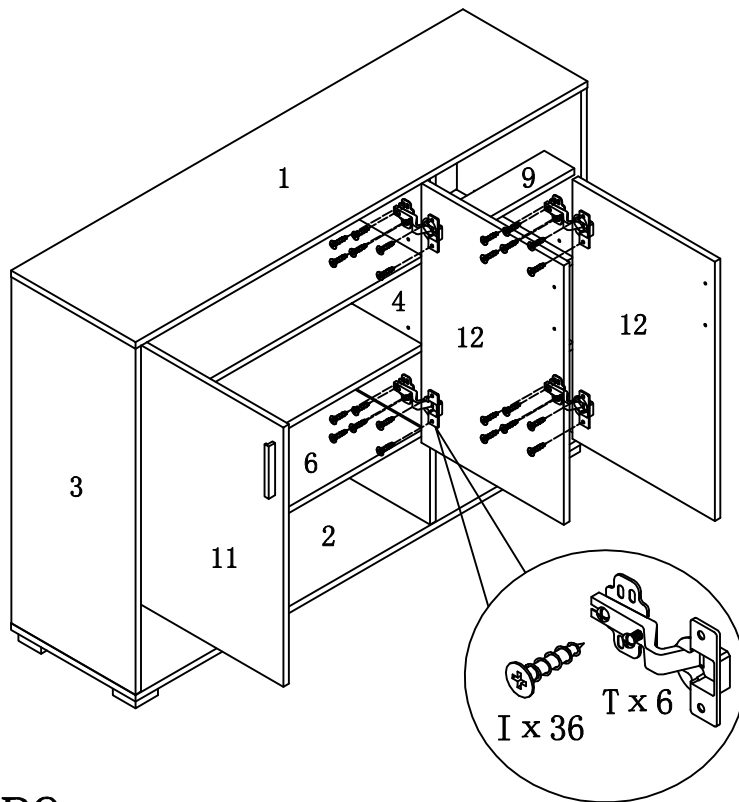
STEP9

STEP10

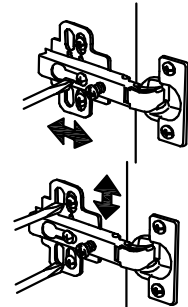


# HARDWARE IDENTIFICATION

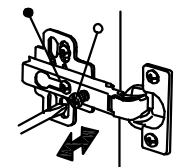
ITEM#:223112



To adjust the door in or out, loosen this screw and push the door further in or push further out then retighten screws.



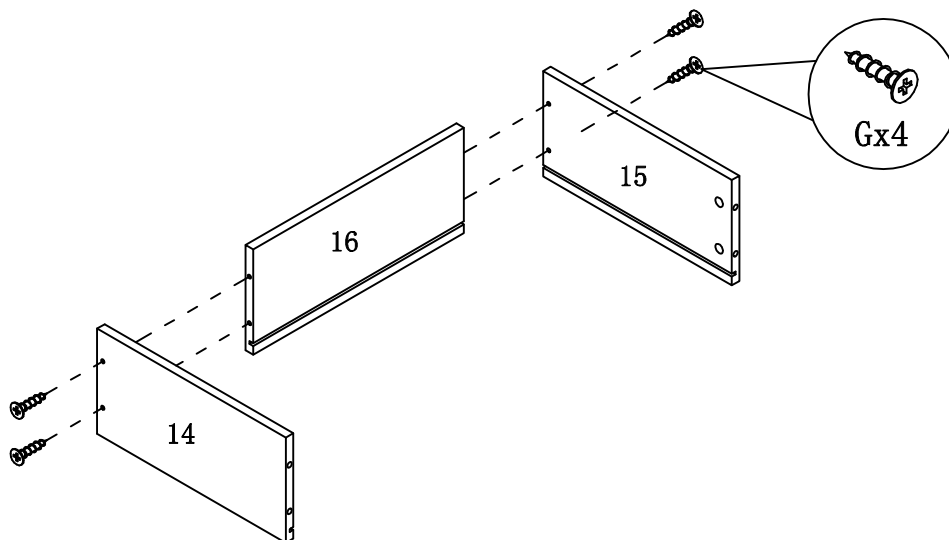
To adjust the door vertically, loosen the top and bottom screws, push the door up or down as necessary, then retighten screws.



To adjust the door left/right, turn this screw clockwise to move this corner of the door toward the frame, or counterclockwise to move door away from the frame.

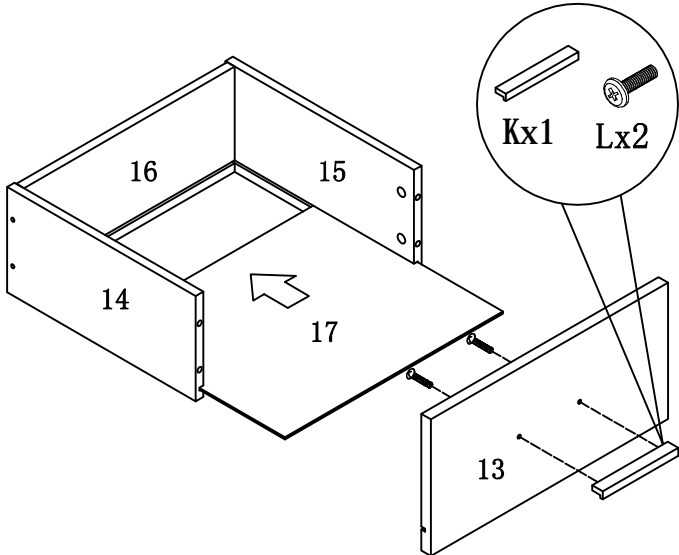
STEP9

STEP10



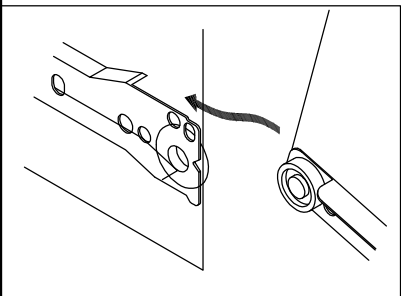
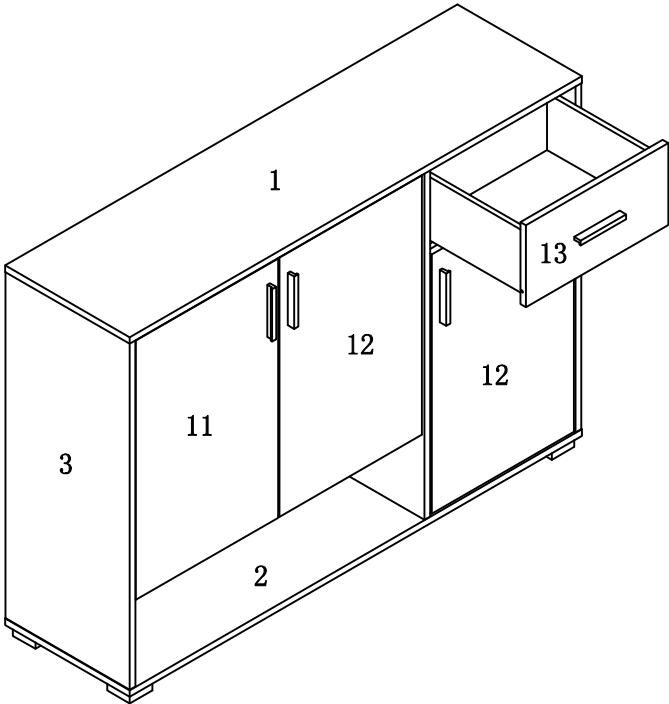
# HARDWARE IDENTIFICATION

ITEM#:223112



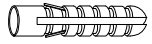
STEP9

STEP10

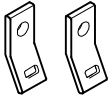


# ANTI-TIPPING STRAP INSTRUCTION

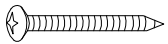
## HARDWARE (INCLUDED) :



DRYWALL ANCHOR  $\phi 8 \times 40$  X 1PC



METAL BRACKETS  $12 \times 12 \times 1$  X 2PCS



DRYWALL SCREW  $\phi 5 \times 40$  X 1PC

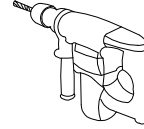


STRAP  $197 \times 5 \times 1$  X 1PC



FLATHEAD SCREW  $\phi 4 \times 25$  X 1PC

## TOOLS NEEDED ( NOT INCLUDED) :



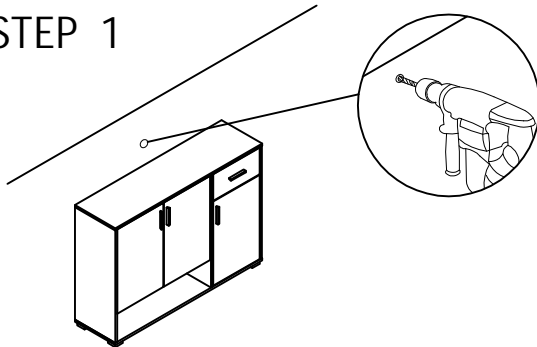
DRILL & DRILL BIT



LIGHT HAMMER

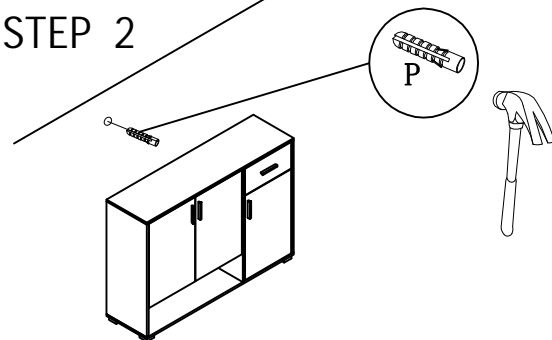
Note: Hardware included only compatible with standard drywalls.

### STEP 1



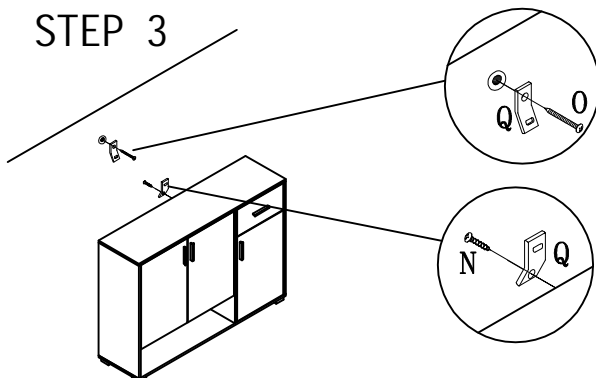
1. Find spot on wall 1" below top of item.
2. Using a drill bit slightly thinner than anchor, drill hole into drywall.

### STEP 2



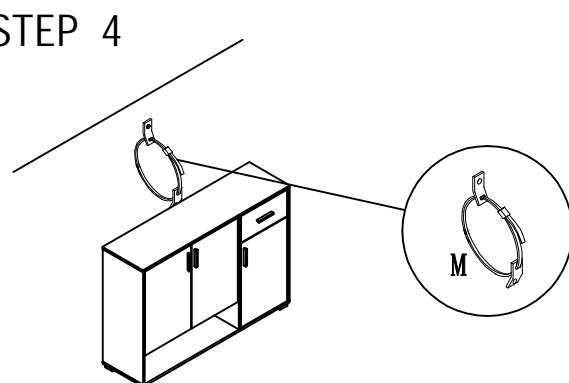
1. Use a light hammer to tap anchor into hole.
2. Anchor should fit snugly. If hole is too small, drill again to increase hole size. Do not force anchor into wall.

### STEP 3



1. Insert drywall screw into metal bracket and into drywall anchor.
2. Insert flathead screw into second metal bracket and into back of item along top edge.

### STEP 4



1. Insert strap thru bracket attached to wall, then thru bracket on item, and into head of strap.
  2. pull lightly til strap stops.
- Assembly is complete.