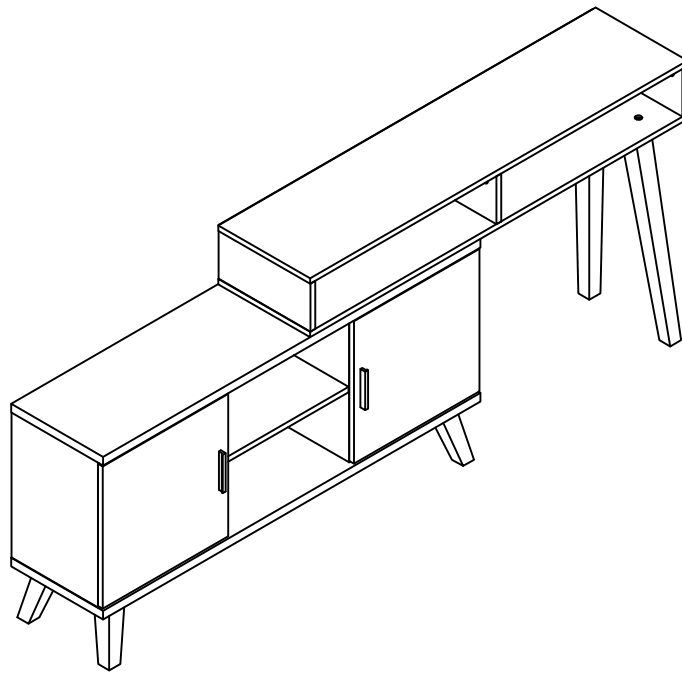


ASSEMBLY INSTRUCTION

ITEM#: 202745



ASSEMBLY INSTRUCTION

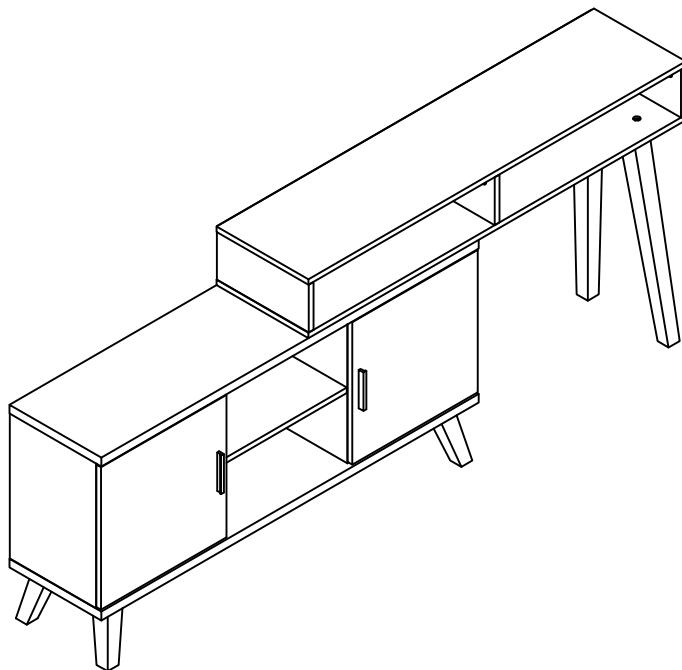
PLEASE READ BEFORE ASSEMBLING!

Tip #1: Make sure you've taken all the pieces and hardware out of its packaging before discarding the box.

Tip #2: Using page 2 and/or page 3 of instruction manual make sure all pieces and hardware are accounted for.

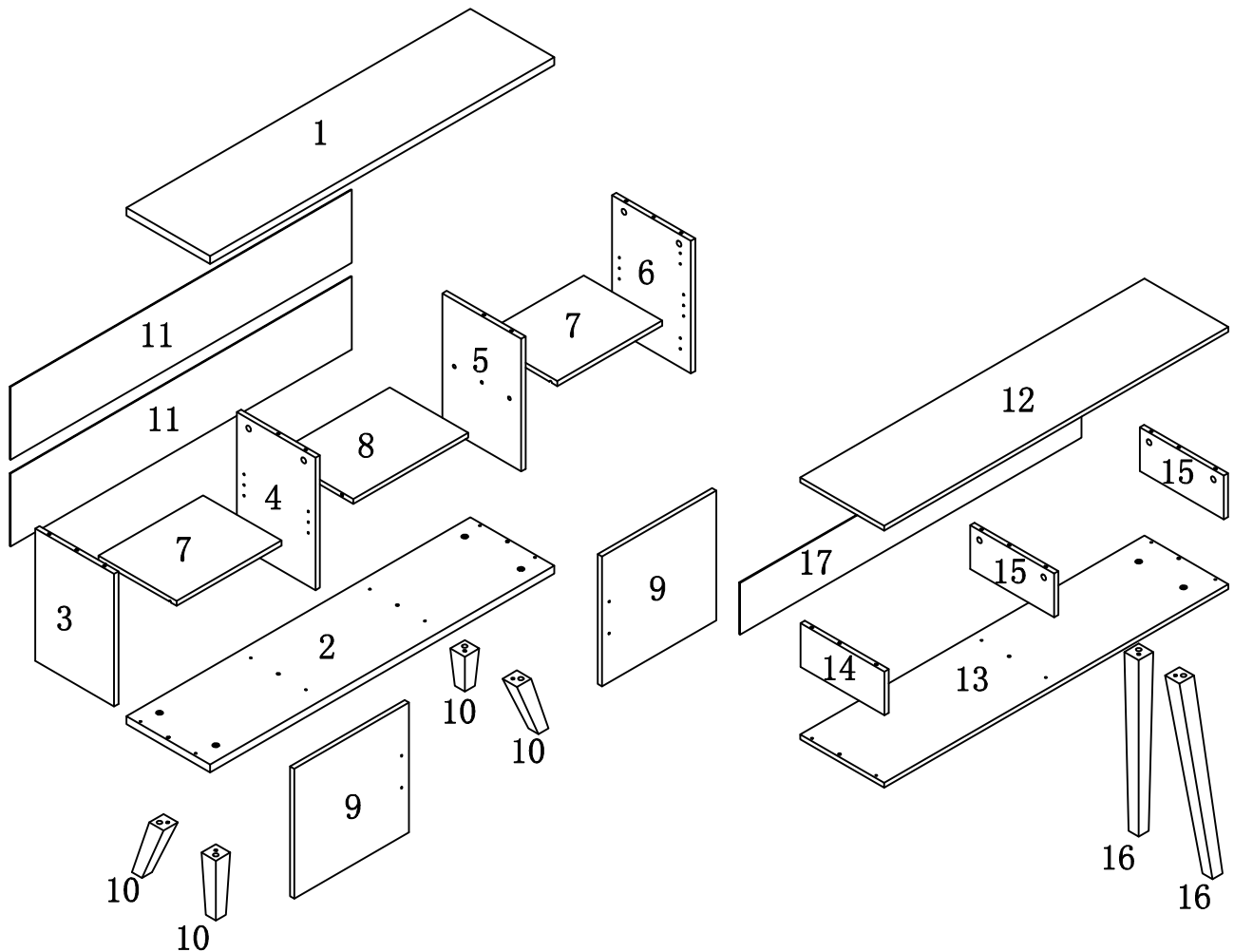
Tip #3: Read manual before assembling, it helps!

ITEM#: 202745



PARTS IDENTIFICATION

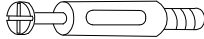


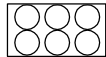
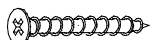






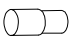


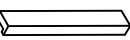


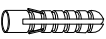
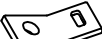

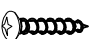


ITEM#: 202745



(1)	1pc	(8)	1pc	(15)	2pcs
(2)	1pc	(9)	2pcs	(16)	2pcs
(3)	1pc	(10)	4pcs	(17)	1pc
(4)	1pc	(11)	2pcs		
(5)	1pc	(12)	1pc		
(6)	1pc	(13)	1pc		
(7)	2pcs	(14)	1pc		

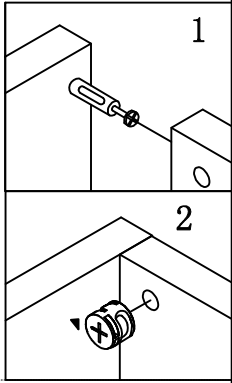
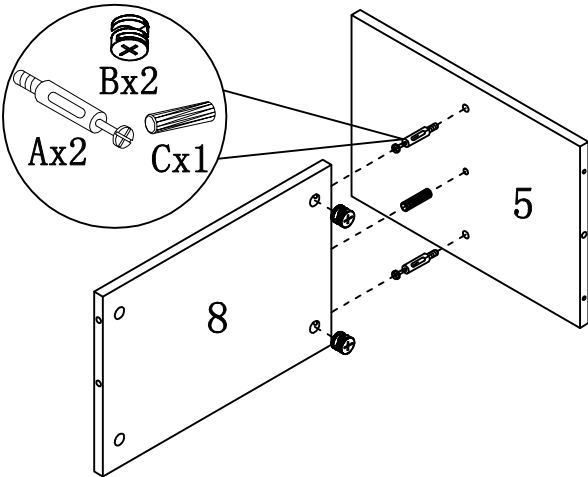
HARDWARE IDENTIFICATION

ITEM#: 202745

A		L29	18pcs
B		Ø15	18pcs
C		Ø8x25	22pcs
D		Ø22 HZN	12pcs
E		Ø4x35	14pcs
F		M8x35	4pcs
G		Ø8xØ16x2	6pcs
H		M8x25	2pcs
I		M5	1pc
J		Ø16	6pcs
K			57pcs
L		Ø5x15	8pcs
M		301A	4pcs
N		Ø4x16	16pcs
O		96#	2pcs
P		Ø4x20	4pcs
Q		Ø22 WH3	8pcs
R		Ø8x40	1pc
S		Ø12x12x1	2pcs
T		Ø5x40	1pc
U		Ø4x25	1pc
V		197×5×1	1pc
W		Glue: For securing please apply to wood dowel first before inserting into panel	1pc

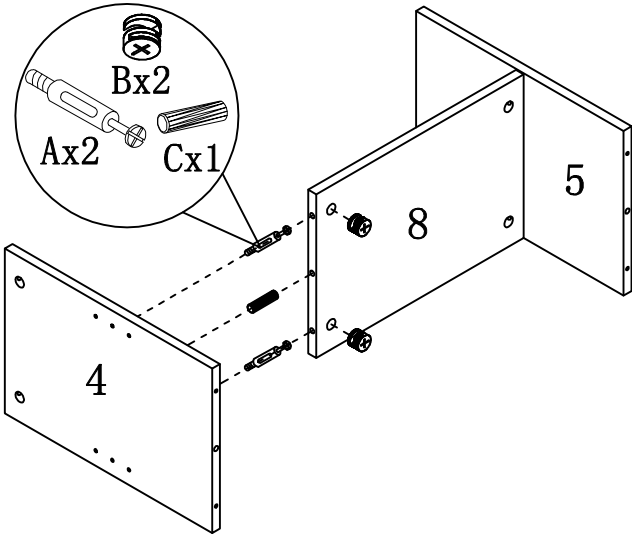
ASSEMBLY INSTRUCTION

ITEM#: 202745



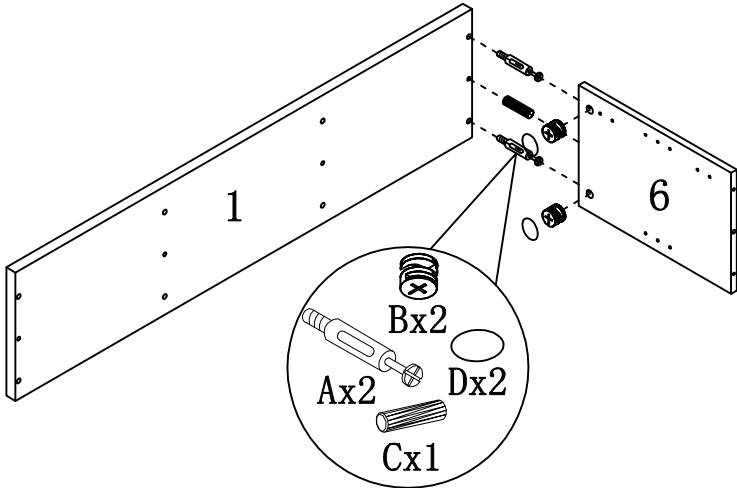
STEP 1

STEP 2



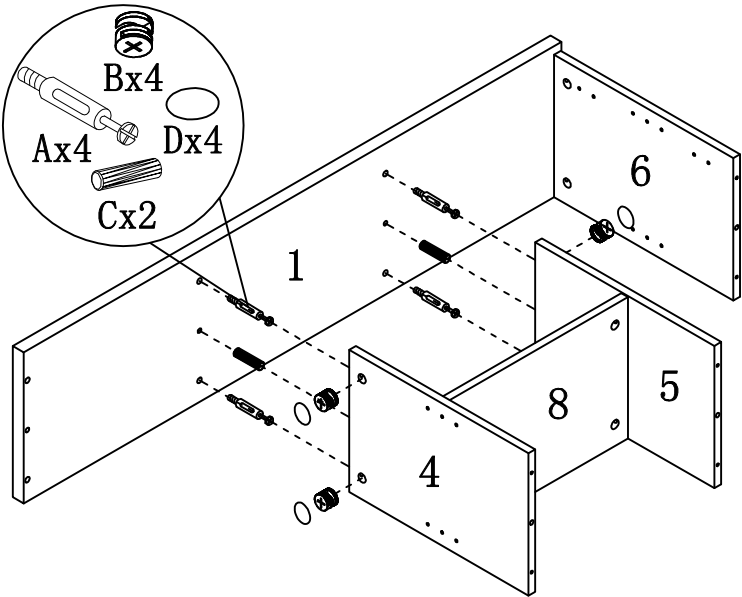
ASSEMBLY INSTRUCTION

ITEM#: 202745



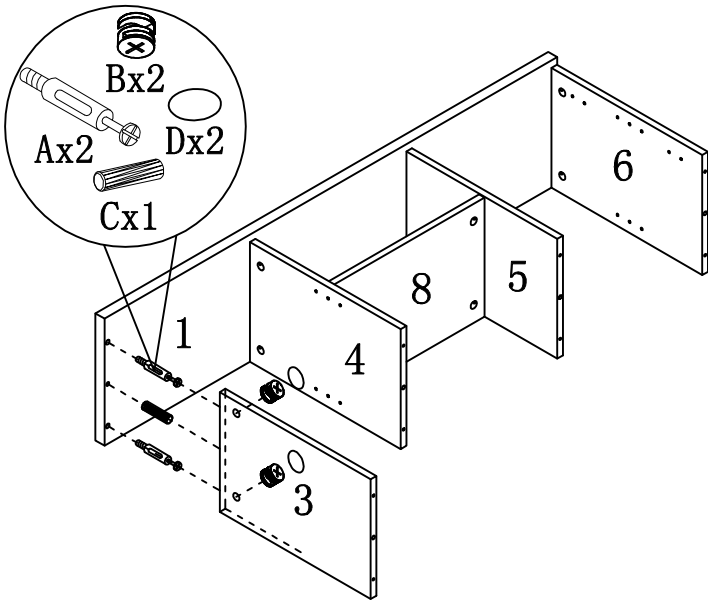
STEP3

STEP4



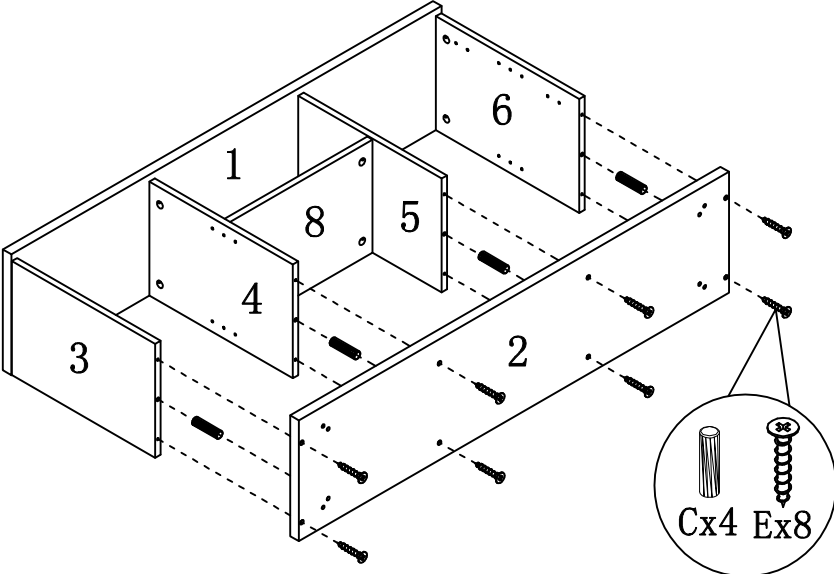
ASSEMBLY INSTRUCTION

ITEM#: 202745



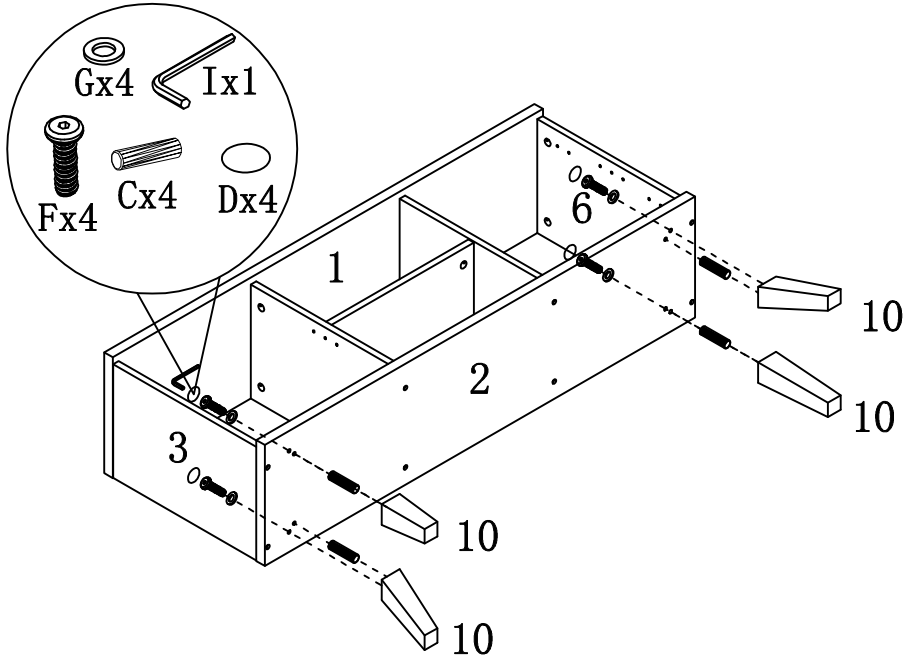
STEP5

STEP6



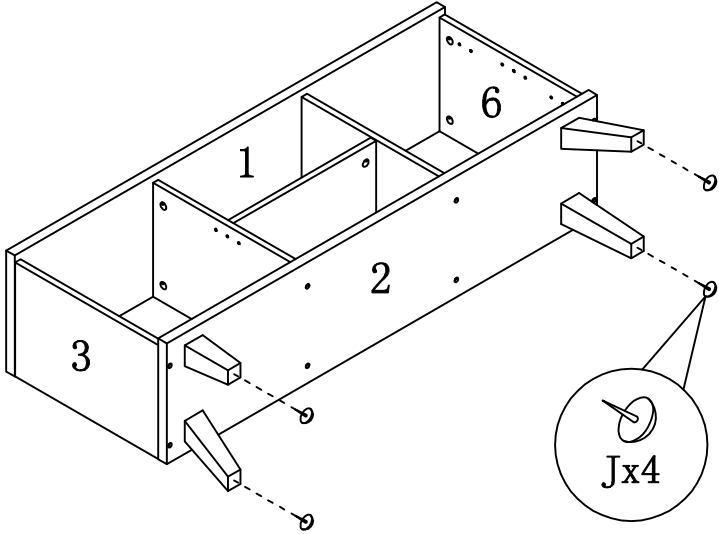
ASSEMBLY INSTRUCTION

ITEM#: 202745



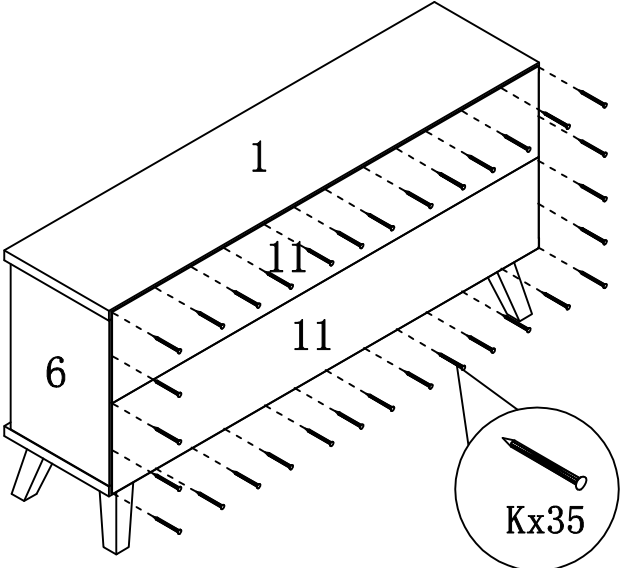
STEP7

STEP8



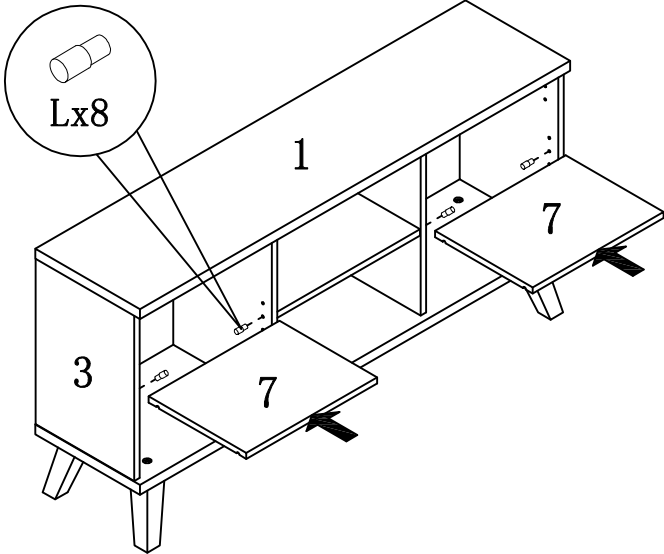
ASSEMBLY INSTRUCTION

ITEM#: 202745



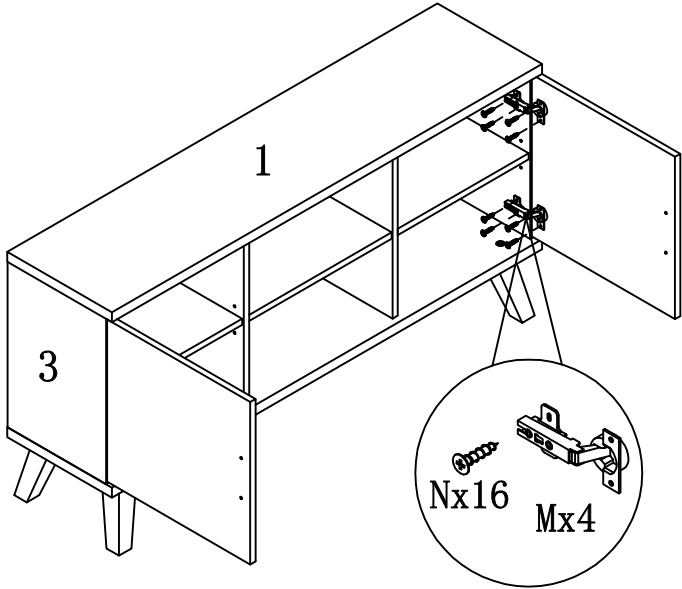
STEP9

STEP10



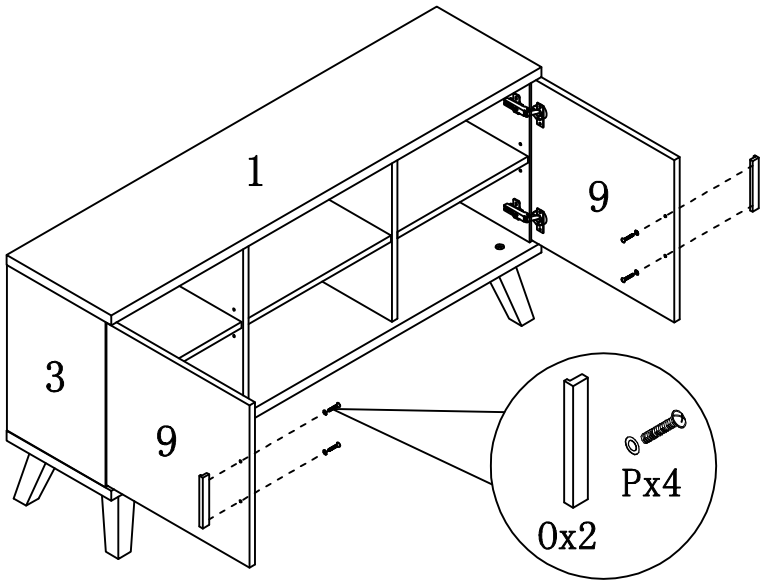
ASSEMBLY INSTRUCTION

ITEM#: 202745



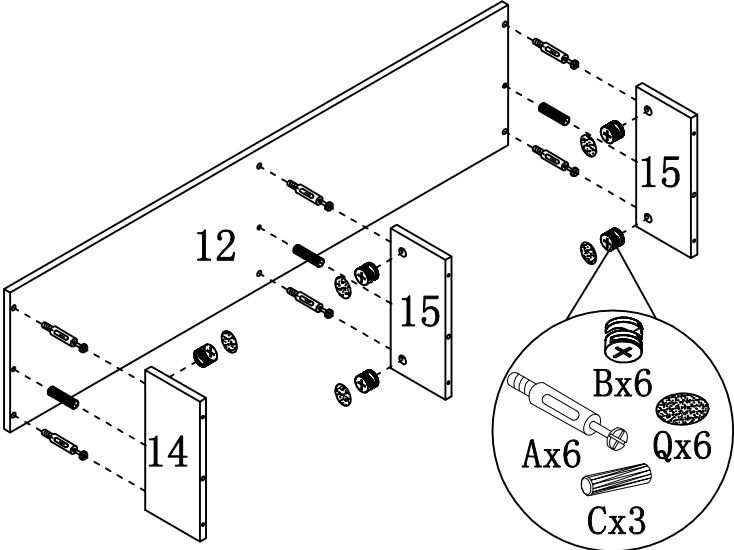
STEP11

STEP12



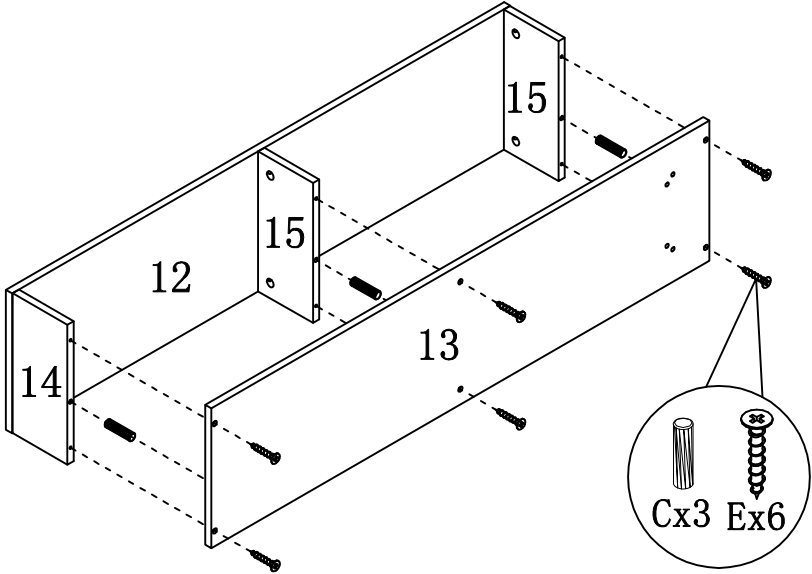
ASSEMBLY INSTRUCTION

ITEM#: 202745



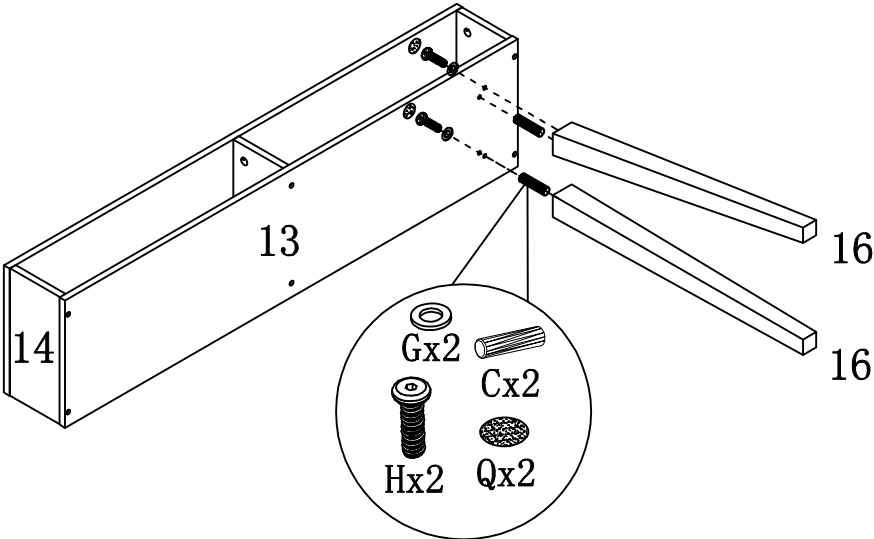
STEP13

STEP14



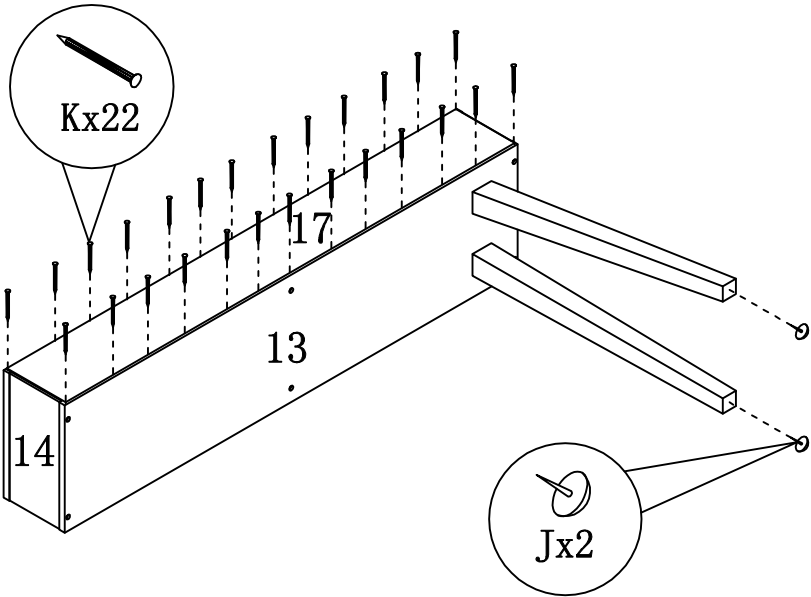
ASSEMBLY INSTRUCTION

ITEM#: 202745



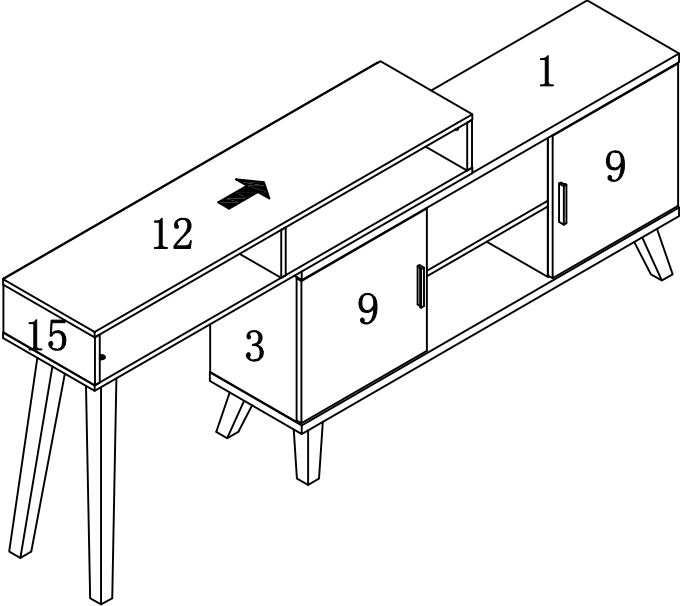
STEP15

STEP16



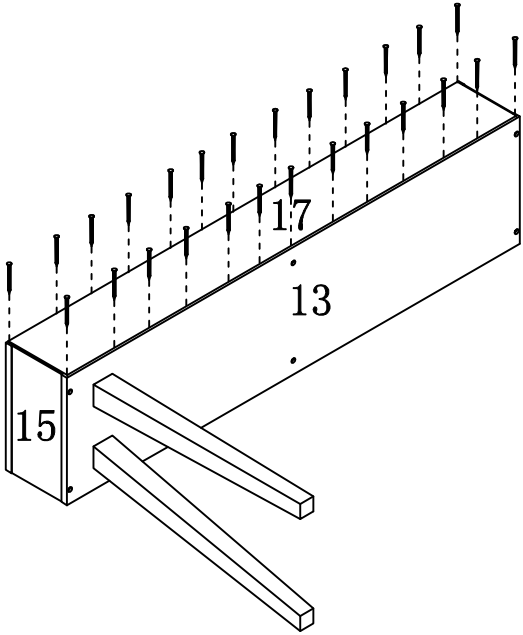
ASSEMBLY INSTRUCTION

ITEM#: 202745



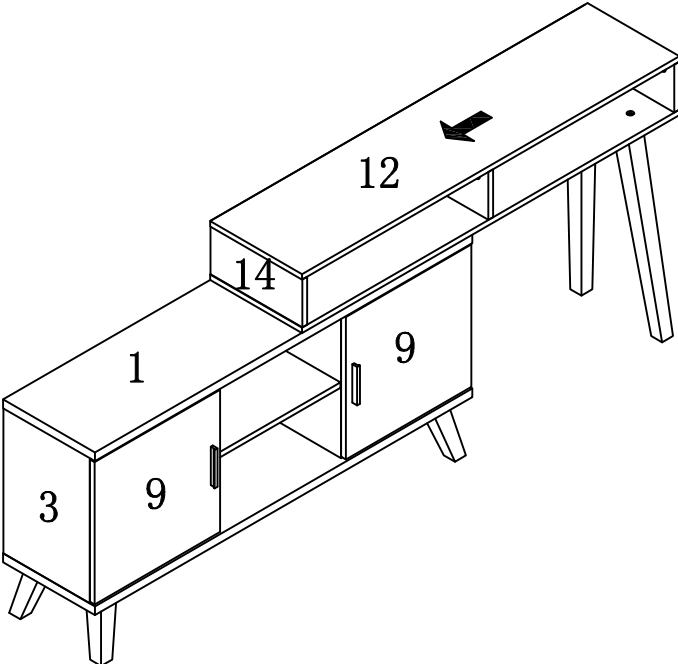
STEP17

STEP18



ASSEMBLY INSTRUCTION

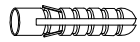
ITEM#: 202745



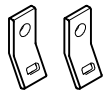
STEP 19

ANTI-TIPPING STRAP INSTRUCTION

HARDWARE (INCLUDED) :



DRYWALL ANCHOR $\phi 8 \times 40$ X 1PC



METAL BRACKETS $12 \times 12 \times 1$ X 2PCS



DRYWALL SCREW $\phi 5 \times 40$ X 1PC

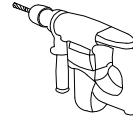


STRAP $197 \times 5 \times 1$ X 1PC



FLATHEAD SCREW $\phi 4 \times 25$ X 1PC

TOOLS NEEDED (NOT INCLUDED) :



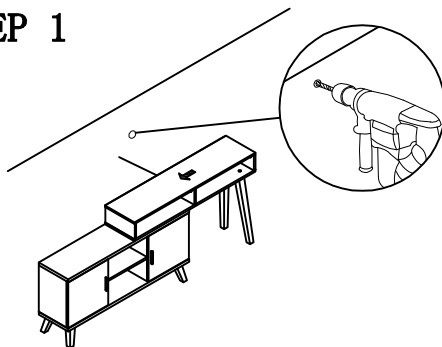
DRILL & DRILL BIT



LIGHT HAMMER

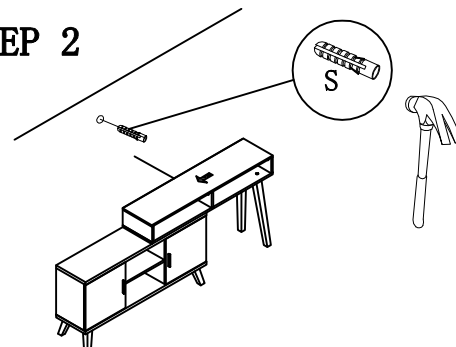
Note: Hardware included only compatible with standard drywalls.

STEP 1



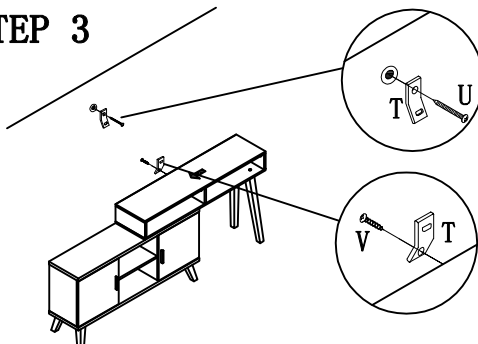
1. Find spot on wall 1" below top of item.
2. Using a drill bit slightly thinner than anchor, drill hole into drywall.

STEP 2



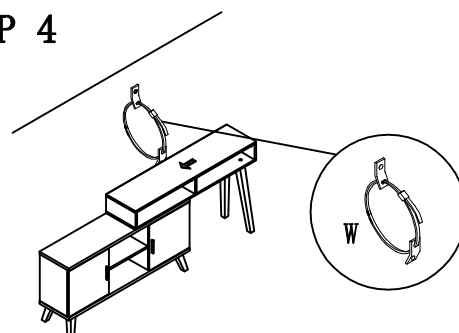
1. Use a light hammer to tap anchor into hole.
2. Anchor should fit snugly. If hole is too small, drill again to increase hole size. Do not force anchor into wall.

STEP 3



1. Insert drywall screw into metal bracket and into drywall anchor.
2. Insert flathead screw into second metal bracket and into back of item along top edge.

STEP 4



1. Insert strap thru bracket attached to wall, then thru bracket on item, and into head of strap.
 2. pull lightly til strap stops.
- Assembly is complete.