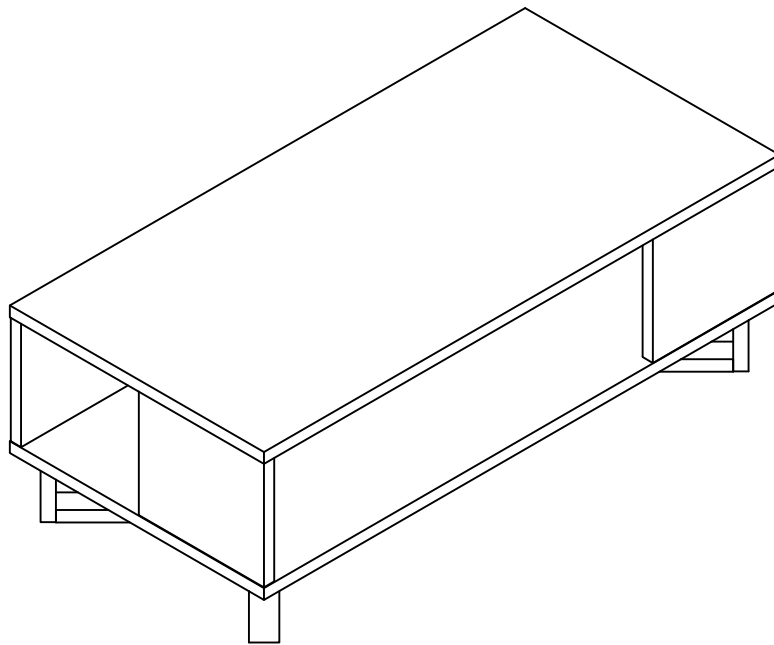


ASSEMBLY INSTRUCTION

ITEM#: 202726CT



ASSEMBLY INSTRUCTION

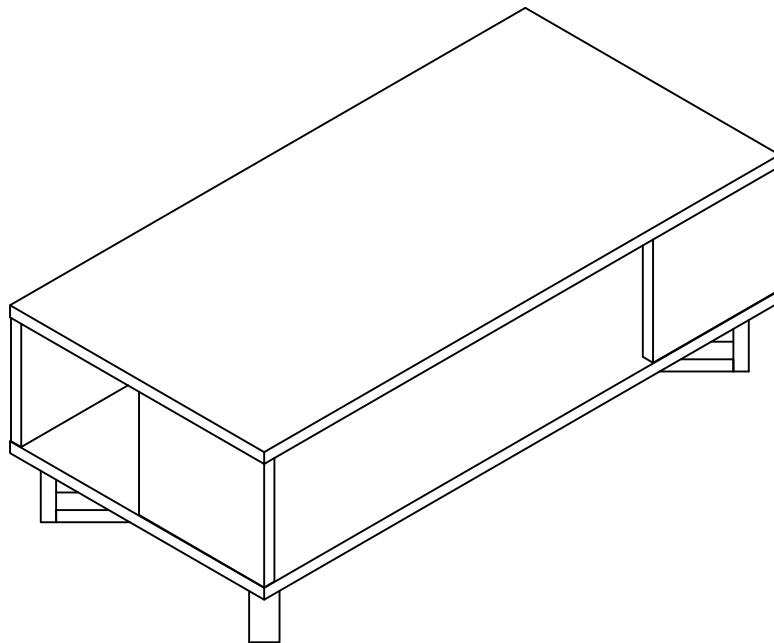
PLEASE READ BEFORE ASSEMBLING!

Tip #1: Make sure you've taken all the pieces and hardware out of its packaging before discarding the box. Assembly on top of flattened box/blanket is recommended.

Tip #2: Using page 2 and/or page 3 of instruction manual make sure all pieces and hardware are accounted for.

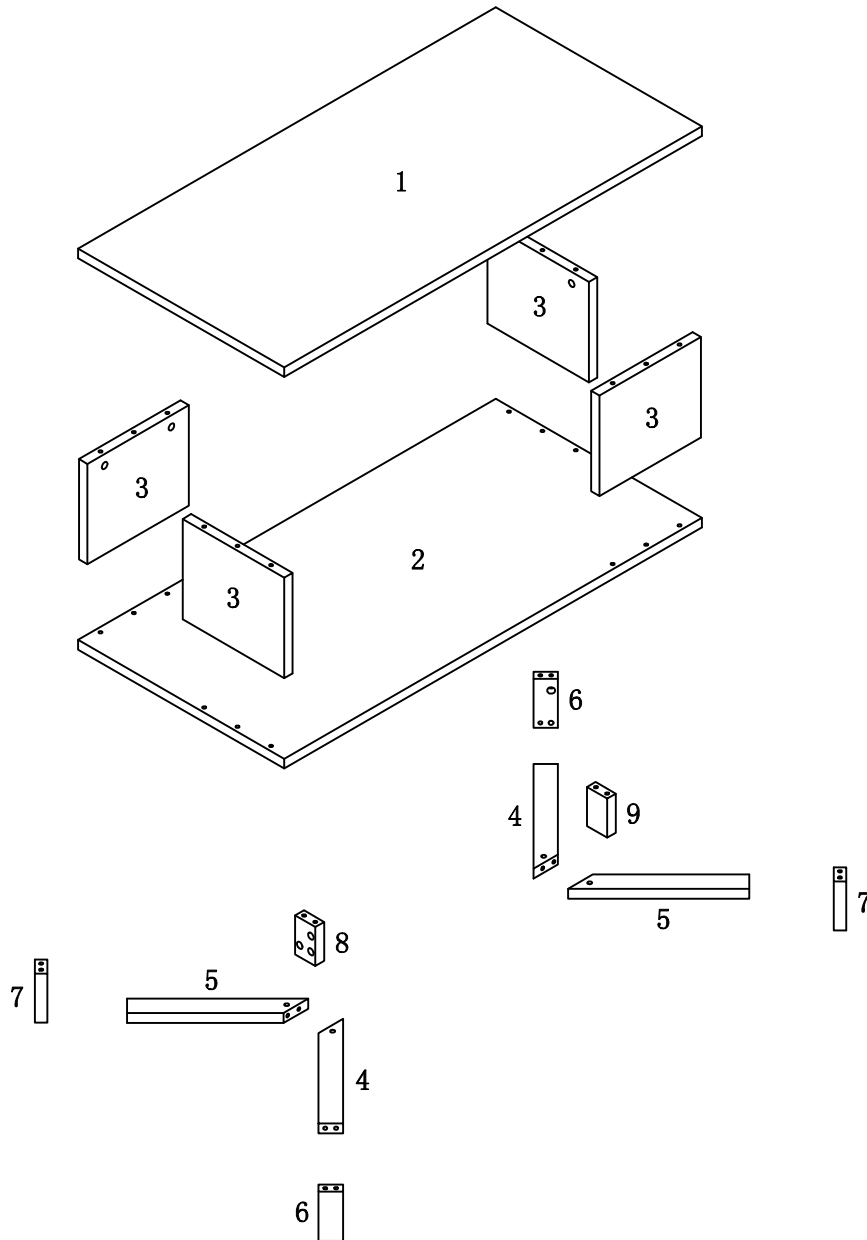
Tip #3: Note position of all holes on each panel during assembly.

ITEM#: 202726CT



PARTS IDENTIFICATION

ITEM#: 202726CT



(1)	1pc	(6)	2pcs
(2)	1pc	(7)	2pcs
(3)	4pcs	(8)	1pc
(4)	2pcs	(9)	1pc
(5)	2pcs		

HARDWARE IDENTIFICATION

ITEM#: 202726CT

A
B
C
D
E
F
G
H



L29

22pcs



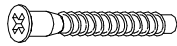
Ø15

22pcs



Ø8x25

22pcs



Ø7x48

8pcs



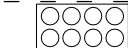
Ø16xØ8x2

8pcs



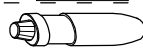
Ø16

6pcs



Ø22 (WW)

18pcs

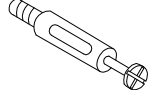

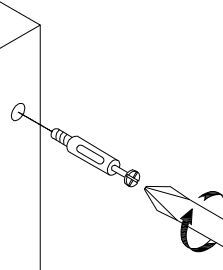
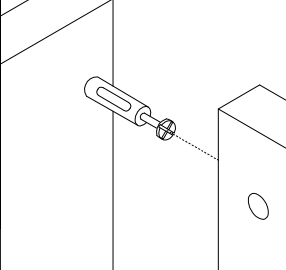
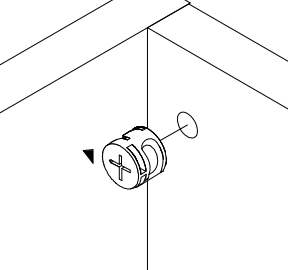
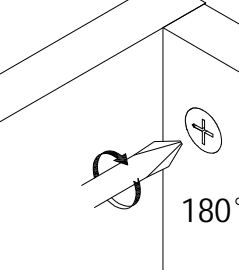


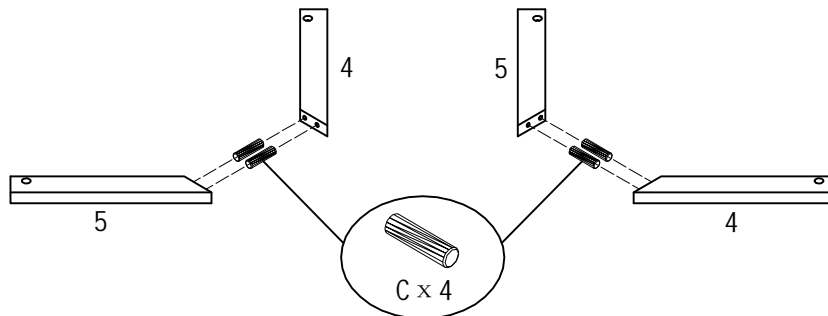
Glue: For securing please apply to wood
dowel first before inserting into panel

1pc

ASSEMBLY INSTRUCTION

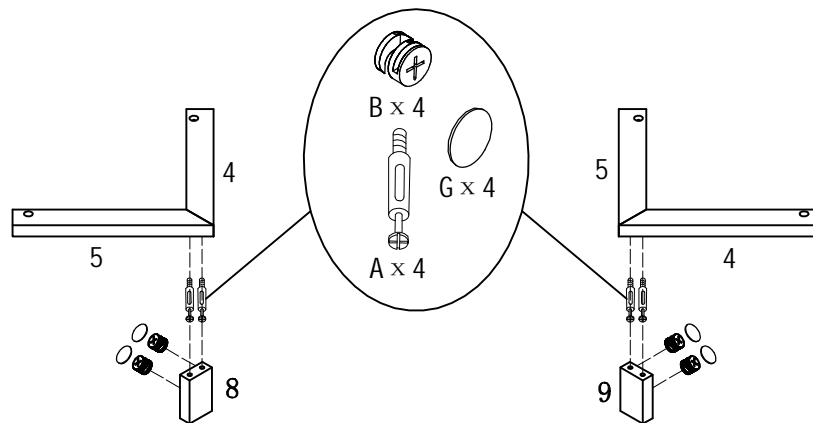
ITEM#: 202726CT

HOW TO	1	2	3	4
 <p>Cam Bolt</p>  <p>Cam Lock</p>				 <p>180°</p>
	<p>1. Screw Cam Bolt into panel.</p>	<p>2. Insert Cam Bolt into bolt hole of joining panel.</p>	<p>3. Insert Cam Lock. arrow facing bolt.</p>	<p>4. Gently turn Cam Lock clockwise to lock position.</p>



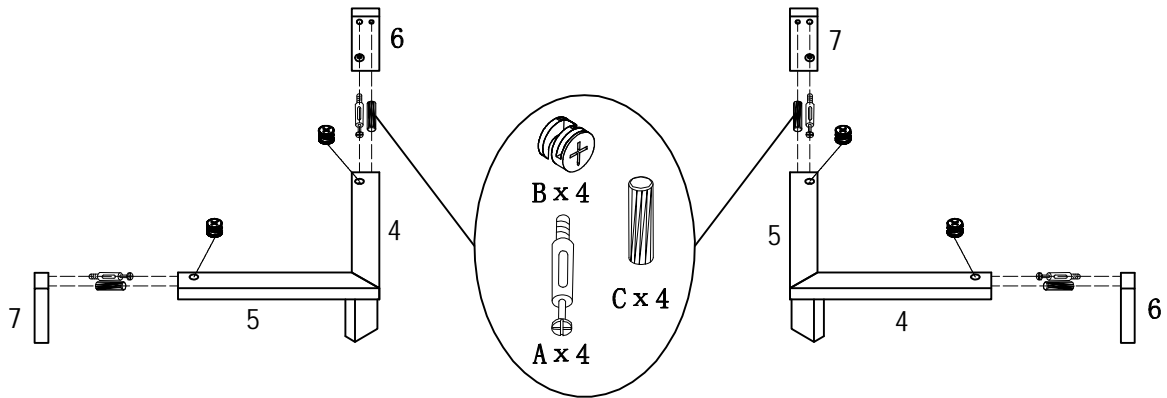
STEP1

STEP2



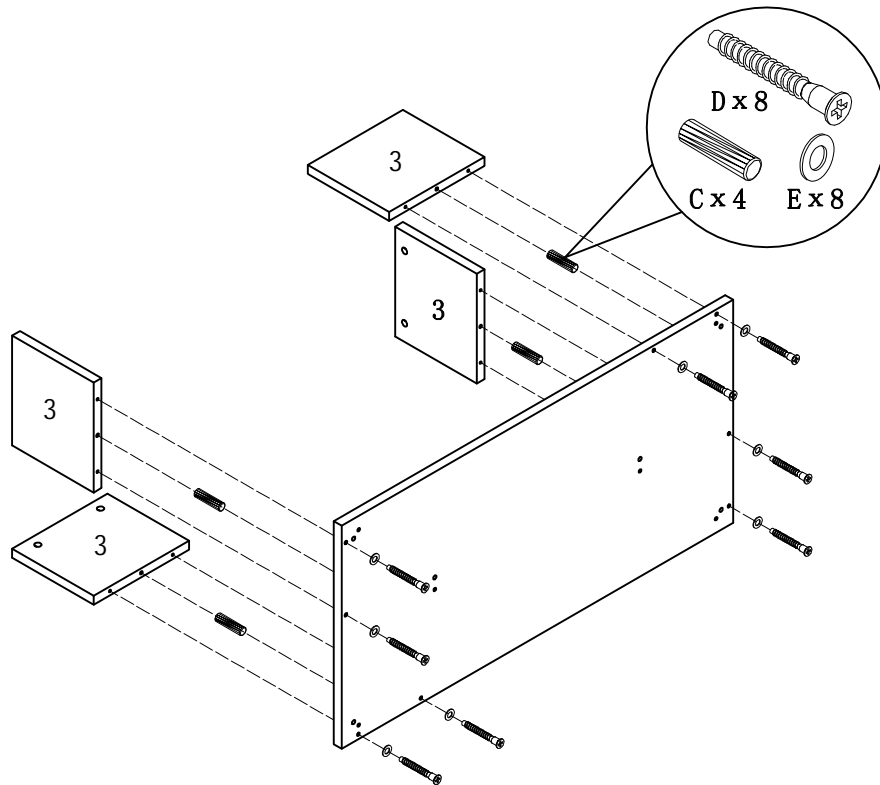
ASSEMBLY INSTRUCTION

ITEM#: 202726CT



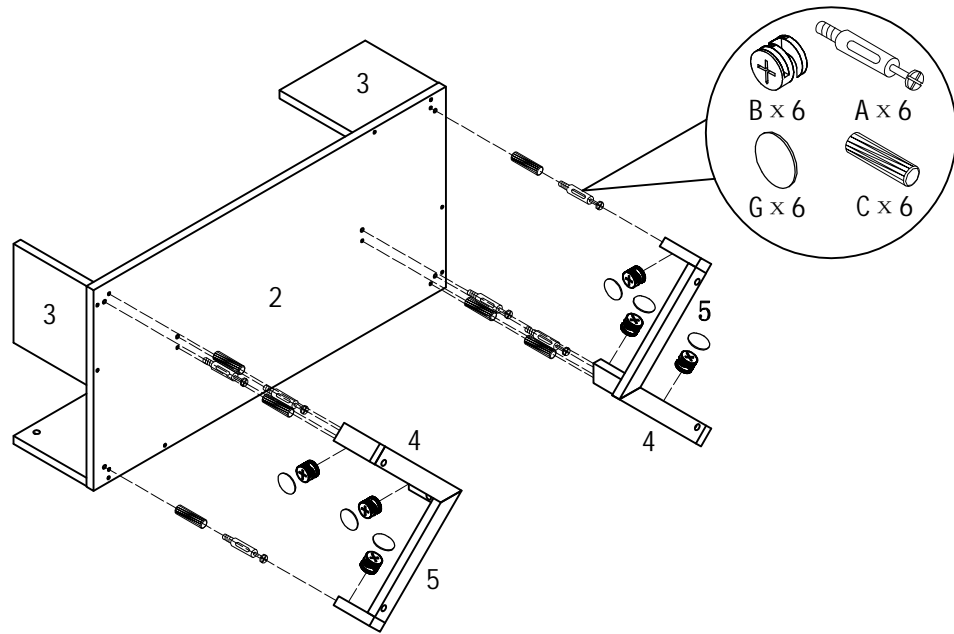
STEP 3

STEP 4



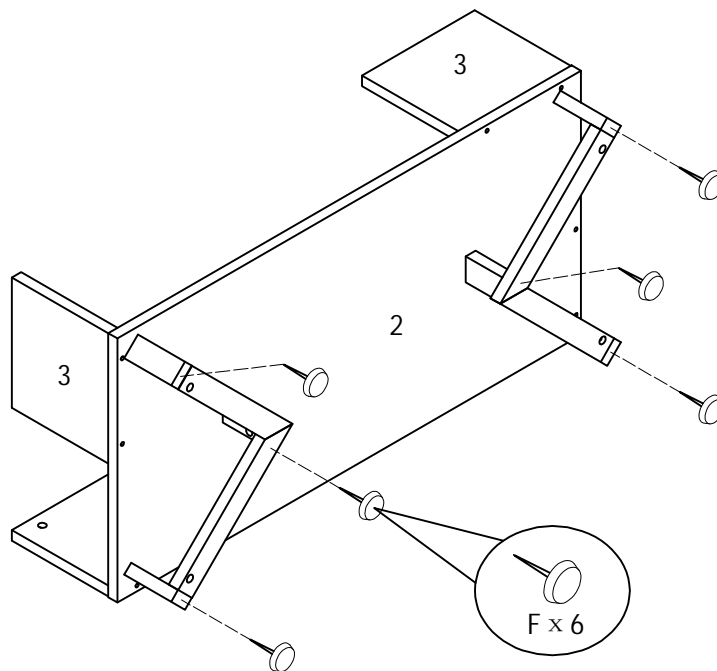
ASSEMBLY INSTRUCTION

ITEM#: 202726CT



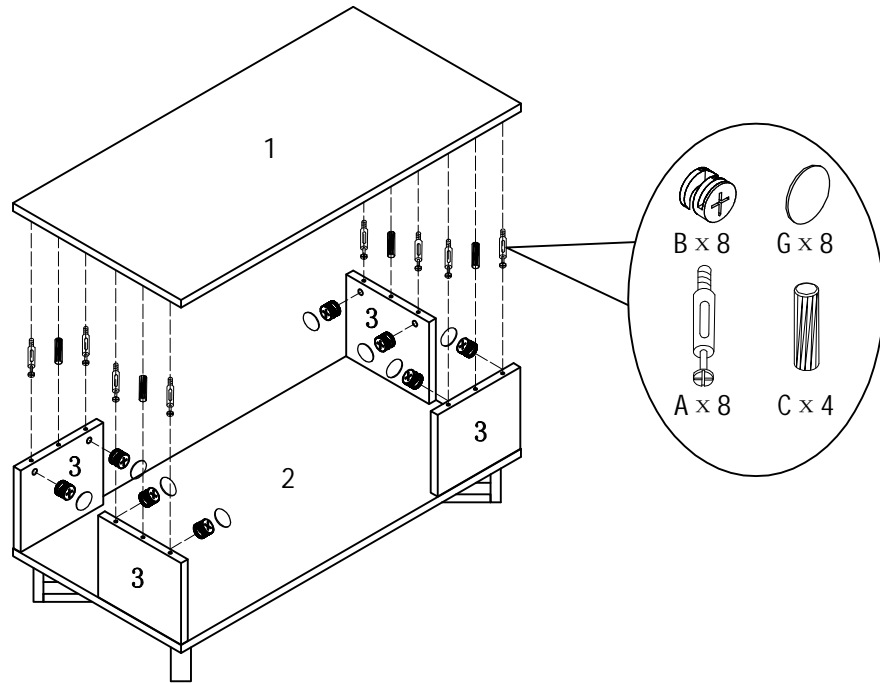
STEP5

STEP6



ASSEMBLY INSTRUCTION

ITEM#: 202726CT



STEP 7

STEP 8

