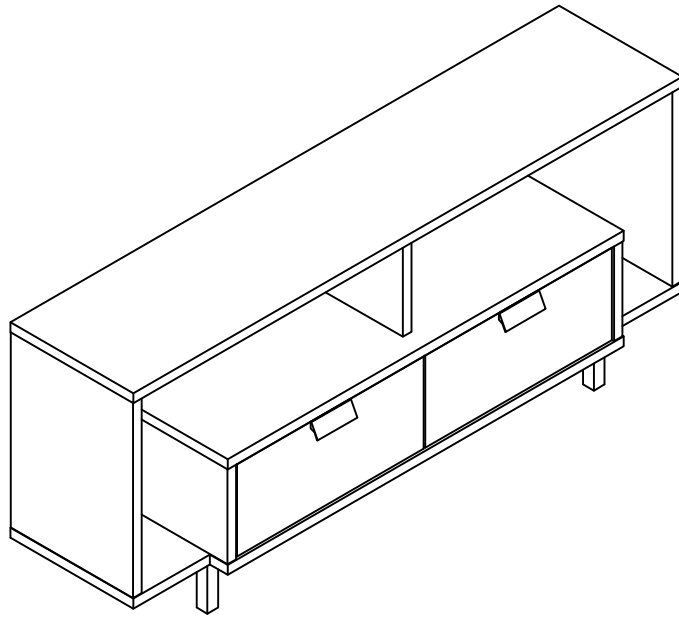


# ASSEMBLY INSTRUCTION

---

ITEM#: 192639



# ASSEMBLY INSTRUCTION

---

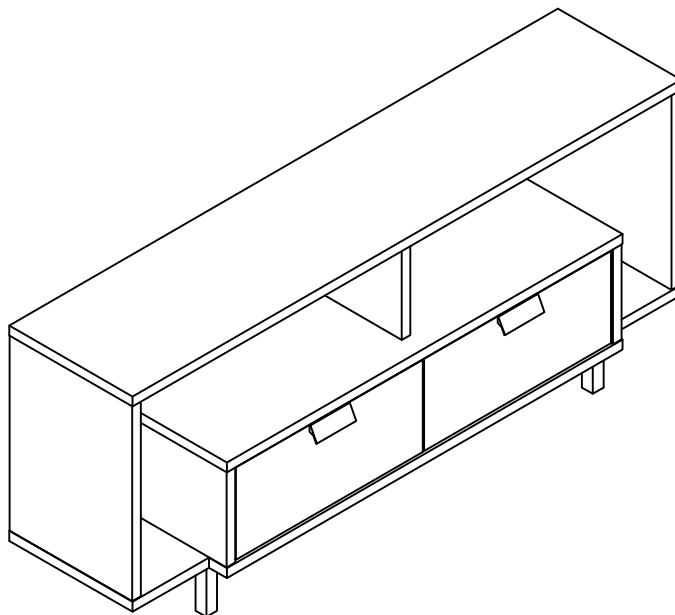
## **PLEASE READ BEFORE ASSEMBLING!**

Tip #1: Make sure you've taken all the pieces and hardware out of its packaging before discarding the box.

Tip #2: Using page 2 and/or page 3 of instruction manual make sure all pieces and hardware are accounted for.

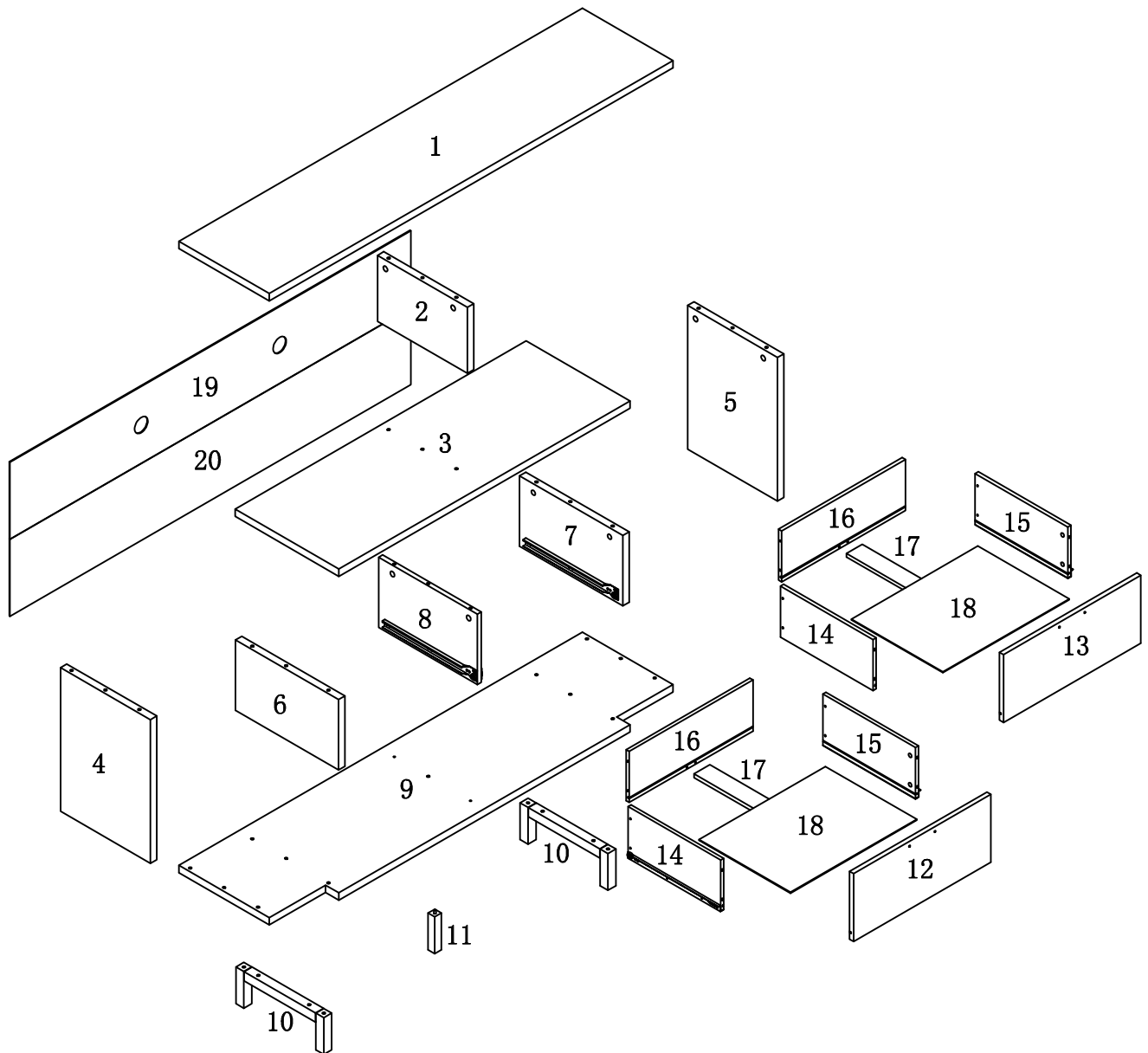
Tip #3: Read manual before assembling, it helps!

ITEM#: 192639



# PARTS IDENTIFICATION




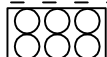
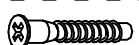

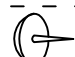


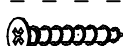
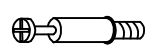

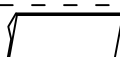




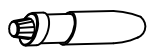
ITEM#: 192639



(1)	1pc	(8)	1pc	(15)	2pcs
(2)	1pc	(9)	1pc	(16)	2pcs
(3)	1pc	(10)	2pcs	(17)	2pcs
(4)	1pc	(11)	1pc	(18)	2pcs
(5)	1pc	(12)	1pc	(19)	1pc
(6)	1pc	(13)	1pc	(20)	1pc
(7)	1pc	(14)	2pcs		

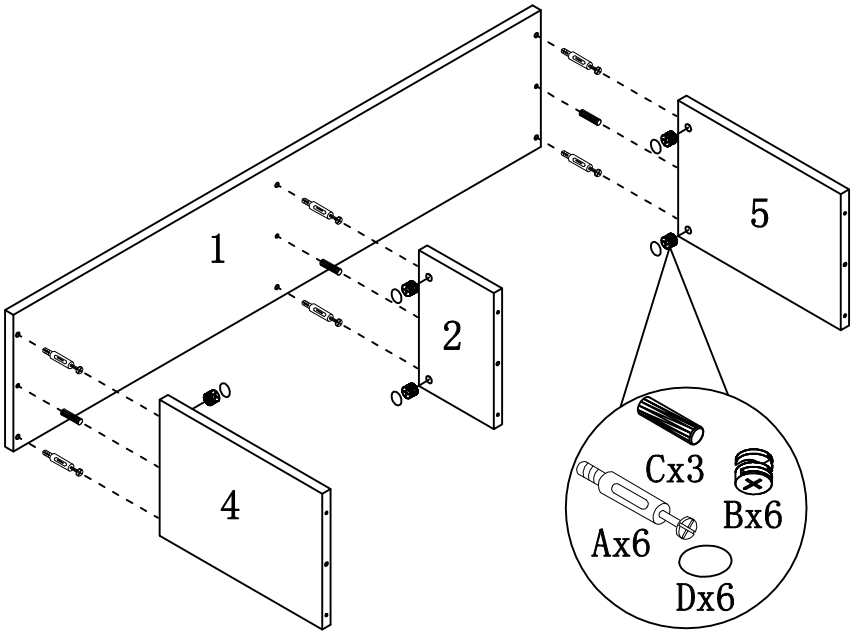
# HARDWARE IDENTIFICATION

ITEM#: 192639

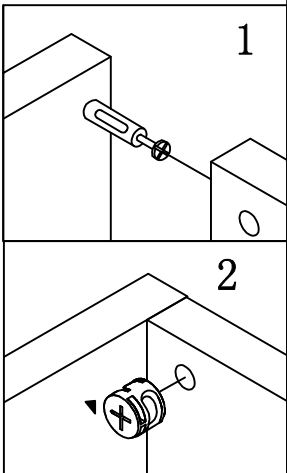
A		L29	12pcs
B		Ø15	12pcs
C		Ø8x25	16pcs
D		Ø22	6pcs
E		Ø7x48	10pcs
F		Ø8xØ16x2	14pcs
G		Ø16	4pcs
H		M6x40	4pcs
I			48pcs
J		Ø4x30	12pcs
K		L20	8pcs
L		Ø12	8pcs
M		96#	2pcs
N		Ø4x20	4pcs
O		M4	1pc
P		Ø6x30	4pcs
Q		Ø4x40	2pcs
R		Glue: For securing please apply to wood dowel first before inserting into panel	1pc

# ASSEMBLY INSTRUCTION

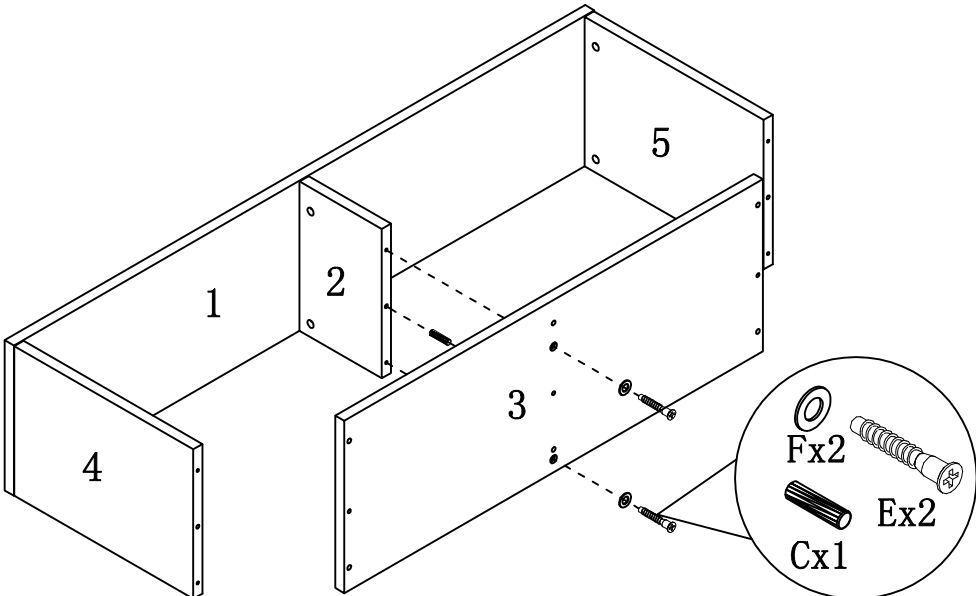
ITEM#: 192639



STEP 1

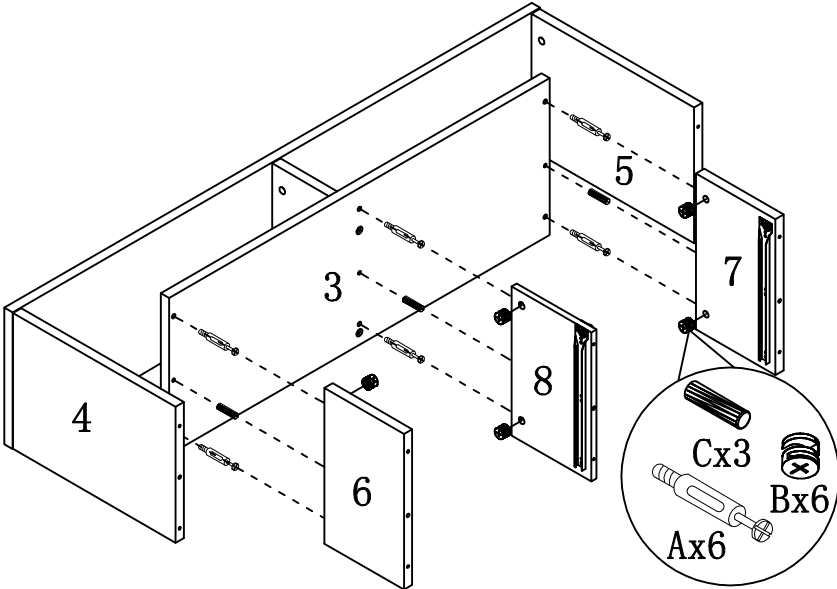


STEP 2



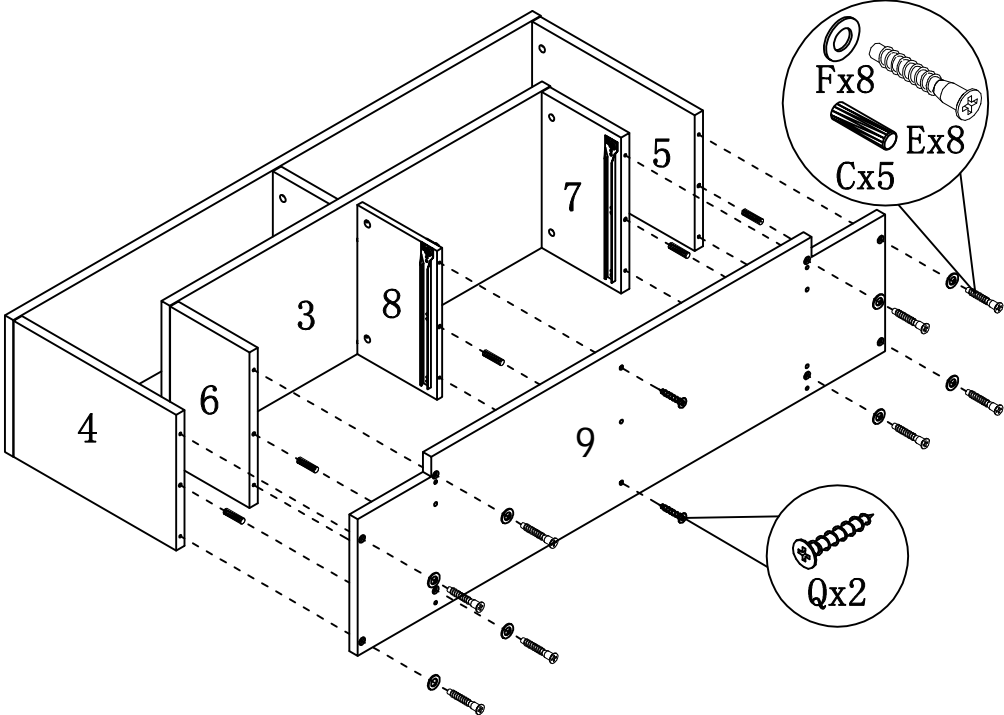
# ASSEMBLY INSTRUCTION

ITEM#: 192639



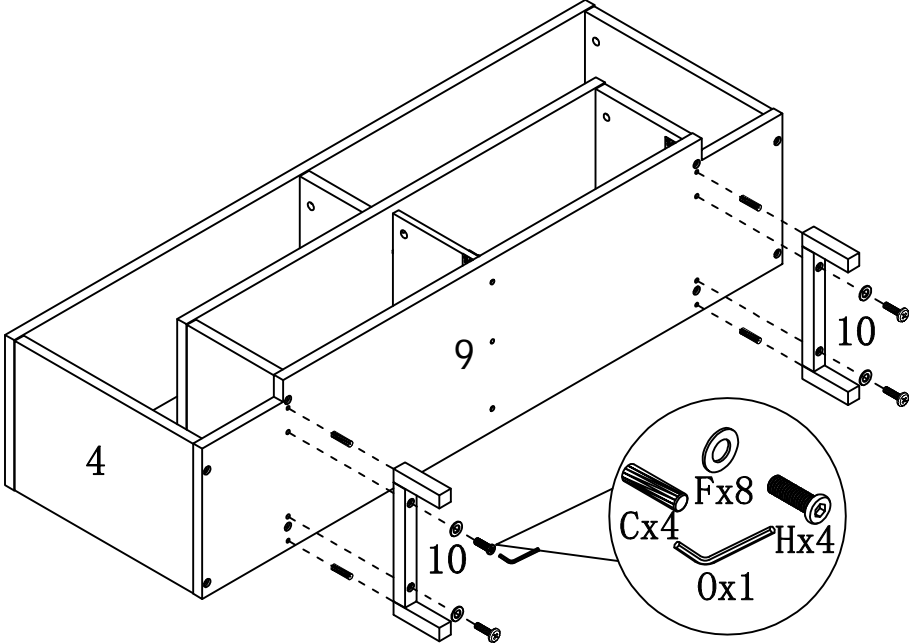
STEP3

STEP4



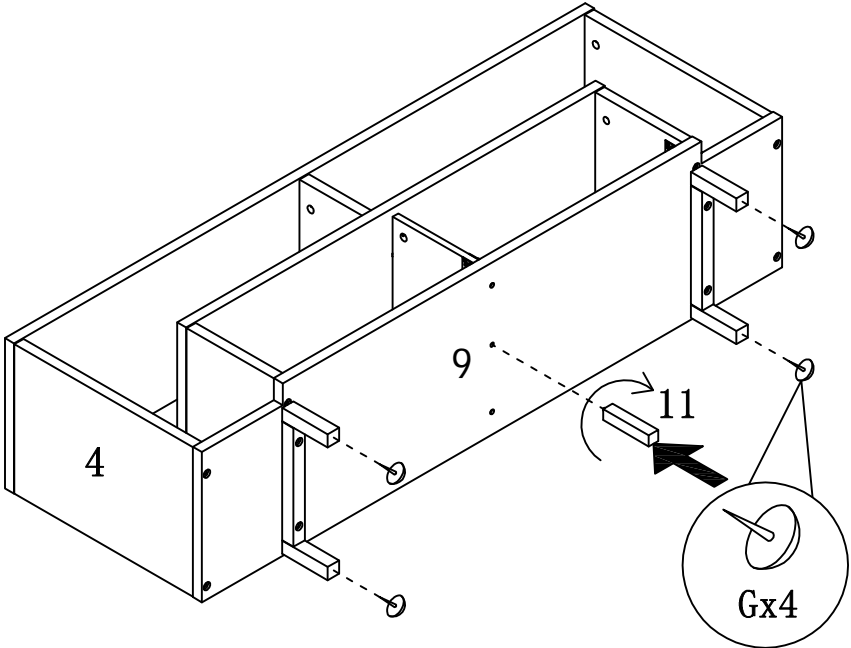
# ASSEMBLY INSTRUCTION

ITEM#: 192639



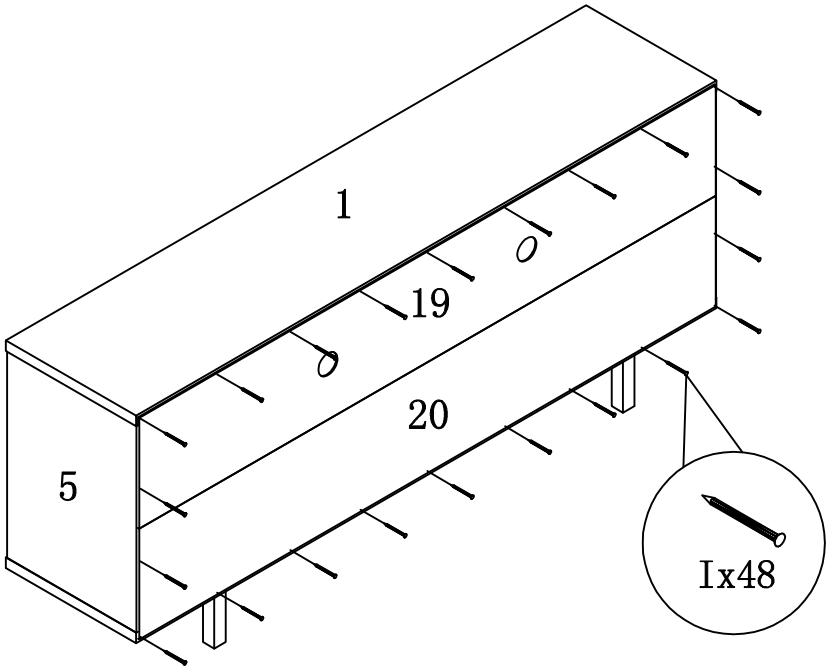
STEP5

STEP6



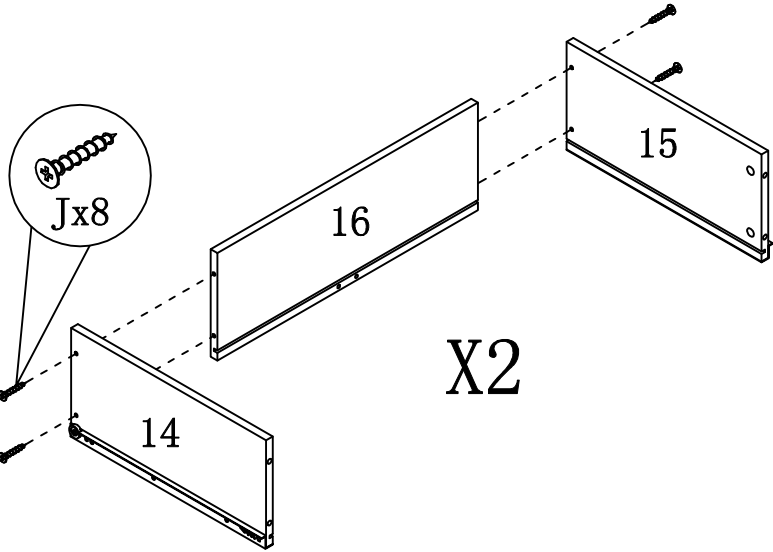
# ASSEMBLY INSTRUCTION

ITEM#: 192639



STEP7

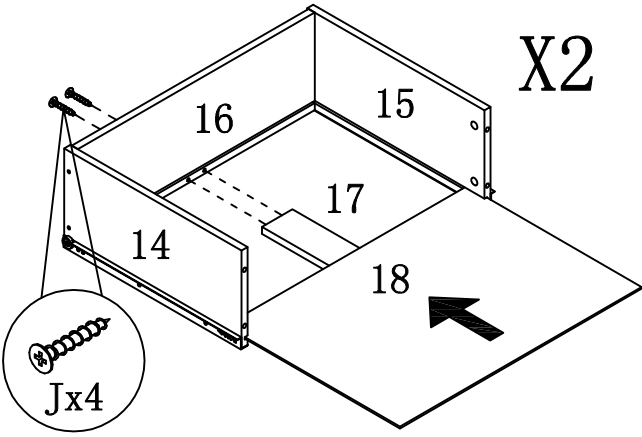
STEP8





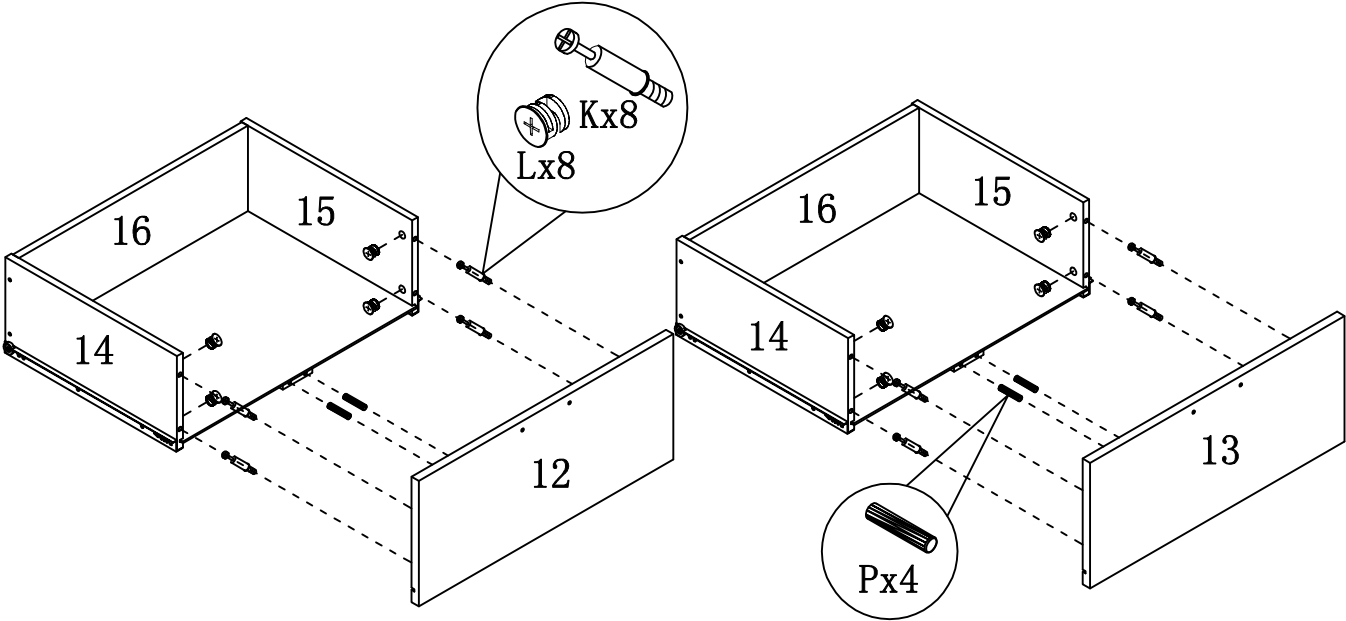
# ASSEMBLY INSTRUCTION

ITEM#: 192639



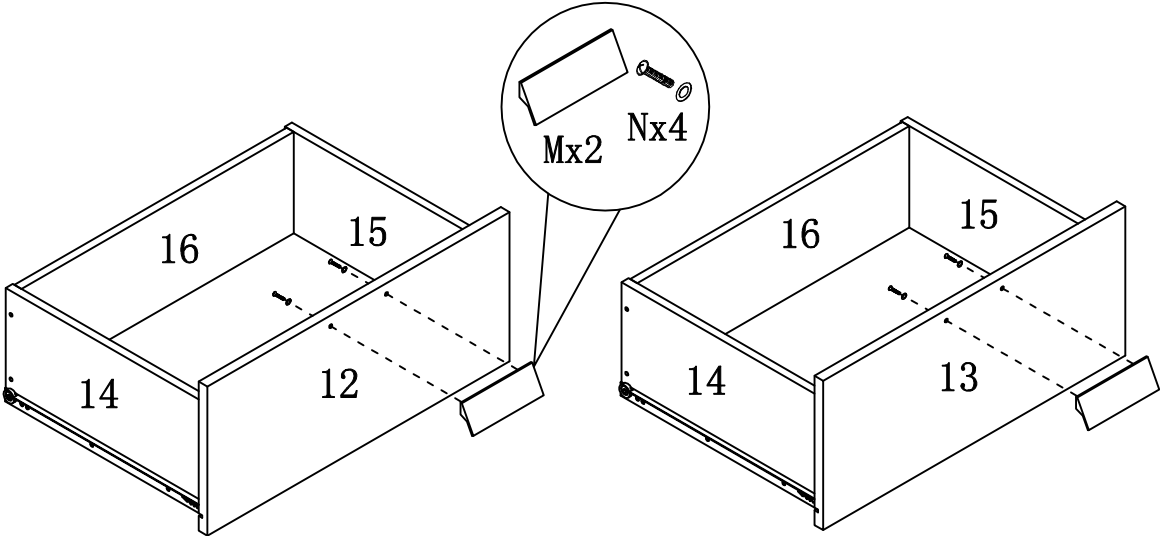
STEP9

STEP10



# ASSEMBLY INSTRUCTION

ITEM#: 192639



STEP11

STEP12

