

# ASSEMBLY INSTRUCTION

---

## PLEASE READ BEFORE ASSEMBLING!

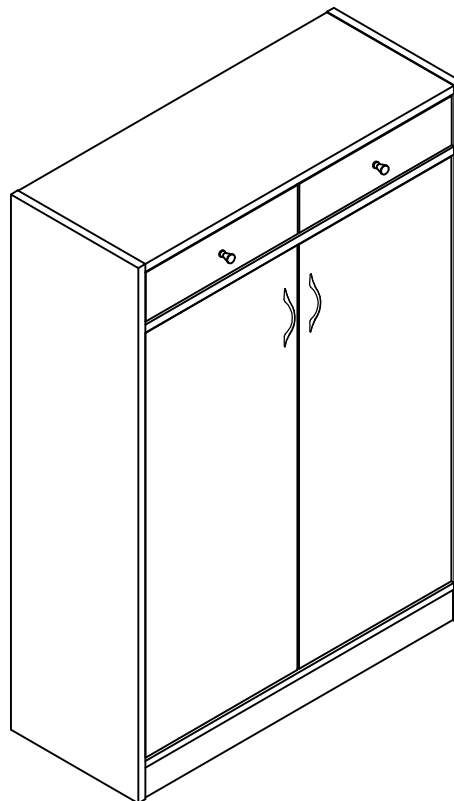
Tip #1: Make sure you've taken all the pieces and hardware out of its packaging before discarding the box. Assembly on top of flattened box/blanket is recommended.

Tip #2: Using page 2 and/or page 3 of instruction manual make sure all pieces and hardware are accounted for.

Tip #3: Note position of all holes on each panel during assembly.

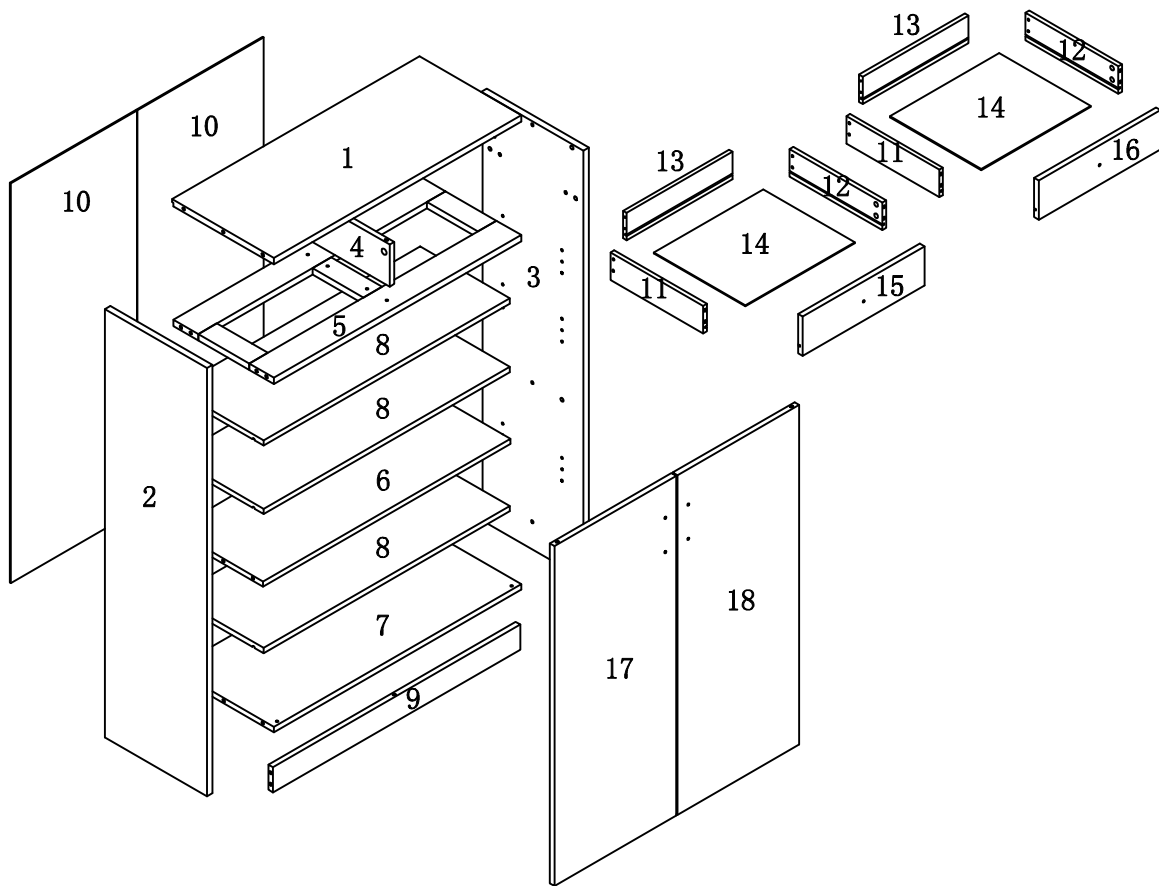
ITEM#: 161569-A 192499-A 106138-A 192619

Need some help?  
Scan here for  
assembly video.



# PARTS IDENTIFICATION



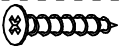
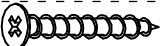
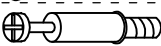

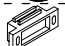

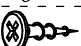
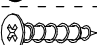



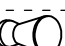

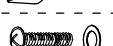
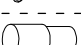



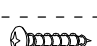
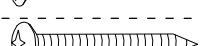



ITEM#: 161569-A 192499-A 106138-A 192619



(1)	1pc	(7)	1pc	(13)	2pcs
(2)	1pc	(8)	3pcs	(14)	2pcs
(3)	1pc	(9)	1pc	(15)	1pc
(4)	1pc	(10)	2pcs	(16)	1pc
(5)	1pc	(11)	2pcs	(17)	1pc
(6)	1pc	(12)	2pcs	(18)	1pc

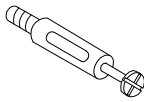

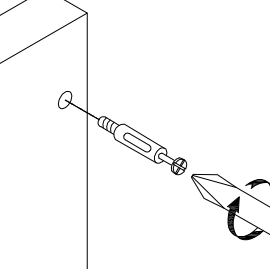
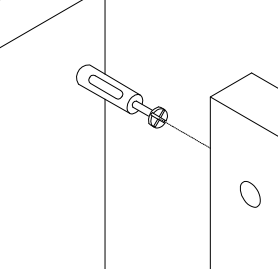
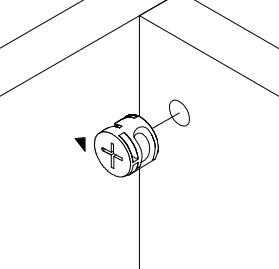
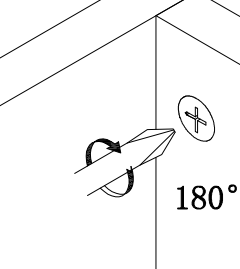
# HARDWARE IDENTIFICATION

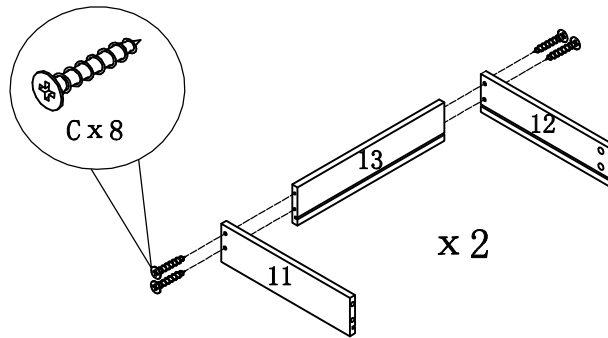
ITEM#: 161569-A    192499-A    106138-A    192619

A		L29	20pcs
B		ø15	20pcs
C		ø4x30	8pcs
D		ø4x40	4pcs
E		L20	8pcs
F		ø12	8pcs
G			2pcs
H			2pcs
I		ø3x14	4pcs
J		ø3x16	4pcs
K			30pcs
L		ø8x25	13pcs
M			2pcs
N			2pcs
O			2pcs
P		M4x20	6pcs
Q		ø5	12pcs
R		ø8x40	2pcs
S		ø16	5pcs
T		197×5×1	1pc
U		ø4x25	1pc
V		ø5x40	1pc
W		ø8 x 40	1pc
X		12×12×1	2pcs
Y		Glue: For securing please apply to wood dowel first before inserting into panel	1pc
Z			

# ASSEMBLY INSTRUCTION

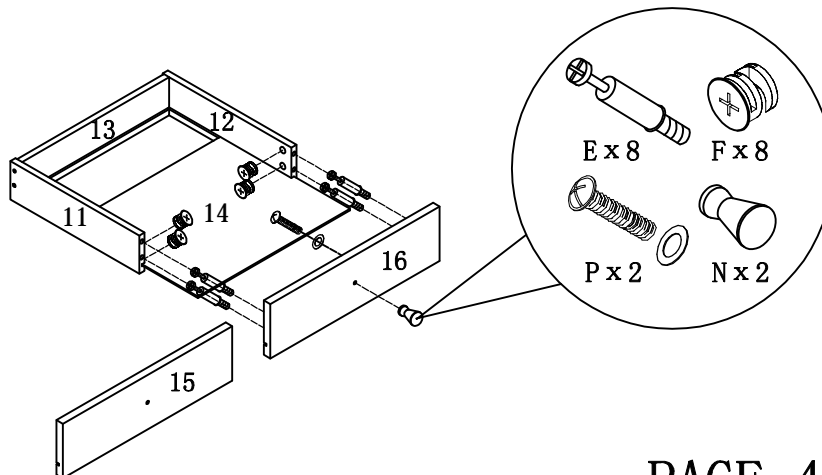
ITEM#: 161569-A 192499-A 106138-A 192619

HOW TO	1	2	3	4
 Cam Bolt   Cam Lock				
	1. Screw Cam Bolt into panel.	2. Insert Cam Bolt into bolt hole of joining panel.	3. Insert Cam Lock. arrow facing bolt.	4. Gently turn Cam Lock clockwise to lock position.



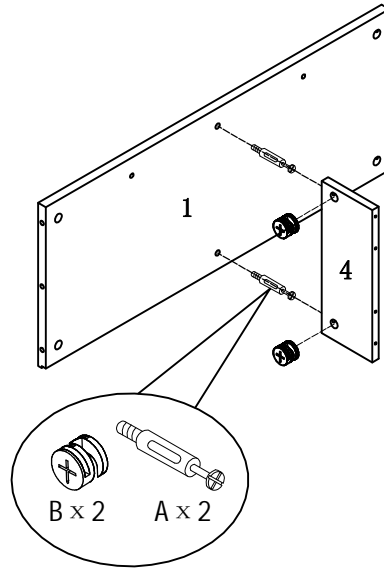
## STEP 1

## STEP 2



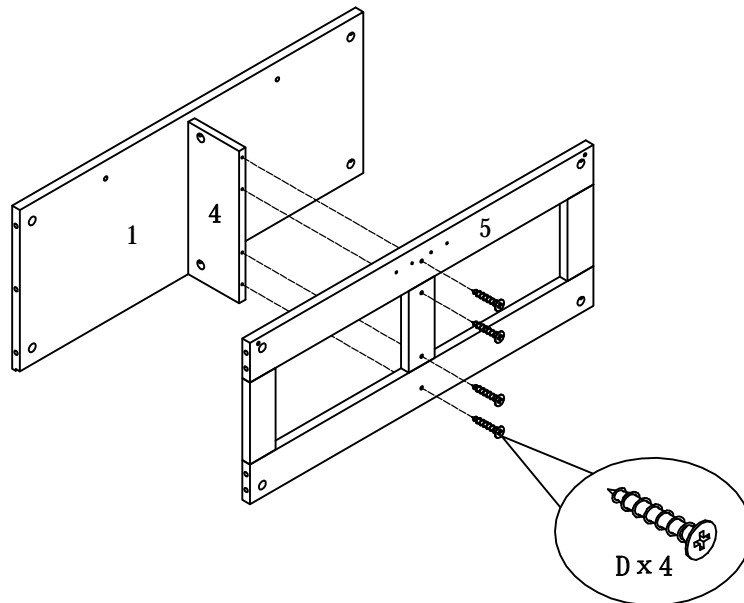
# ASSEMBLY INSTRUCTION

ITEM#:161569-A 192499-A 106138-A 192619



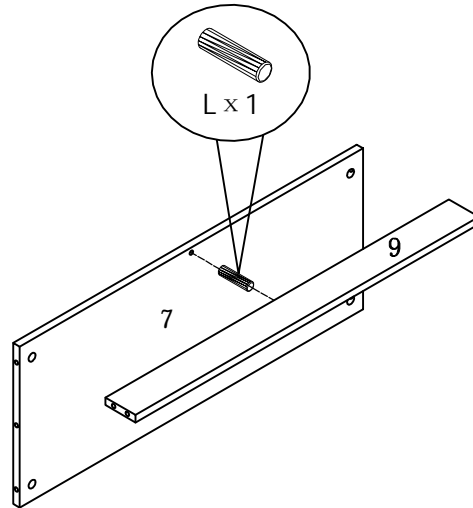
STEP3

STEP4



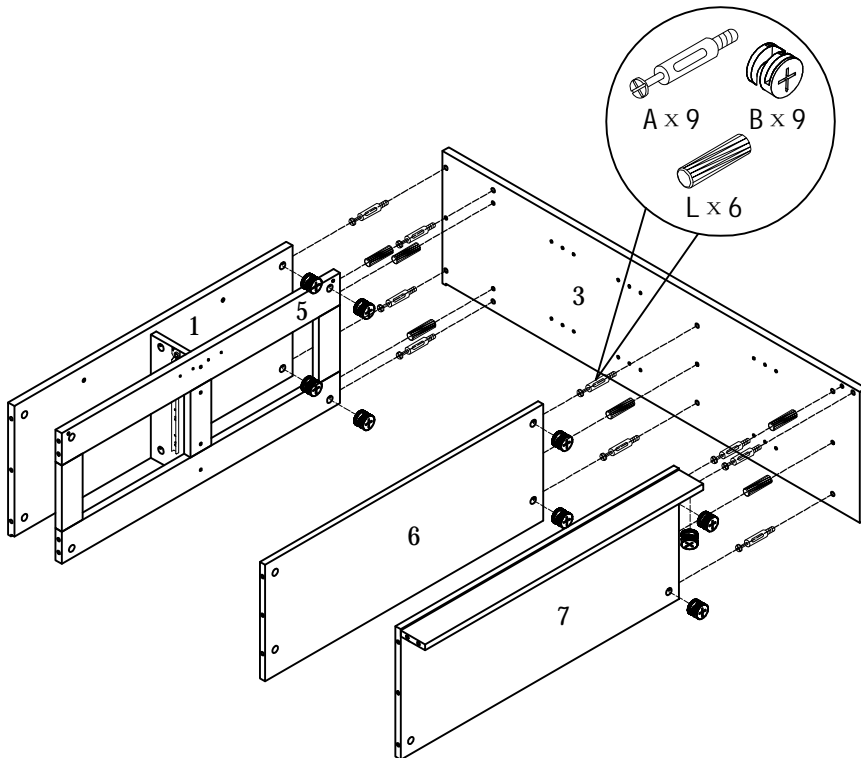
# ASSEMBLY INSTRUCTION

ITEM#:161569-A 192499-A 106138-A 192619



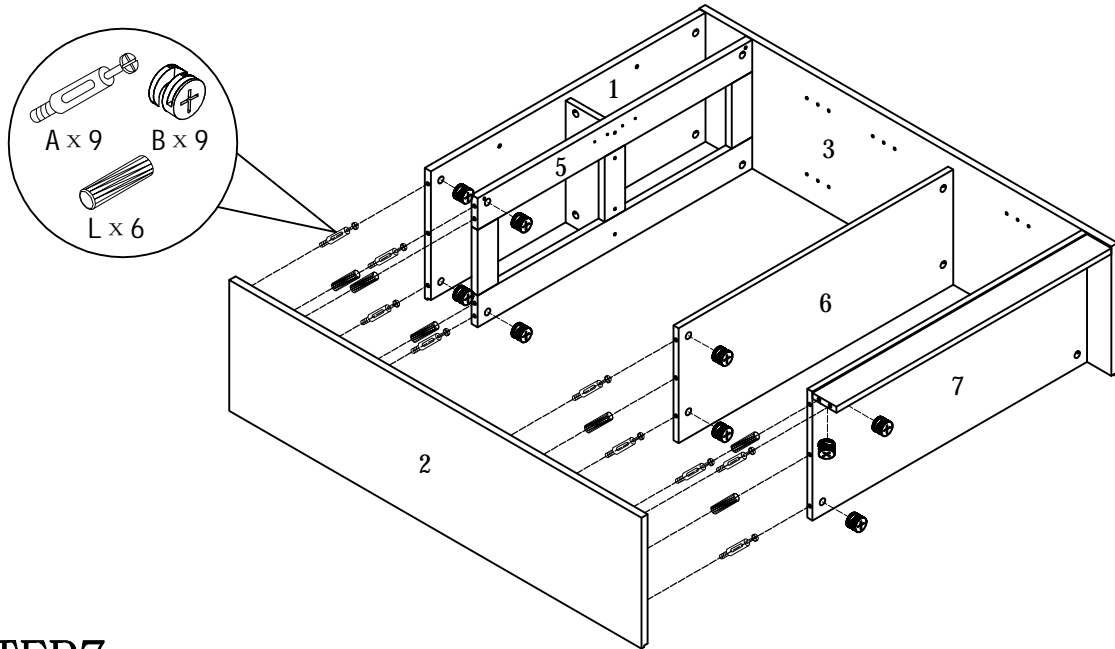
STEP5

STEP6



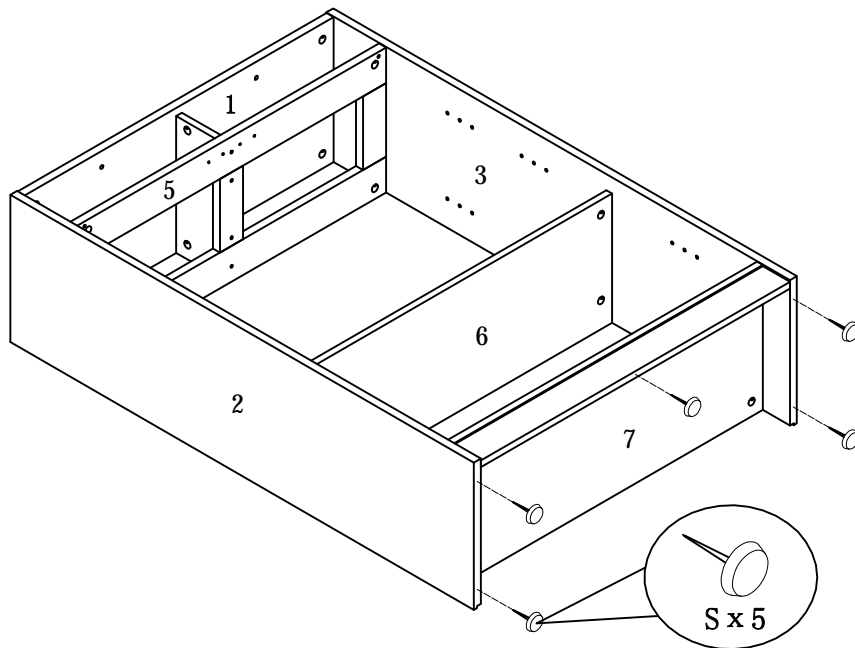
# ASSEMBLY INSTRUCTION

ITEM#:161569-A 192499-A 106138-A 192619



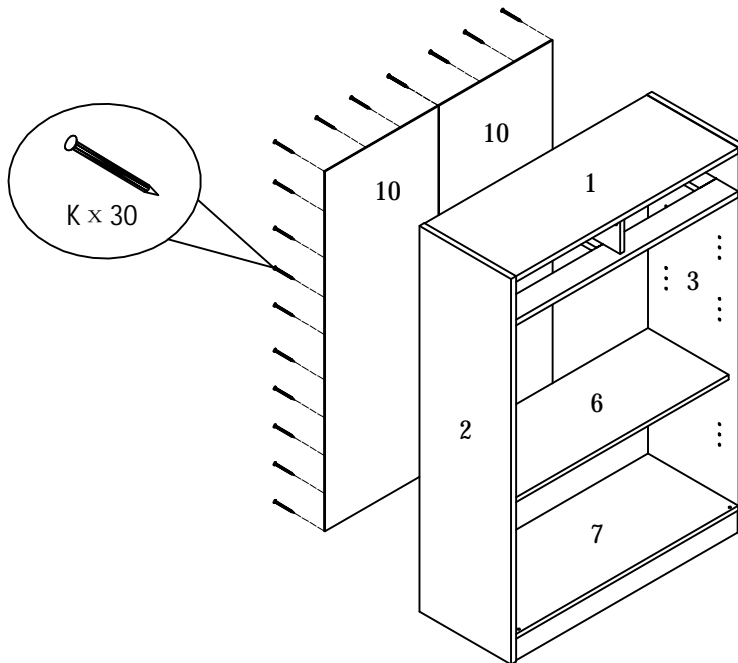
STEP7

STEP8



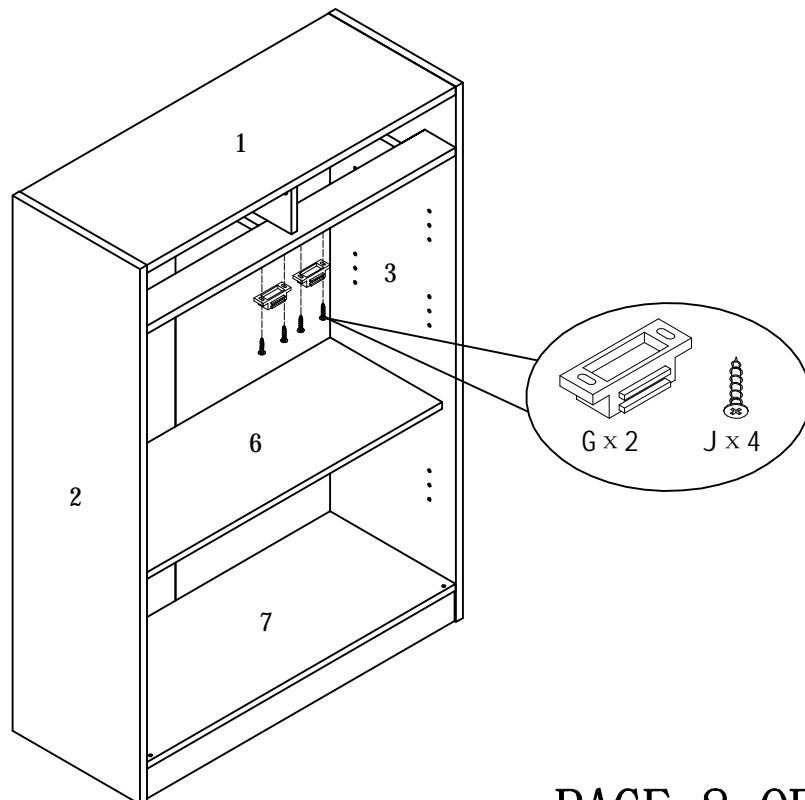
# ASSEMBLY INSTRUCTION

ITEM#: 161569-A 192499-A 106138-A 192619



STEP9

STEP10

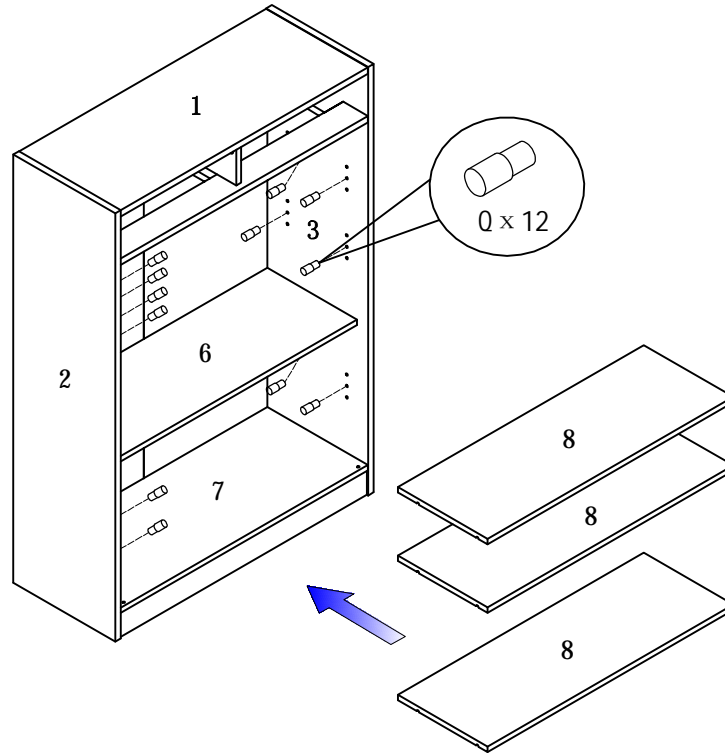


PAGE 8 OF 11



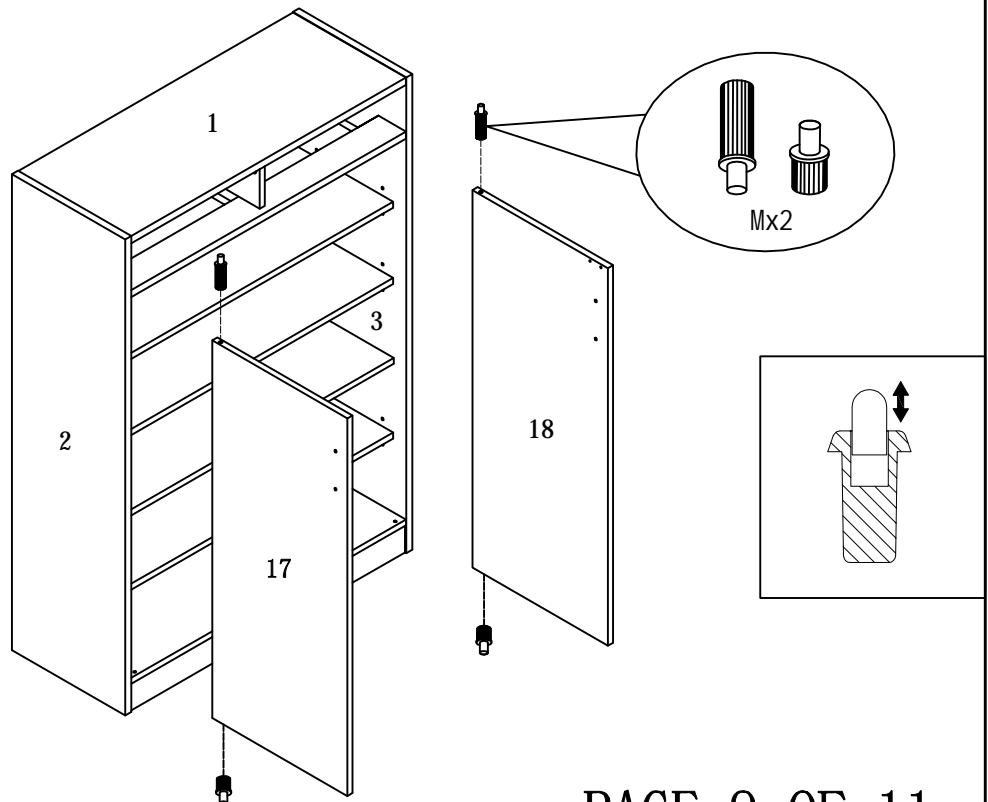
# ASSEMBLY INSTRUCTION

ITEM#:161569-A 192499-A 106138-A 192619



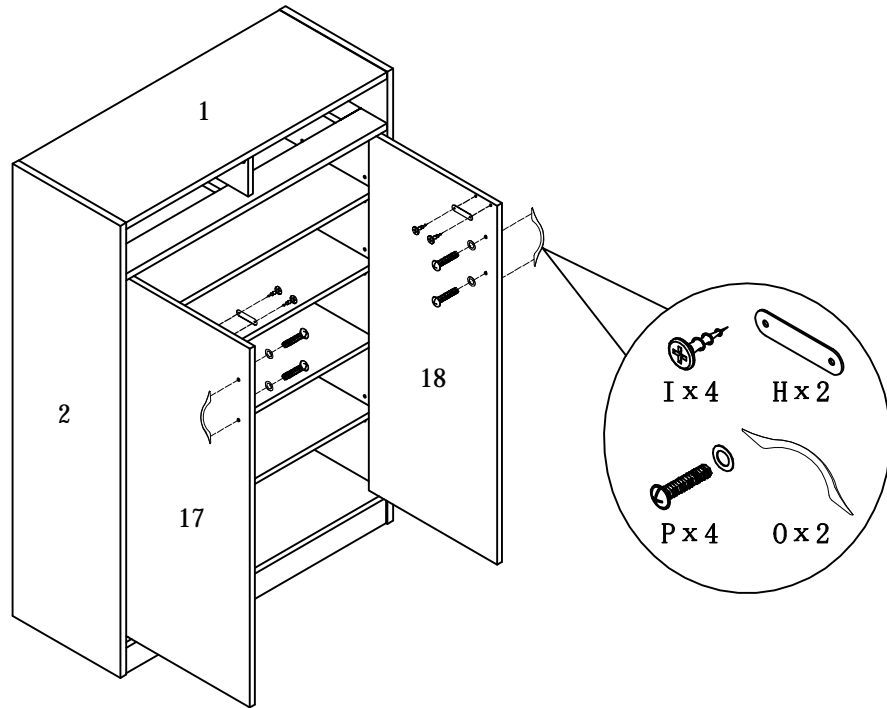
STEP11

STEP12



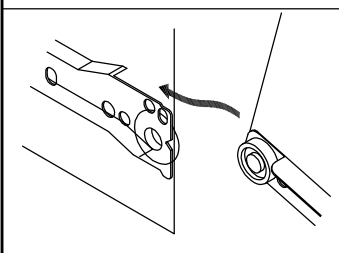
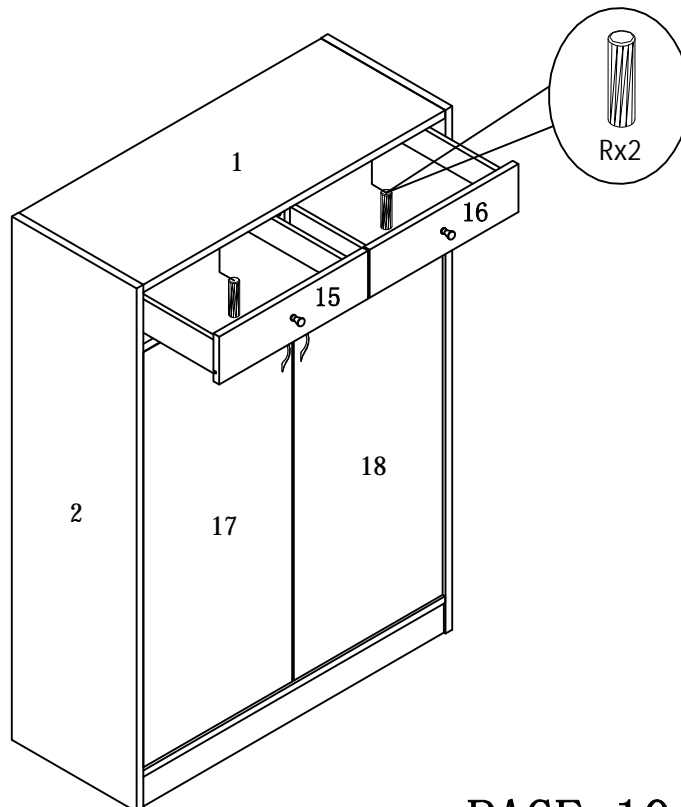
# ASSEMBLY INSTRUCTION

ITEM#:161569-A 192499-A 106138-A 192619



STEP13

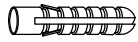
STEP14



# ANTI-TIPPING STRAP INSTRUCTION

## HARDWARE (INCLUDED) :

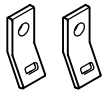
## TOOLS NEEDED ( NOT INCLUDED) :



DRYWALL ANCHOR  $\phi 8 \times 40$  X 1PC



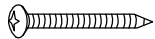
DRILL & DRILL BIT



METAL BRACKETS  $12 \times 12 \times 1$  X 2PCS



LIGHT HAMMER



DRYWALL SCREW  $\phi 5 \times 40$  X 1PC



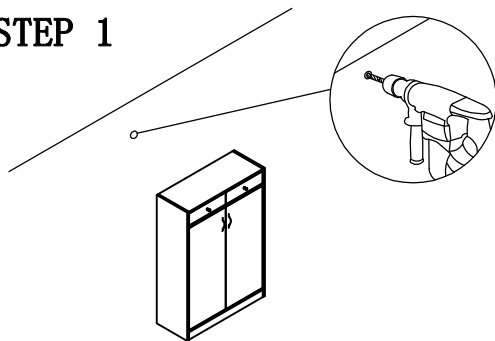
STRAP  $197 \times 5 \times 1$  X 1PC



FLATHEAD SCREW  $\phi 4 \times 25$  X 1PC

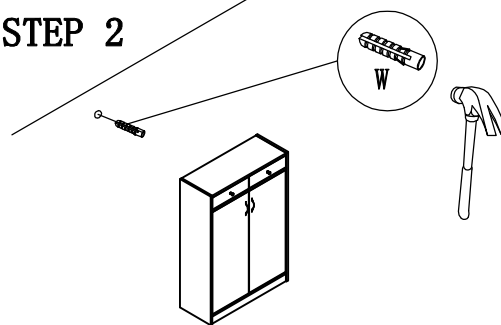
Note: Hardware included only compatible with standard drywalls.

### STEP 1



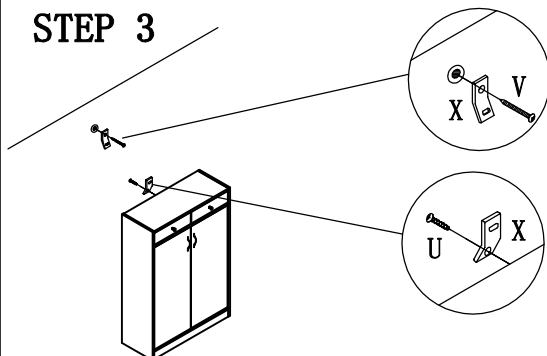
1. Find spot on wall 1" below top of item.
2. Using a drill bit slightly thinner than anchor, drill hole into drywall.

### STEP 2



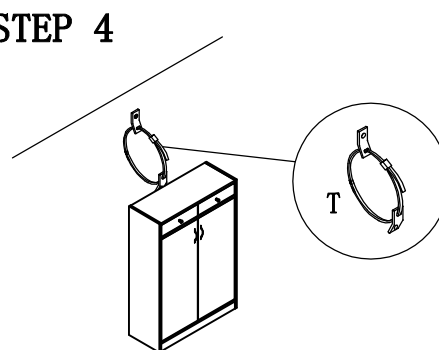
1. Use a light hammer to tap anchor into hole.
2. Anchor should fit snugly. If hole is too small, drill again to increase hole size. Do not force anchor into wall.

### STEP 3



1. Insert drywall screw into metal bracket and into drywall anchor.
2. Insert flathead screw into second metal bracket and into back of item along top edge.

### STEP 4



1. Insert strap thru bracket attached to wall, then thru bracket on item, and into head of strap.
  2. pull lightly til strap stops.
- Assembly is complete.