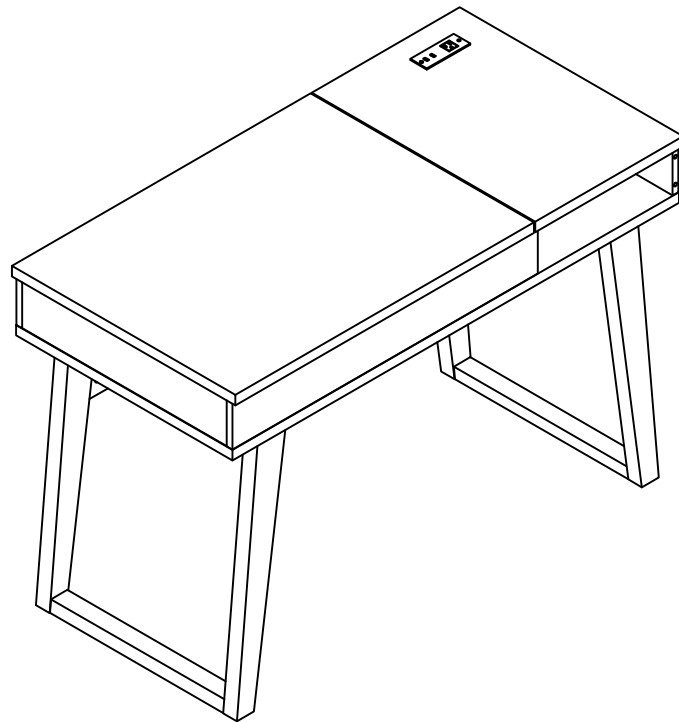


# ASSEMBLY INSTRUCTION

---

ITEM#: 192481 192482



# ASSEMBLY INSTRUCTION

---

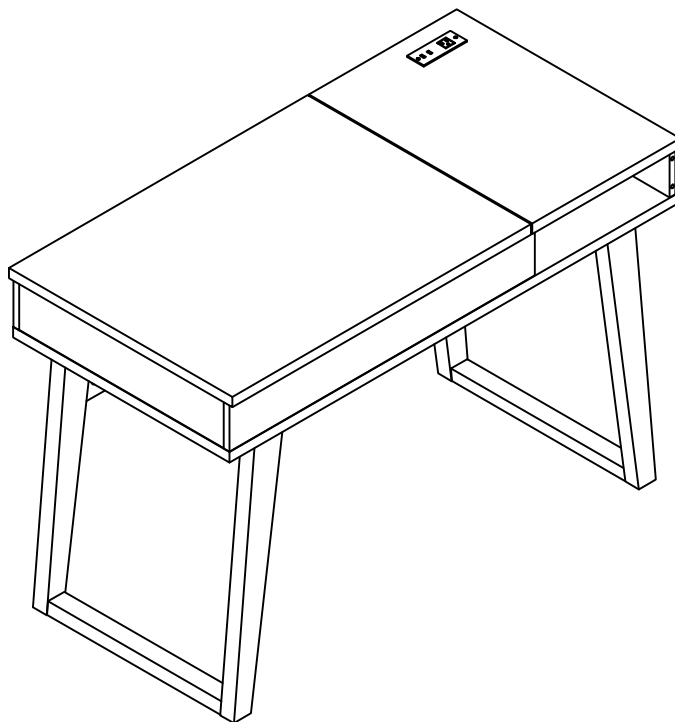
## PLEASE READ BEFORE ASSEMBLING!

Tip #1: Make sure you've taken all the pieces and hardware out of its packaging before discarding the box.

Tip #2: Using page 2 and/or page 3 of instruction manual make sure all pieces and hardware are accounted for.

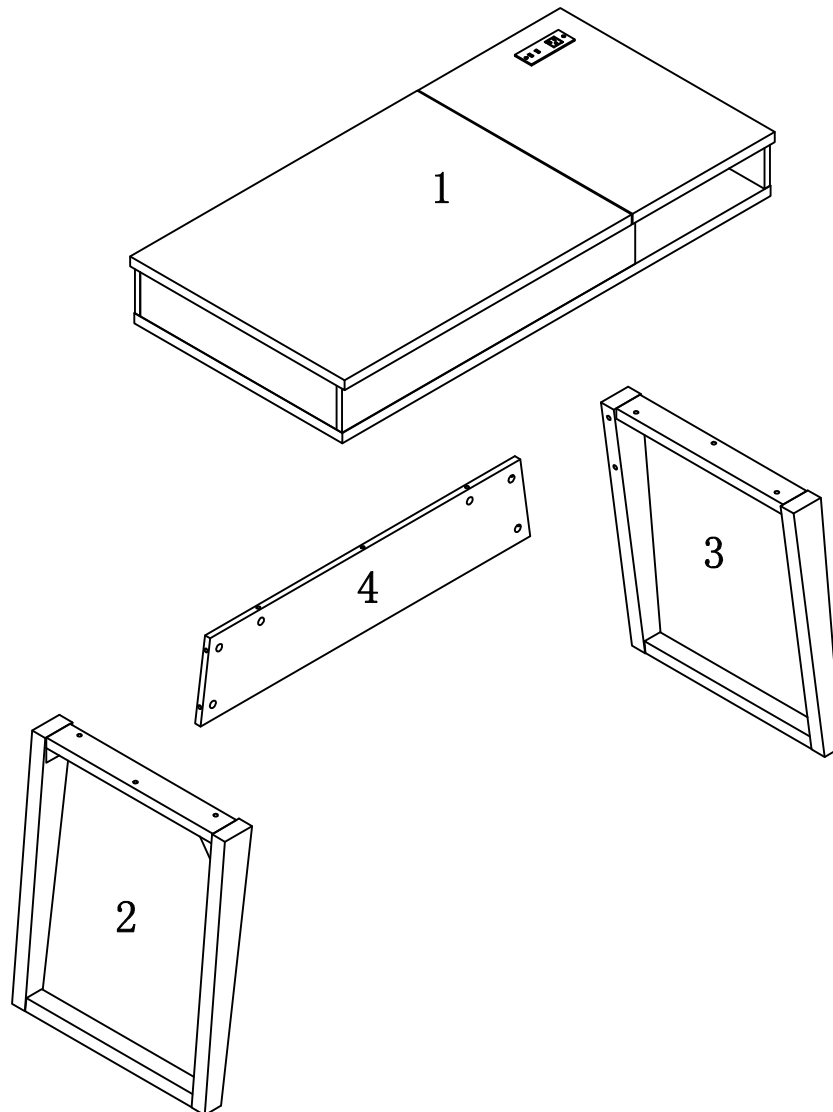
Tip #3: Read manual before assembling, it helps!

ITEM#: 192481 192482



# PARTS IDENTIFICATION




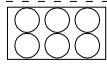





ITEM#: 192481 192482



- |     |     |
|-----|-----|
| (1) | 1pc |
| (2) | 1pc |
| (3) | 1pc |
| (4) | 1pc |

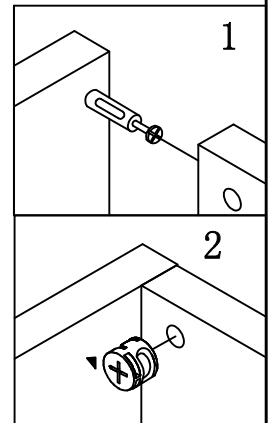
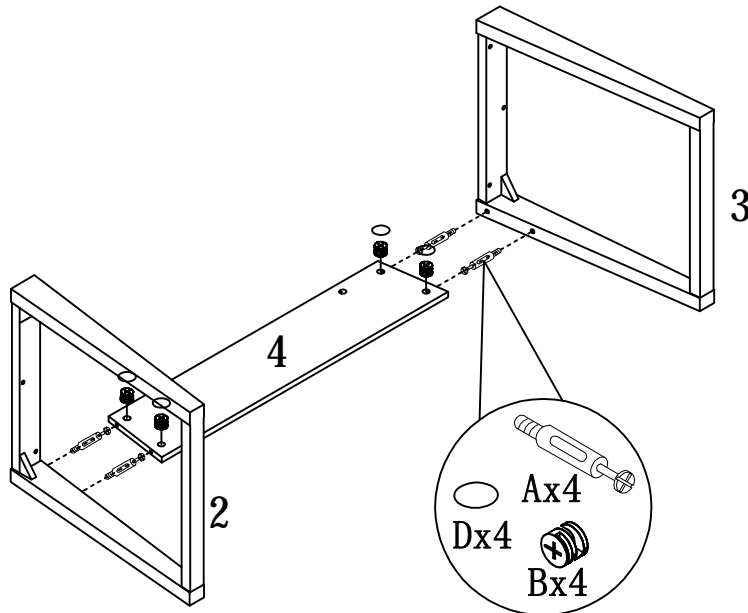
# HARDWARE IDENTIFICATION

ITEM#: 192481 192482

A		L29	6pcs
B		Ø15	6pcs
C		Ø8x25	1pcs
D		Ø22	6pcs
E		Ø16	4pcs
F		M8x40	6pcs
G		Ø8xØ16x2	6pcs
H			1pc
I		Glue: For securing please apply to wood dowel first before inserting into panel	1pc

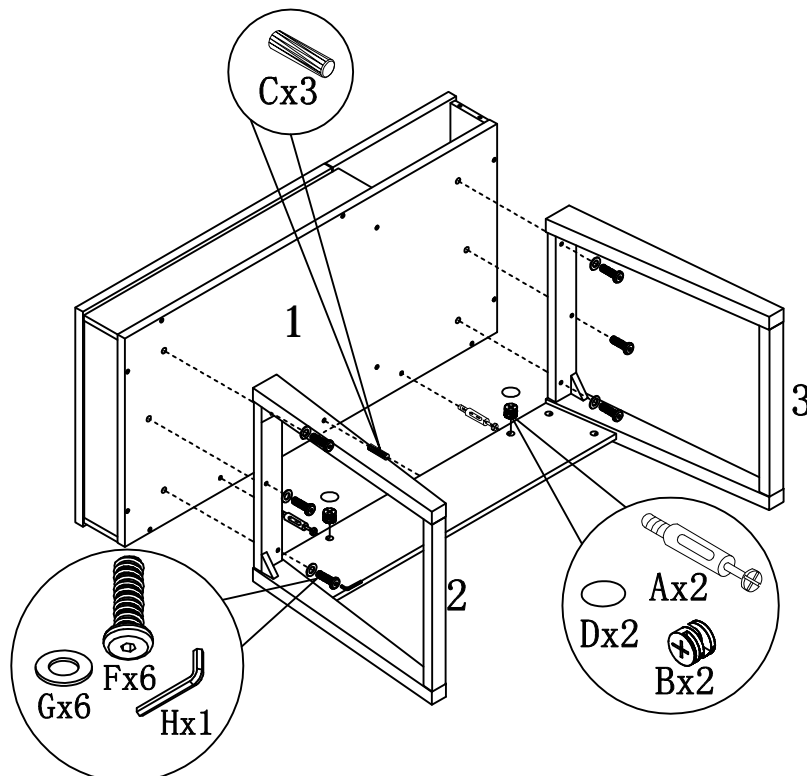
# ASSEMBLY INSTRUCTION

ITEM#: 192481 192482



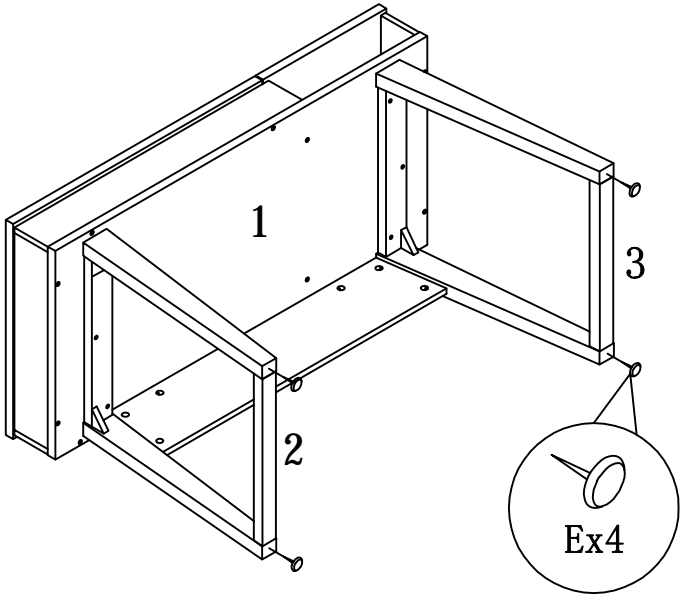
STEP 1

STEP 2



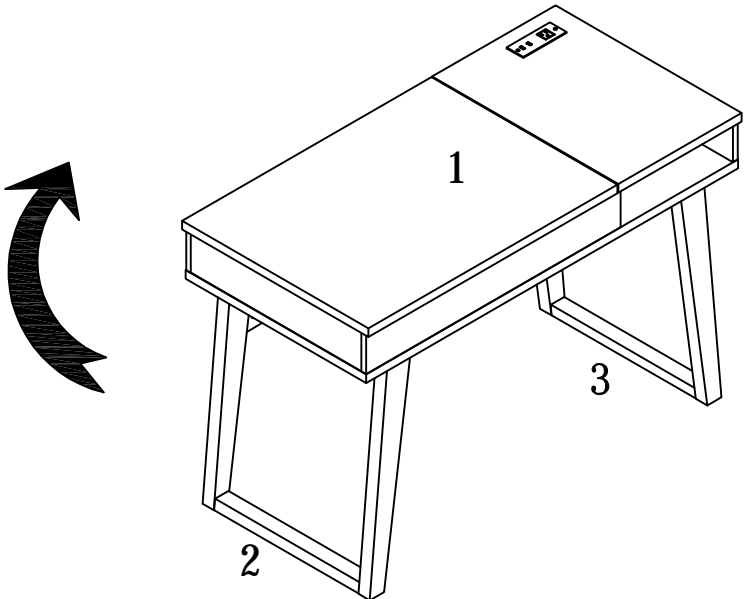
# ASSEMBLY INSTRUCTION

ITEM#: 192481 192482



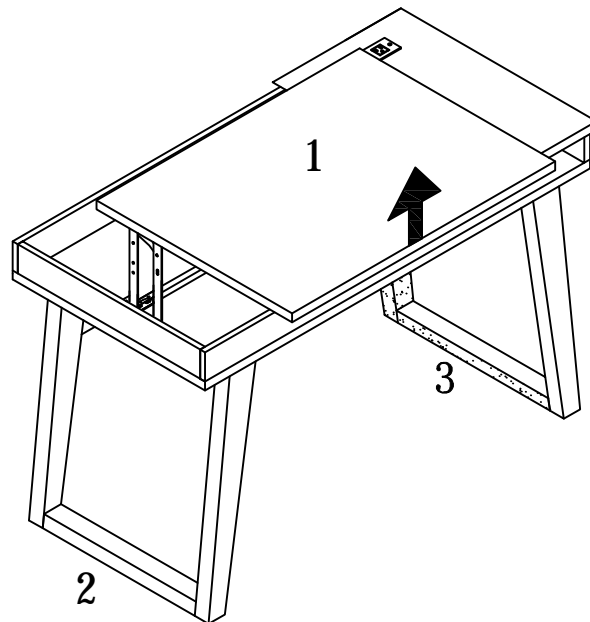
STEP3

STEP4



# ASSEMBLY INSTRUCTION

ITEM#: 192481 192482



STEP5

STEP6

