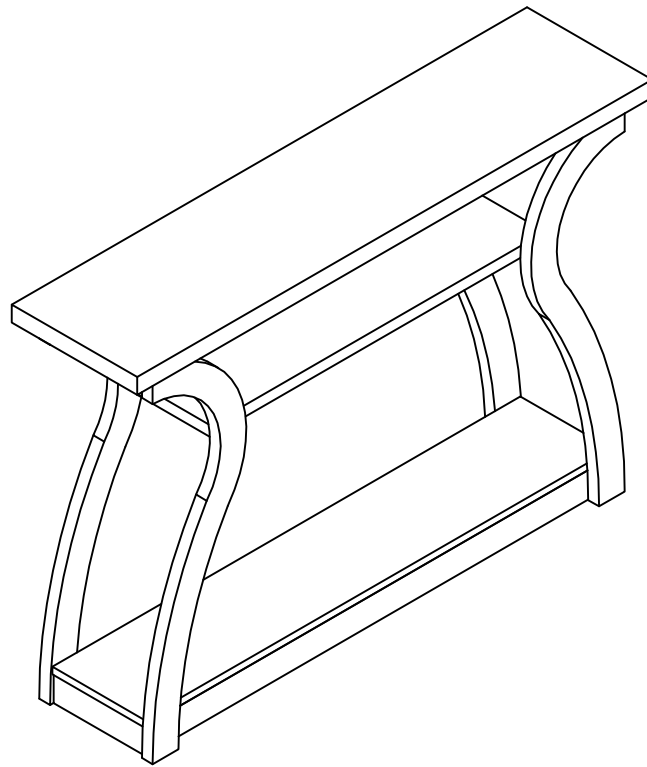


ASSEMBLY INSTRUCTION

ITEM#: 192444



ASSEMBLY INSTRUCTION

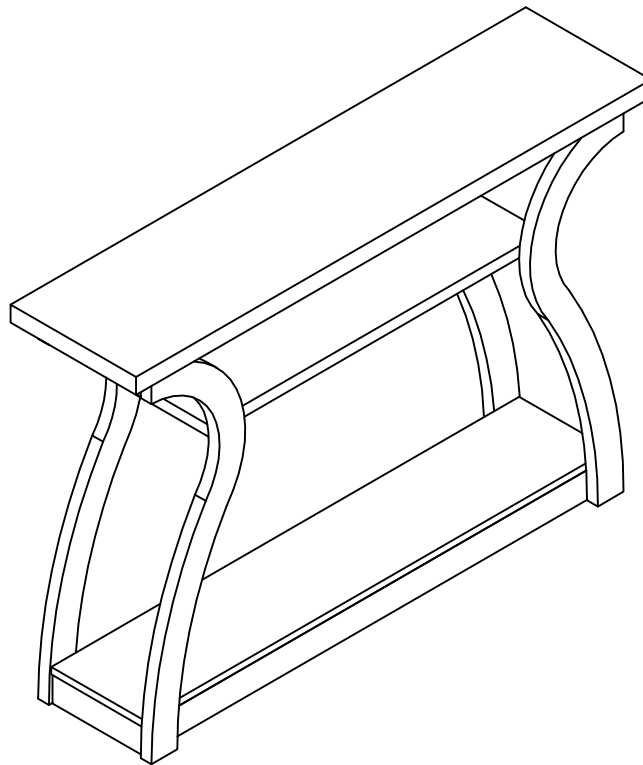
PLEASE READ BEFORE ASSEMBLING!

Tip #1: Make sure you've taken all the pieces and hardware out of its packaging before discarding the box. Assembly on top of flattened box/blanket is recommended.

Tip #2: Using page 2 and/or page 3 of instruction manual make sure all pieces and hardware are accounted for.

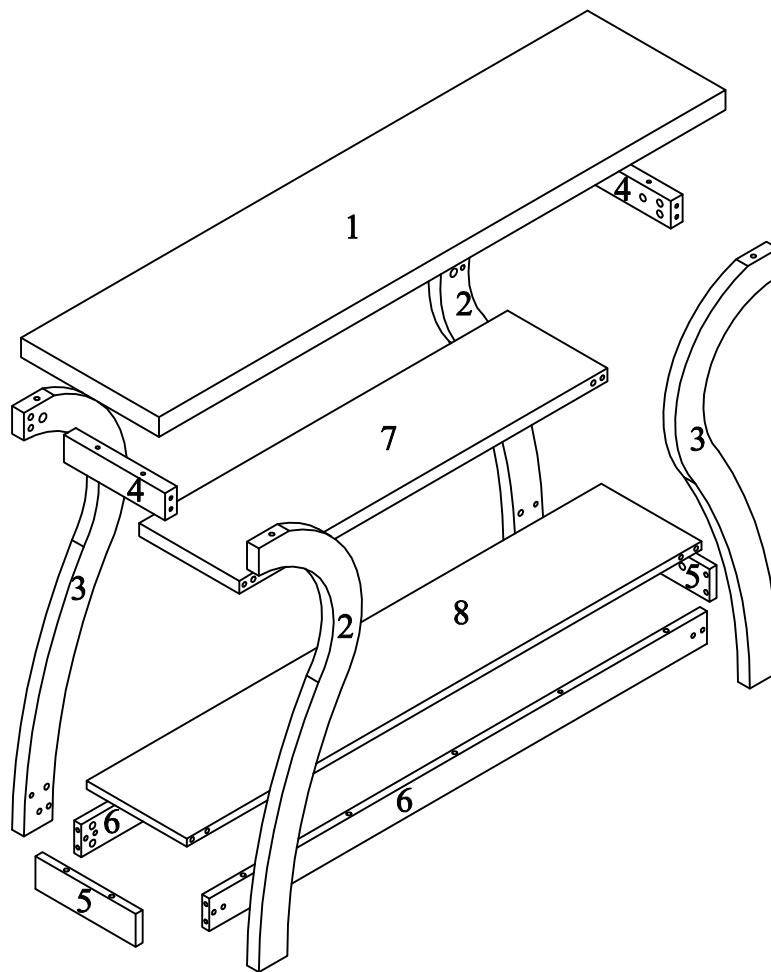
Tip #3: Note position of all holes on each panel during assembly.

ITEM#: 192444



PARTS IDENTIFICATION




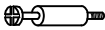






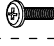

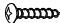


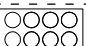
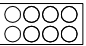


ITEM#: 192444



| | | | |
|-----|------|-----|------|
| (1) | 1pc | (5) | 2pcs |
| (2) | 2pcs | (6) | 2pcs |
| (3) | 2pcs | (7) | 1pc |
| (4) | 2pcs | (8) | 1pc |

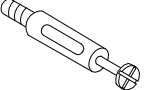

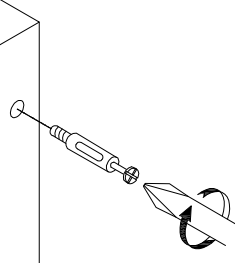
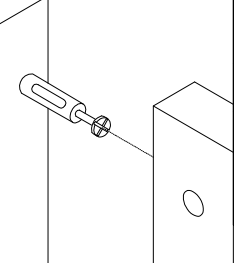
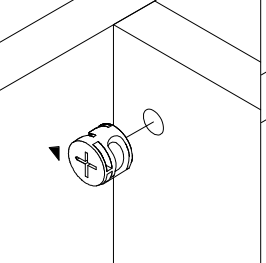
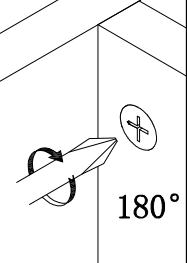
HARDWARE IDENTIFICATION

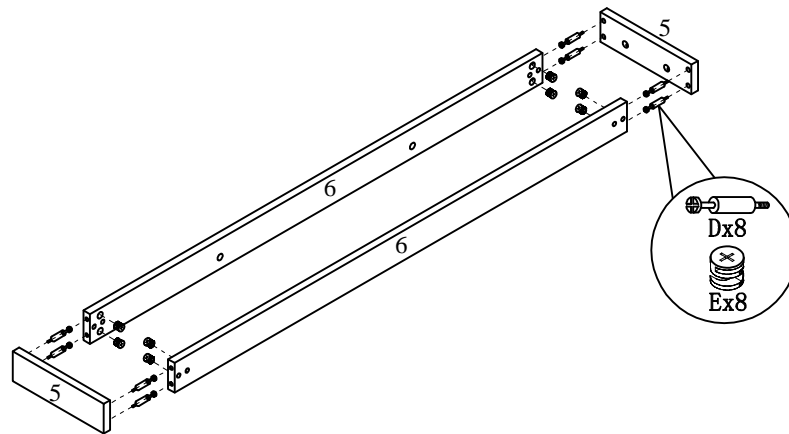
ITEM#: 192444

| | | | |
|---|---|--|-------|
| A |  | L29 | 20PCS |
| B |  | Ø15 | 20PCS |
| C |  | Ø8×25mm | 14PCS |
| D |  | L24 | 16PCS |
| E |  | Ø12 | 16PCS |
| F |  | M8×70mm | 4PCS |
| G |  | | 4PCS |
| H |  | M8 | 4PCS |
| I |  | M13 | 1PC |
| J |  | Ø16mm | 6PCS |
| K |  | M6×25mm | 8PCS |
| L |  | 197×5×1 | 1PC |
| M |  | Ø4×25 | 1PC |
| N |  | Ø5×40 | 1PC |
| O |  | Ø8×40 | 1PC |
| P |  | Ø45mm | 4PCS |
| Q |  | Ø22mm | 16PCS |
| R |  | 12×12×1 | 2PCS |
| S |  | Glue: For securing please apply to wood dowel first before inserting into panel | 1PC |

ASSEMBLY INSTRUCTION

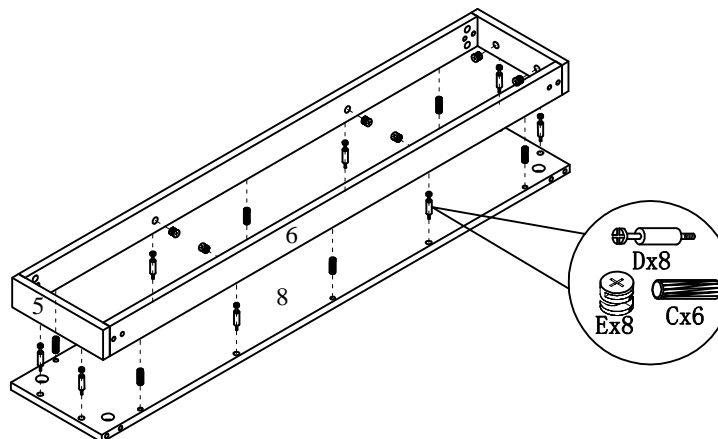
ITEM#: 192444

| HOW TO | 1 | 2 | 3 | 4 |
|---|---|---|--|---|
|  <p>Cam Bolt</p>  <p>Cam Lock</p> |  |  |  |  <p>180°</p> |
| | <p>1.Screw Cam Bolt into panel.</p> | <p>2.Insert Cam Bolt into bolt hole of joining panel.</p> | <p>3.Insert Cam Lock. arrow facing bolt.</p> | <p>4.Gently turn Cam Lock clockwise to lock position.</p> |



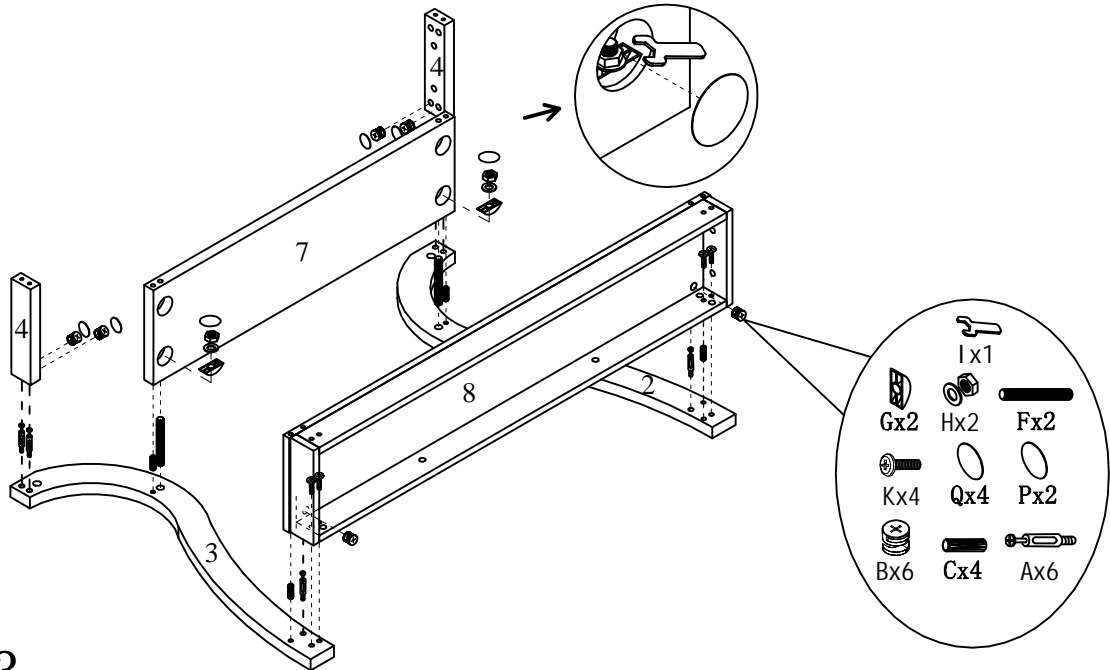
STEP1

STEP2

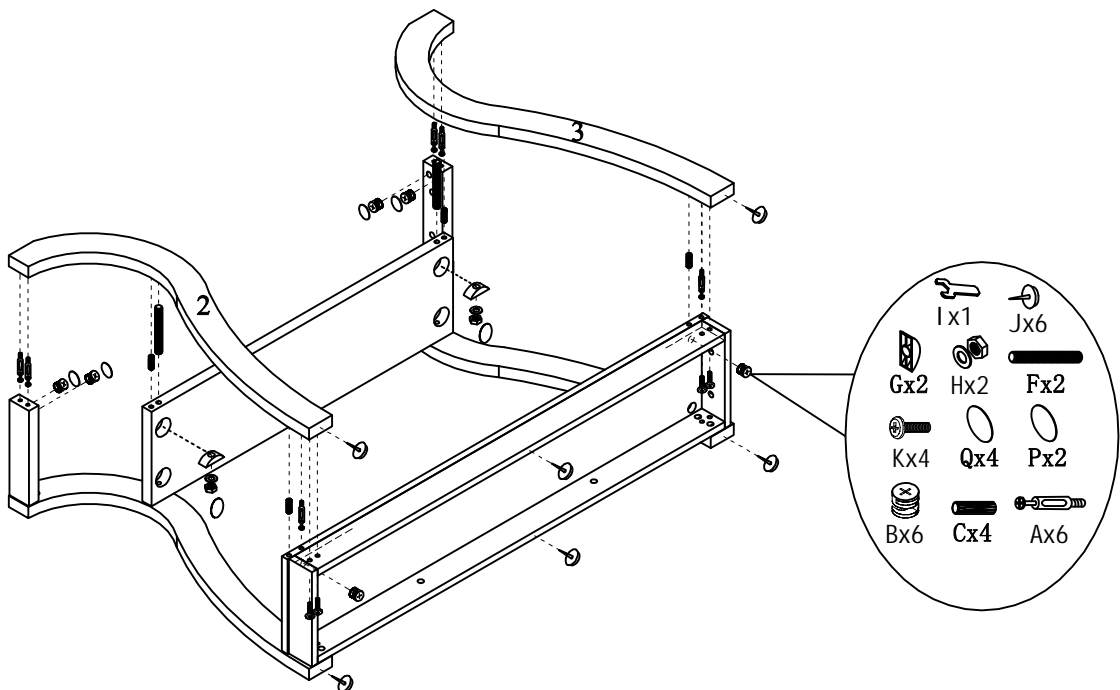


ASSEMBLY INSTRUCTION

ITEM#: 192444

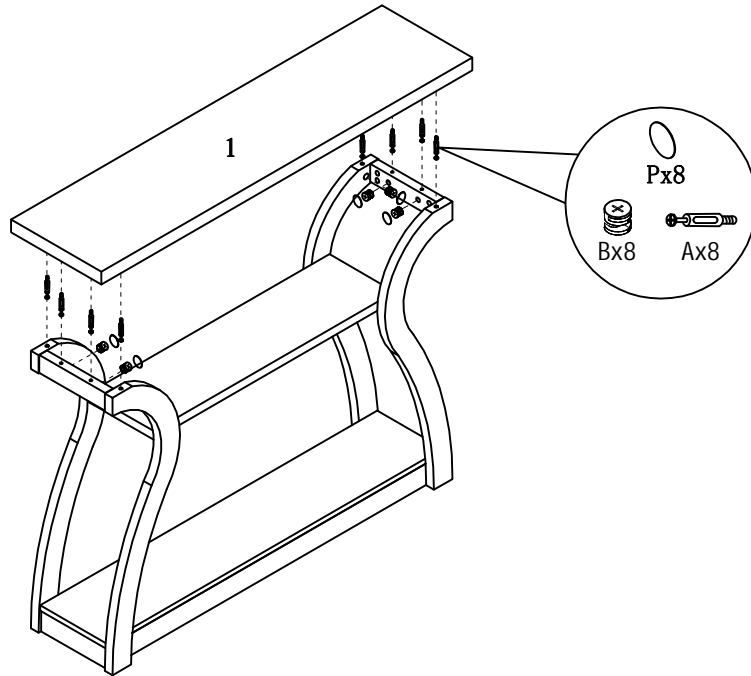


STEP 4



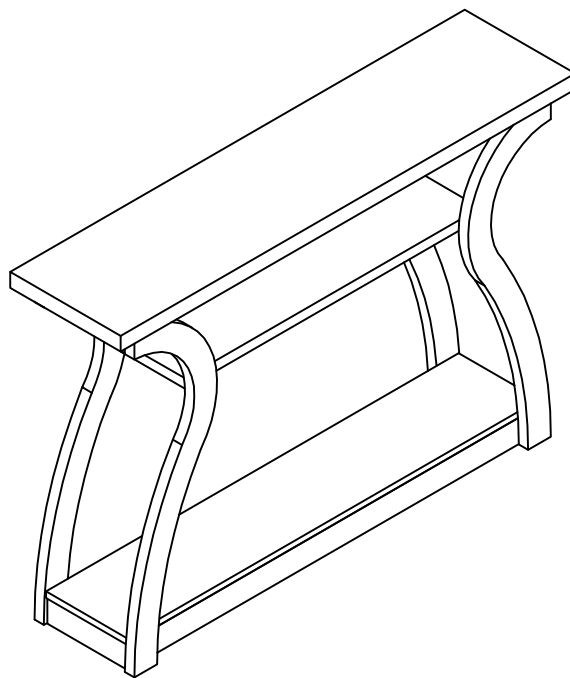
ASSEMBLY INSTRUCTION

ITEM#: 192444



STEP5

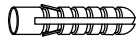
STEP6



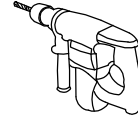
ANTI-TIPPING STRAP INSTRUCTION

HARDWARE (INCLUDED) :

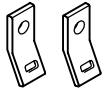
TOOLS NEEDED (NOT INCLUDED) :



DRYWALL ANCHOR $\phi 8 \times 40$ X 1PC



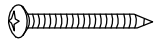
DRILL & DRILL BIT



METAL BRACKETS $12 \times 12 \times 1$ X 2PCS



LIGHT HAMMER



DRYWALL SCREW $\phi 5 \times 40$ X 1PC



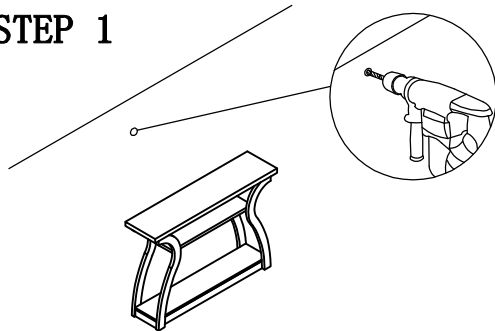
STRAP $197 \times 5 \times 1$ X 1PC



FLATHEAD SCREW $\phi 4 \times 25$ X 1PC

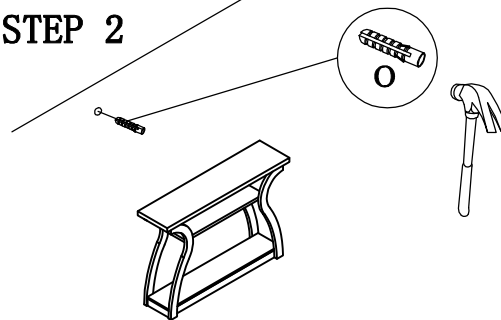
Note: Hardware included only compatible with standard drywalls.

STEP 1



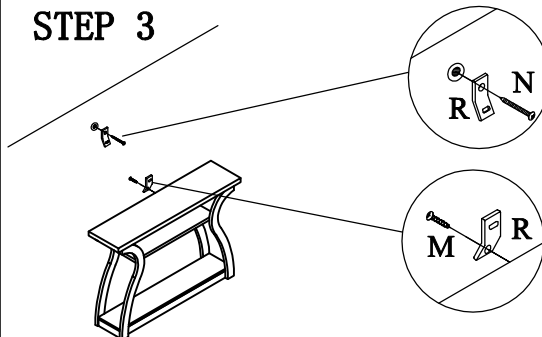
1. Find spot on wall 1" below top of item.
2. Using a drill bit slightly thinner than anchor, drill hole into drywall.

STEP 2



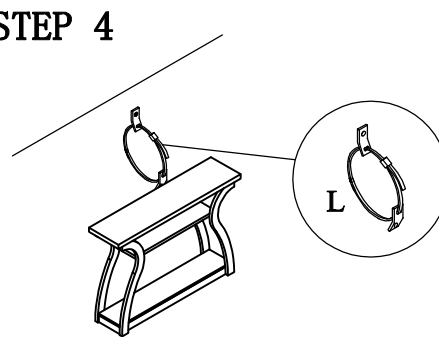
1. Use a light hammer to tap anchor into hole.
2. Anchor should fit snugly. If hole is too small, drill again to increase hole size. Do not force anchor into wall.

STEP 3



1. Insert drywall screw into metal bracket and into drywall anchor.
2. Insert flathead screw into second metal bracket and into back of item along top edge.

STEP 4



1. Insert strap thru bracket attached to wall, then thru bracket on item, and into head of strap.
2. Pull lightly til strap stops. Assembly is complete.