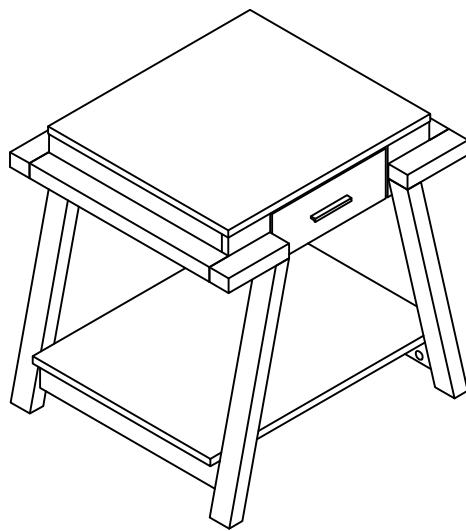


# ASSEMBLY INSTRUCTION

---

ITEM#: 192407ET 182339ET



# ASSEMBLY INSTRUCTION

---

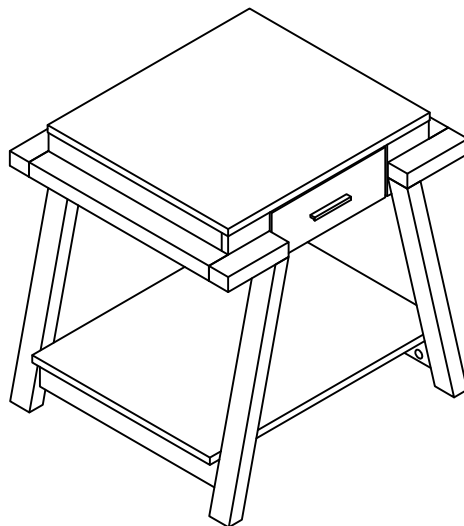
## PLEASE READ BEFORE ASSEMBLING!

Tip #1: Make sure you've taken all the pieces and hardware out of its packaging before discarding the box. Assembly on top of flattened box/blanket is recommended.

Tip #2: Using page 2 and/or page 3 of instruction manual make sure all pieces and hardware are accounted for.

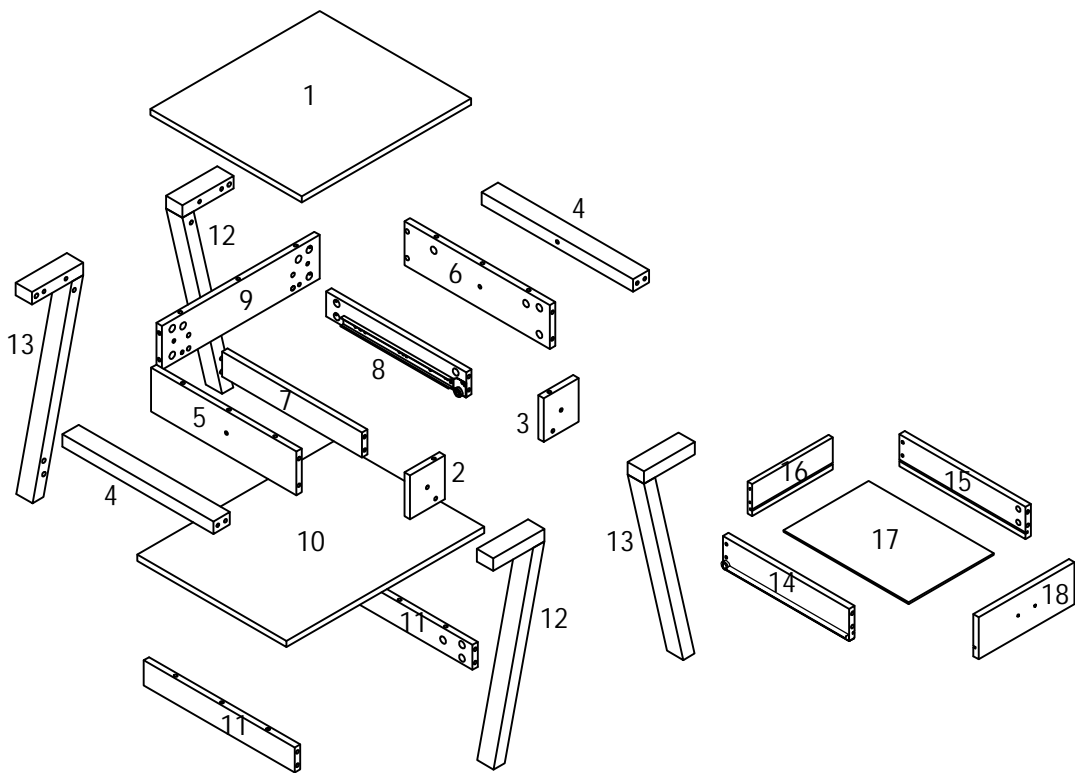
Tip #3: Note position of all holes on each panel during assembly.

ITEM#: 192407ET 182339ET



# PARTS IDENTIFICATION

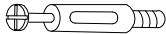

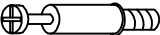










ITEM#: 192407ET 182339ET



(1)	1pc	(8)	1pc	(15)	1pc
(2)	1pc	(9)	1pc	(16)	1pc
(3)	1pc	(10)	1pc	(17)	1pc
(4)	2pcs	(11)	2pcs	(18)	1pc
(5)	1pc	(12)	2pcs		
(6)	1pc	(13)	2pcs		
(7)	1pc	(14)	1pc		

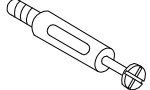

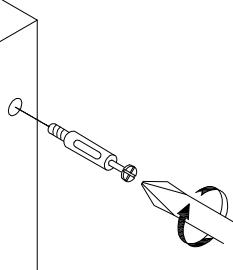
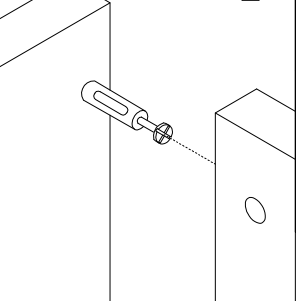
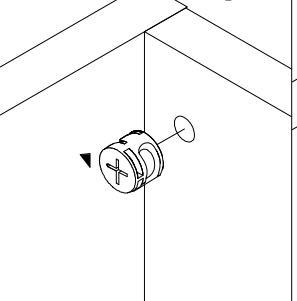
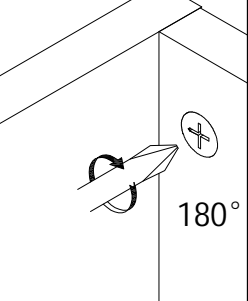
# HARDWARE IDENTIFICATION

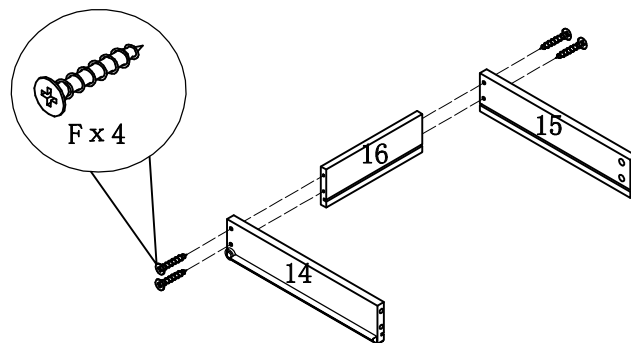
ITEM#: 192407ET 182339ET

A		L29	40pcs
B		Ø15	40pcs
C		L20	4pcs
D		Ø12	4pcs
E		Ø8x25	9pcs
F		Ø4x30	4pcs
G		M6x25	10pcs
H		64孔 (银色)	1pc
I		M4 x 22	2pcs
J		Ø22 (BLK3)	4pcs
K		Ø22 (BWN)	12pcs
L		Ø16	4pcs
M		Glue: For securing please apply to wood dowel first before inserting into panel	1pc

# ASSEMBLY INSTRUCTION

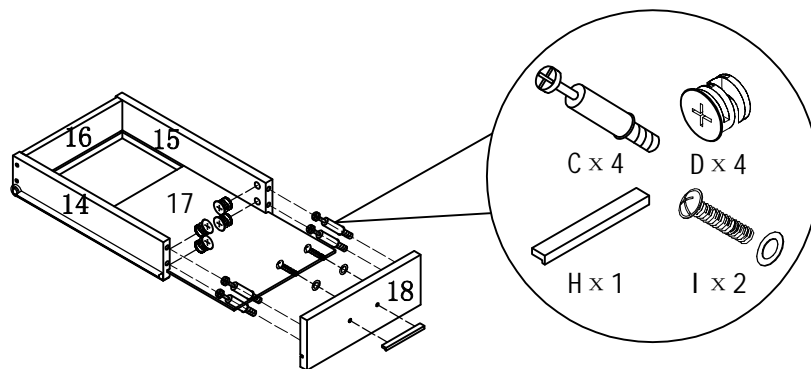
ITEM#: 192407ET 182339ET

HOW TO	1	2	3	4
 Cam Bolt   Cam Lock				 180°
	1. Screw Cam Bolt into panel.	2. Insert Cam Bolt into bolt hole of joining panel.	3. Insert Cam Lock. arrow facing bolt.	4. Gently turn Cam Lock clockwise to lock position.



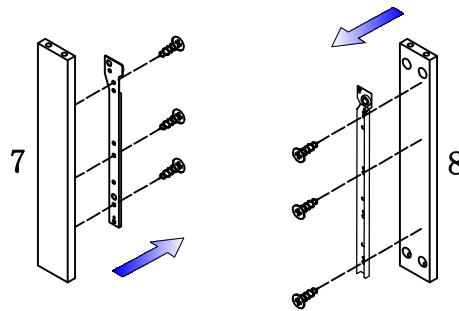
## STEP1

## STEP2



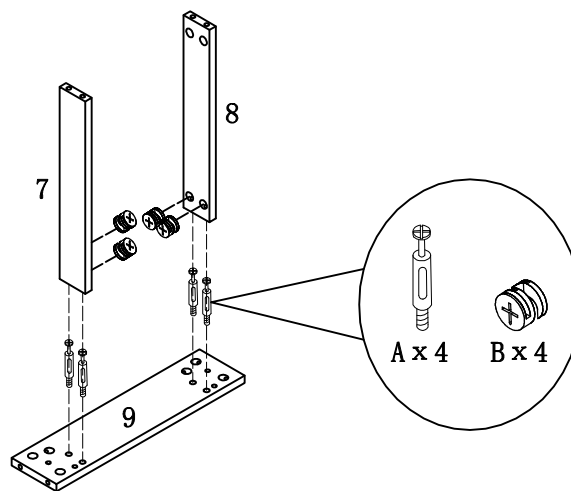
# ASSEMBLY INSTRUCTION

ITEM#: 192407ET 182339ET



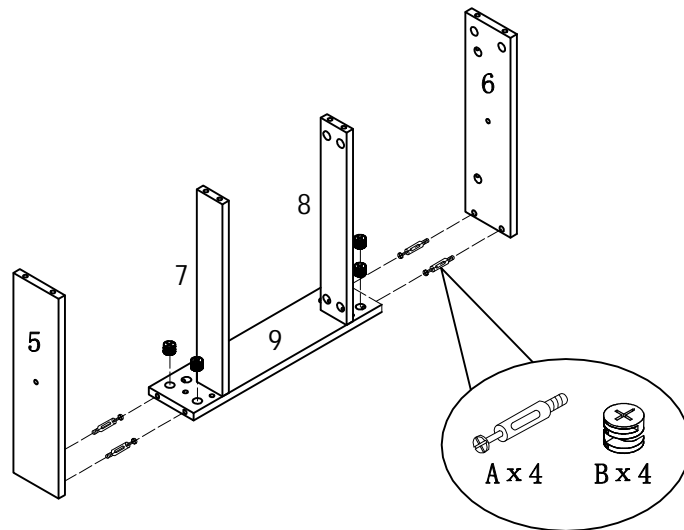
STEP3

STEP4



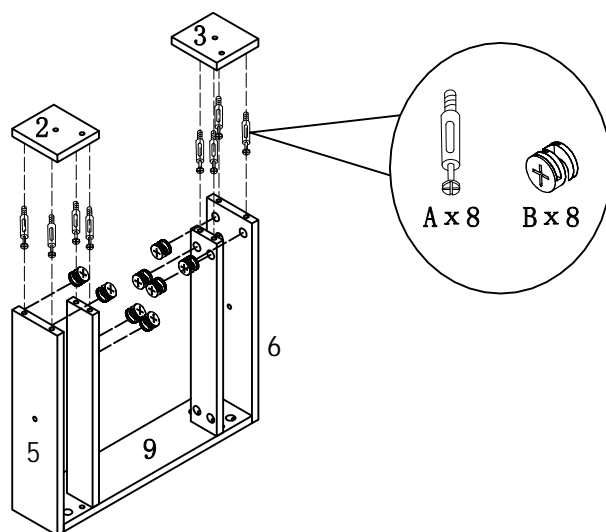
# ASSEMBLY INSTRUCTION

ITEM#: 192407ET 182339ET



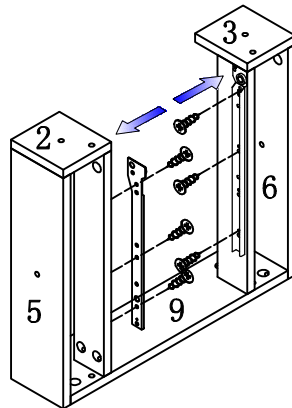
STEP5

STEP6



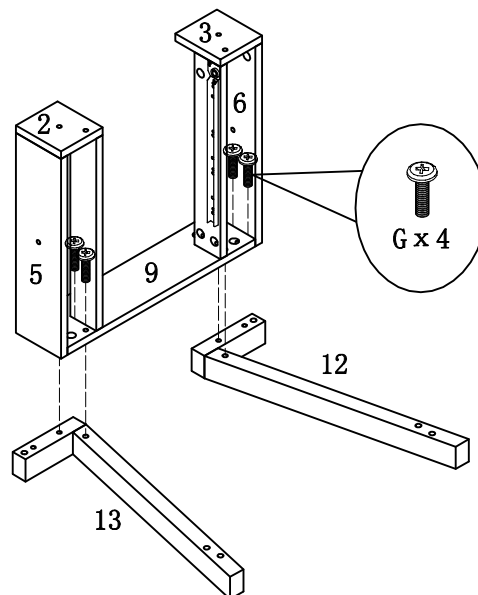
# ASSEMBLY INSTRUCTION

ITEM#: 192407ET 182339ET



STEP7

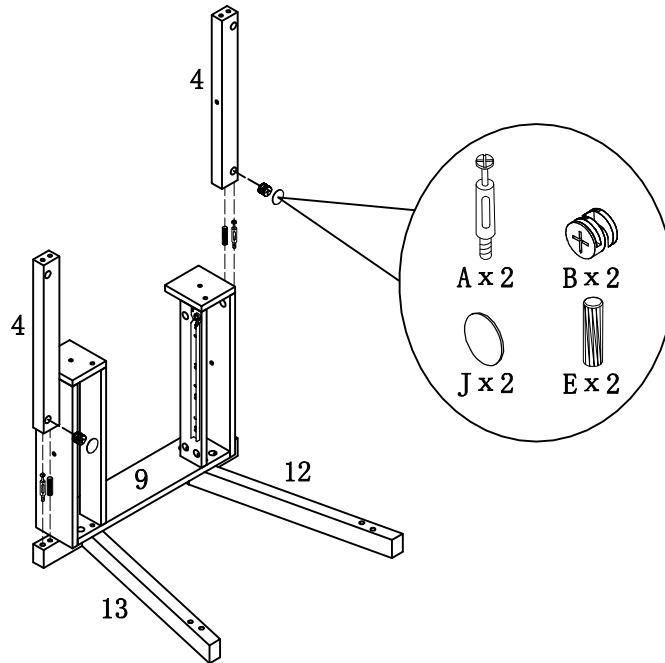
STEP8





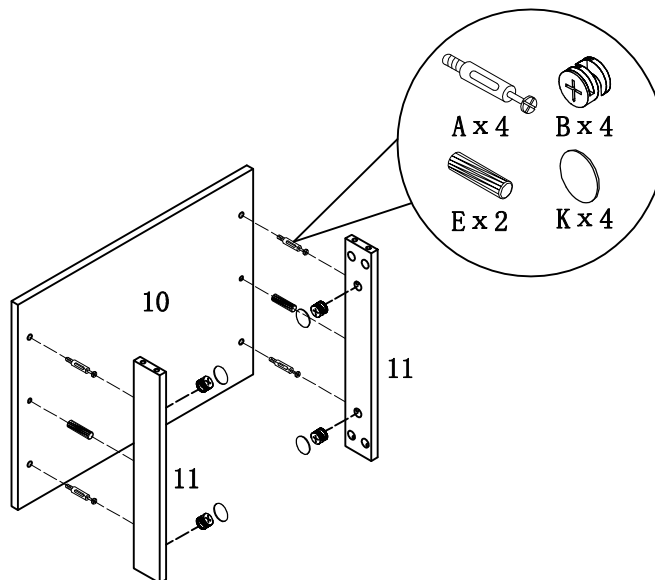
# ASSEMBLY INSTRUCTION

ITEM#: 192407ET 182339ET



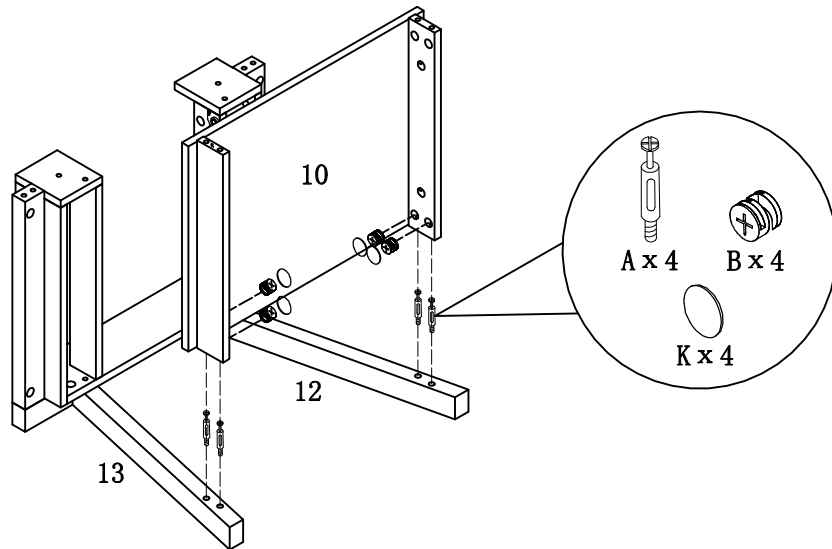
STEP9

STEP10



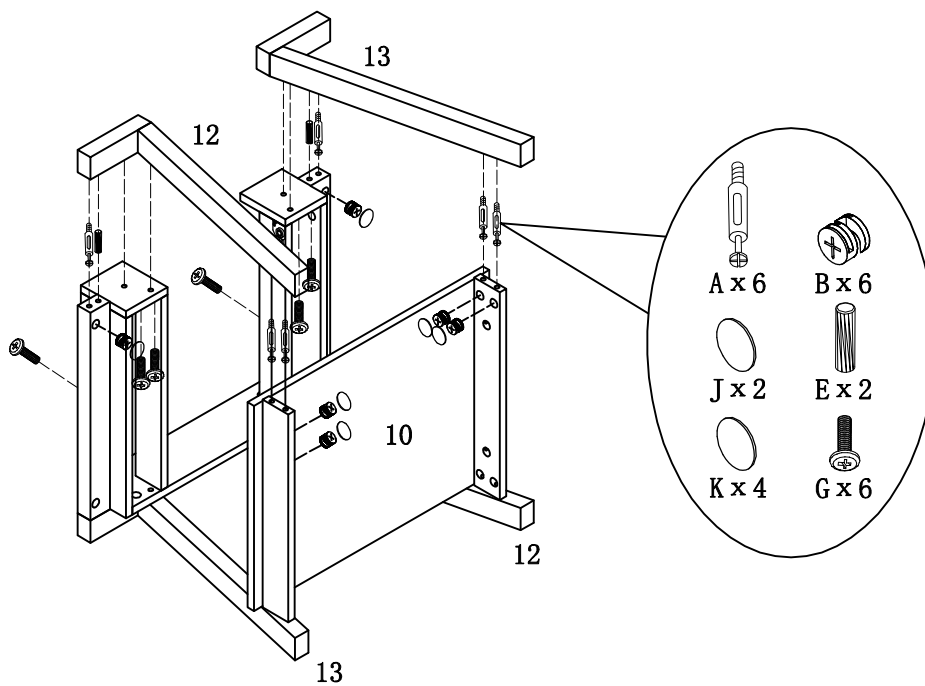
# ASSEMBLY INSTRUCTION

ITEM#: 192407ET 182339ET



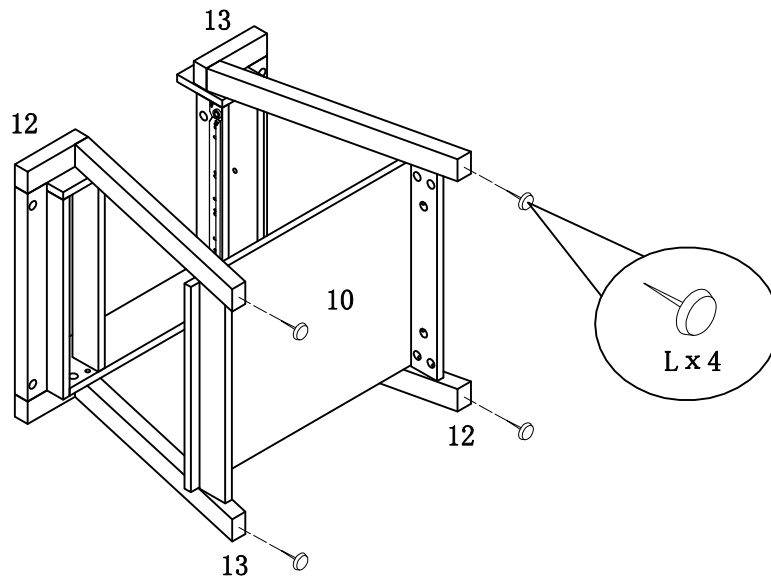
STEP11

STEP12



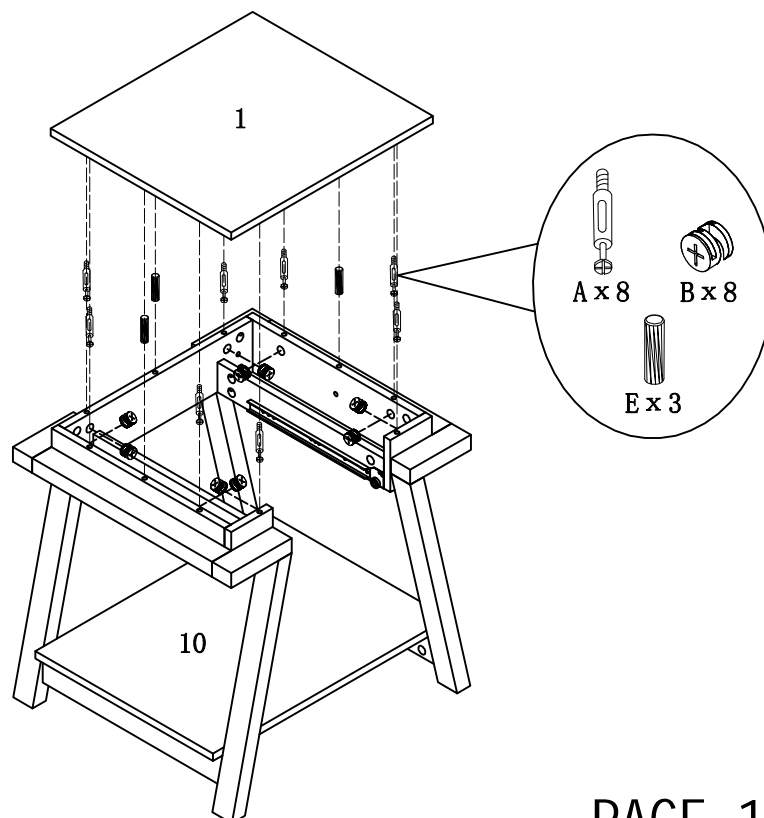
# ASSEMBLY INSTRUCTION

ITEM#: 192407ET 182339ET



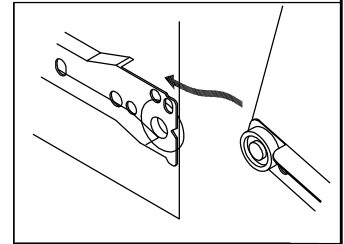
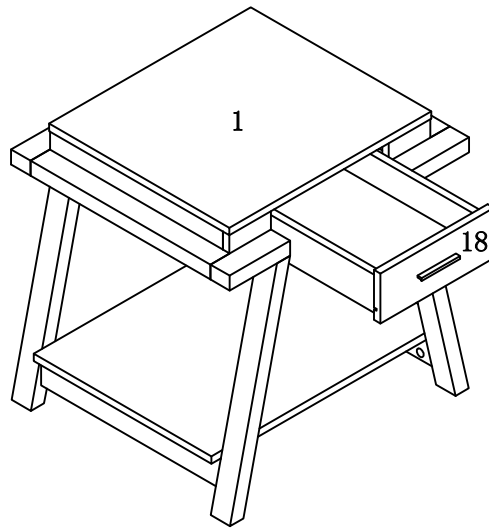
STEP13

STEP14



# ASSEMBLY INSTRUCTION

ITEM#: 192407ET 182339ET



STEP15

STEP16

