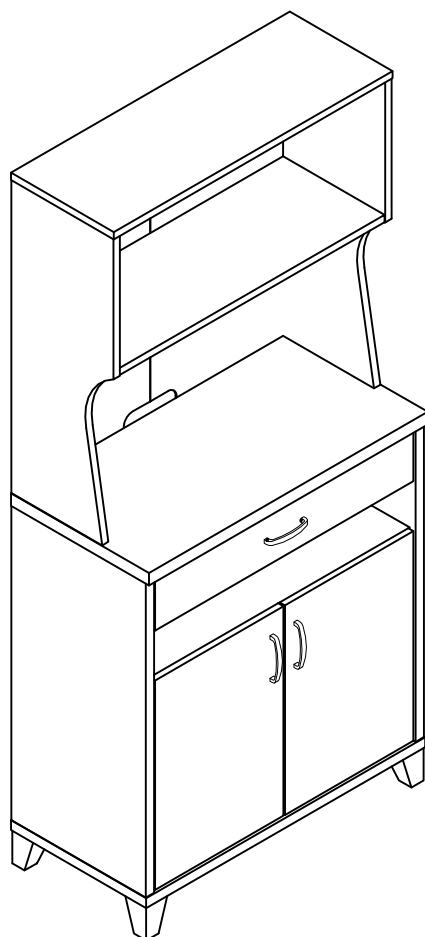


# ASSEMBLY INSTRUCTION

---

ITEM#: 182334



# ASSEMBLY INSTRUCTION

---

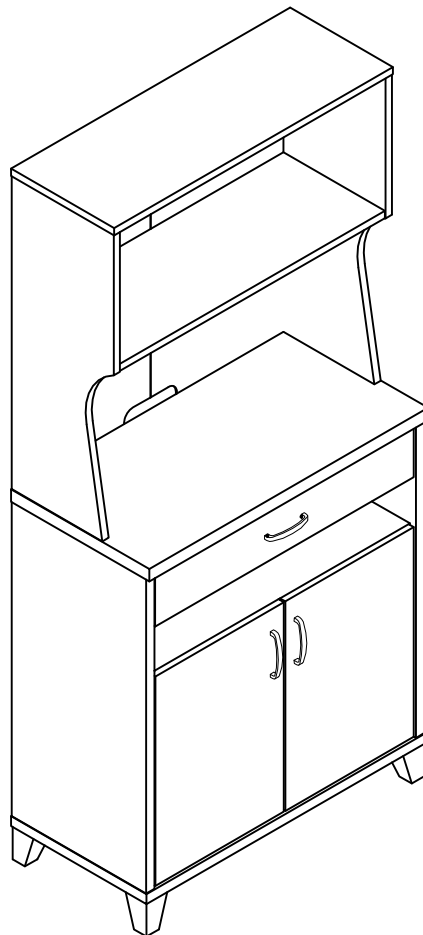
## PLEASE READ BEFORE ASSEMBLING!

Tip #1: Make sure you've taken all the pieces and hardware out of its packaging before discarding the box.

Tip #2: Using page 2 and/or page 3 of instruction manual make sure all pieces and hardware are accounted for.

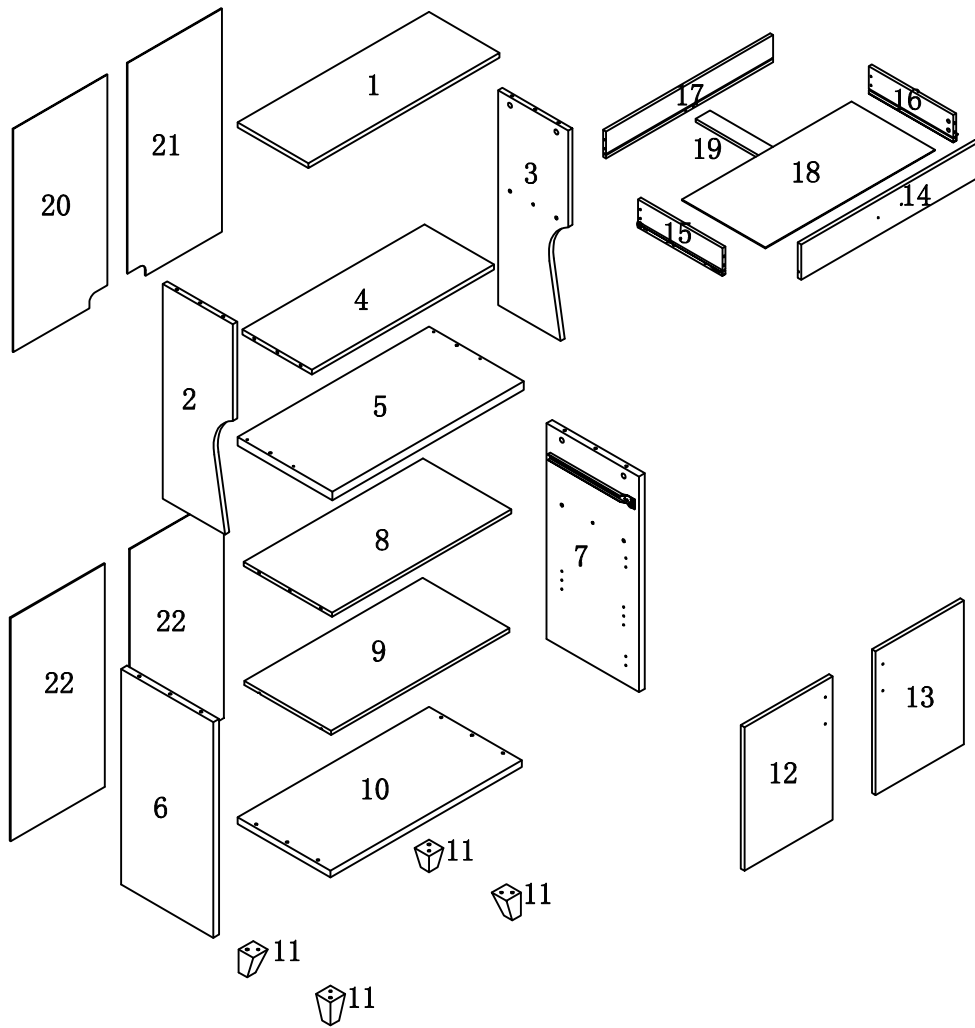
Tip #3: Read manual before assembling, it helps!

ITEM#: 182334



# PARTS IDENTIFICATION




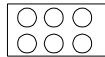
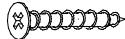
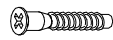





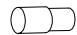




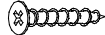
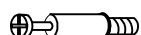



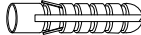

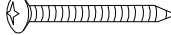


ITEM#: 182334



(1)	1pc	(8)	1pc	(15)	1pc
(2)	1pc	(9)	1pc	(16)	1pc
(3)	1pc	(10)	1pc	(17)	1pc
(4)	1pc	(11)	4pcs	(18)	1pc
(5)	1pc	(12)	1pc	(19)	1pc
(6)	1pc	(13)	1pc	(20)	1pc
(7)	1pc	(14)	1pc	(21)	1pc
				(22)	2pcs

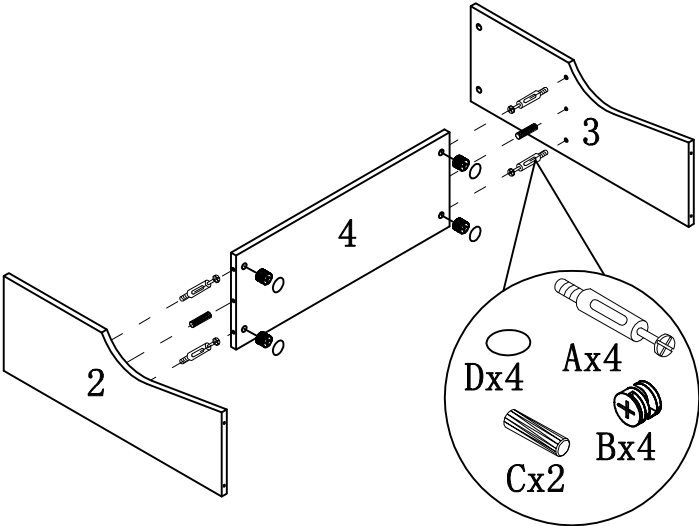
# HARDWARE IDENTIFICATION

ITEM#: 182334

A		L29	16pcs
B		∅15	16pcs
C		∅8x25	16pcs
D		∅22	12pcs
E		∅4x45	4pcs
F		∅7x48	4pcs
G		∅8x∅16x2	8pcs
H		M8x65	4pcs
I		M5	1pc
J		∅16	4pcs
K			55pcs
L		∅5x15	4pcs
M		301C	4pcs
N		∅4x16	16pcs
O		96#	3pcs
P		∅4x22	6pcs
Q		∅4x30	6pcs
R		L20	4pcs
S		∅12	4pcs
T		∅6x30	2pcs
U		197x5x1	1pc
V		∅8x40	1pc
X		12x12x1	2pc
Y		∅5x40	1pc
Z		∅4x25	1pc
A1		Glue: For securing please apply to wood dowel first before inserting into panel	1pc

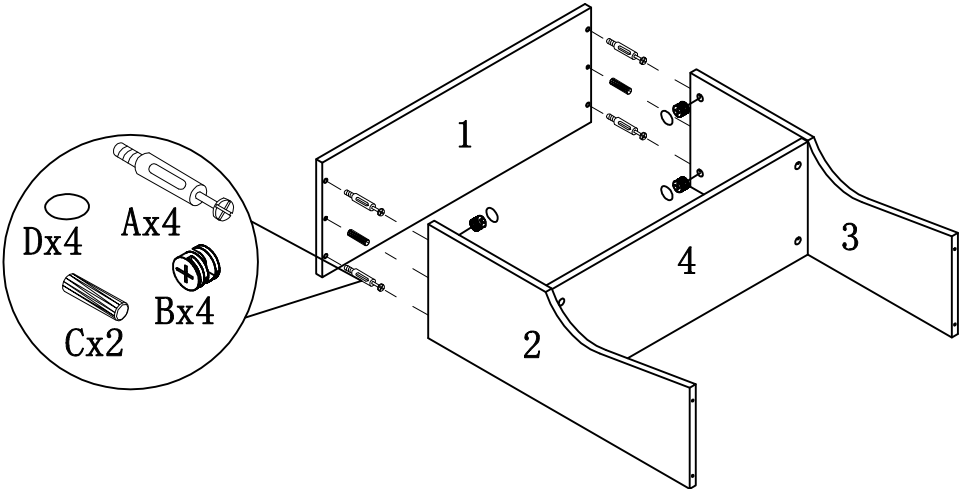
# ASSEMBLY INSTRUCTION

ITEM#: 182334



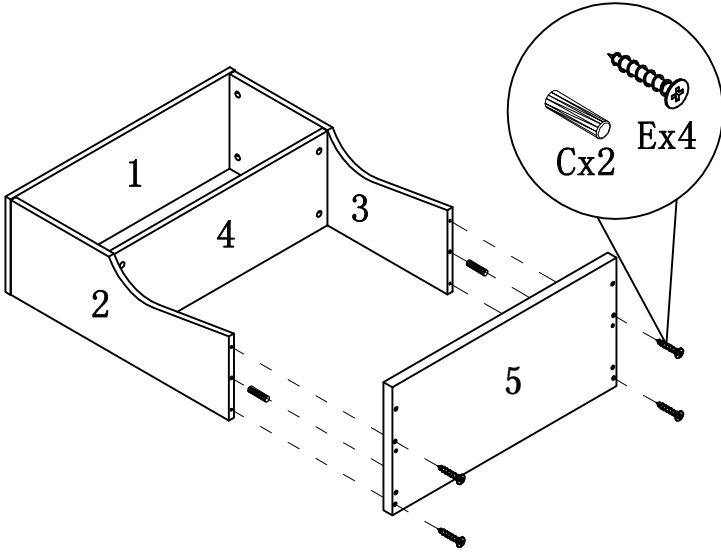
STEP1

STEP2



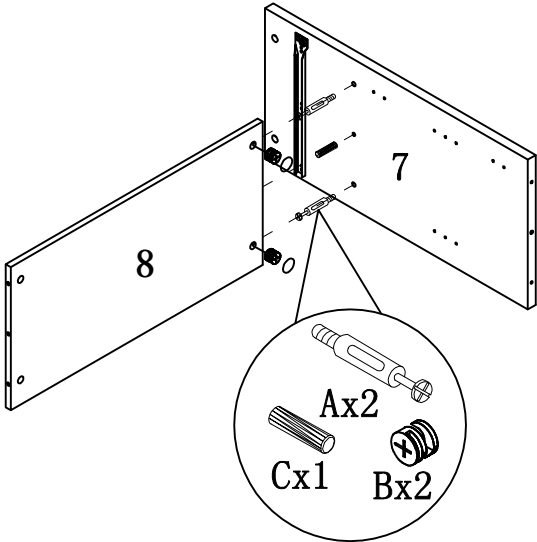
# ASSEMBLY INSTRUCTION

ITEM#: 182334



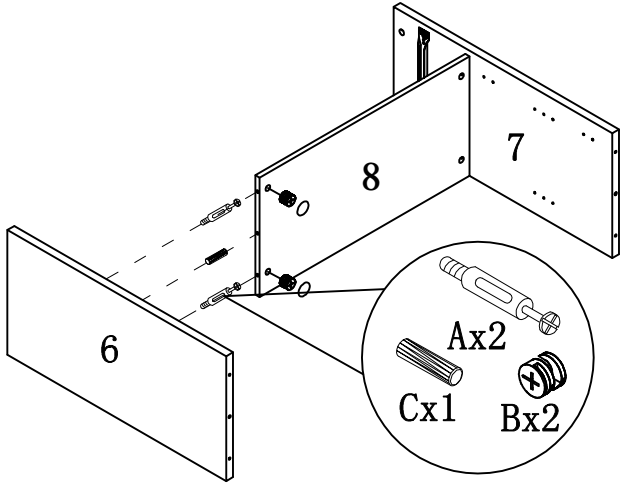
STEP3

STEP4



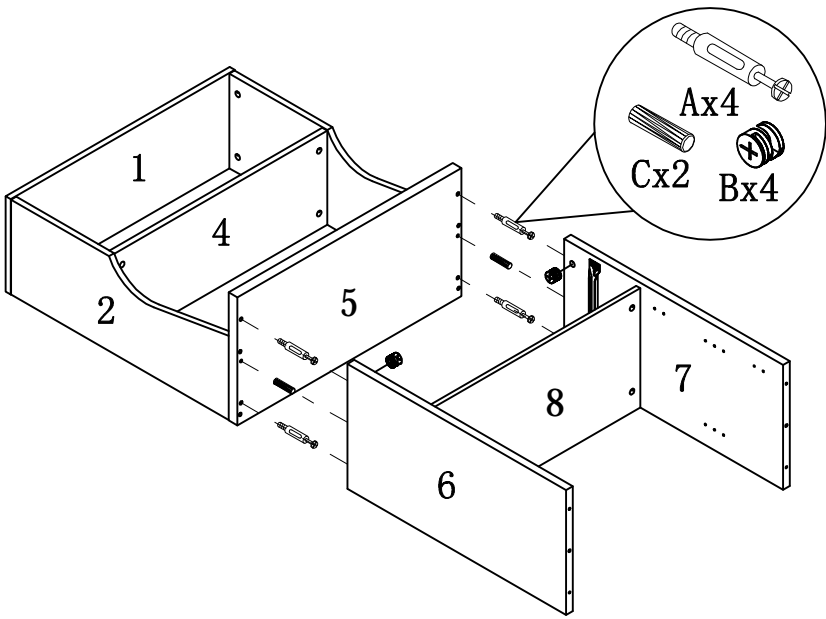
# ASSEMBLY INSTRUCTION

ITEM#: 182334



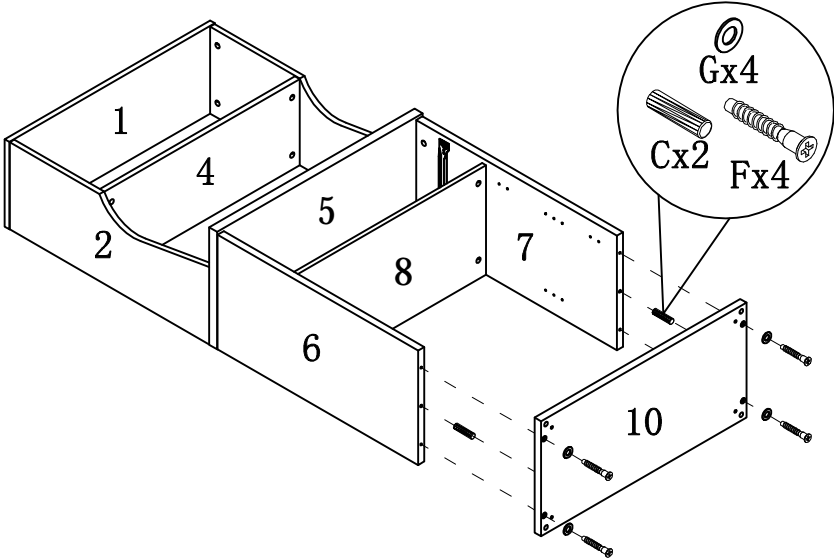
STEP5

STEP6



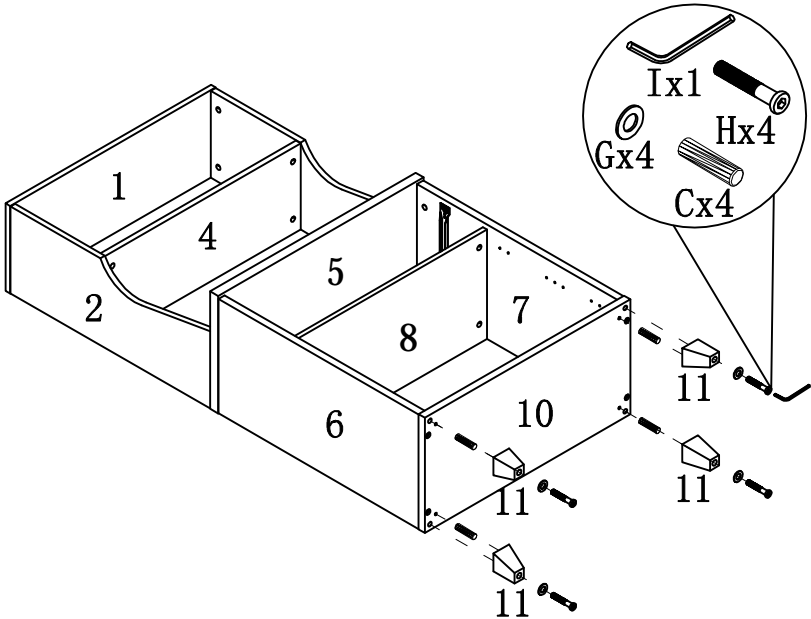
# ASSEMBLY INSTRUCTION

ITEM#: 182334



STEP 7

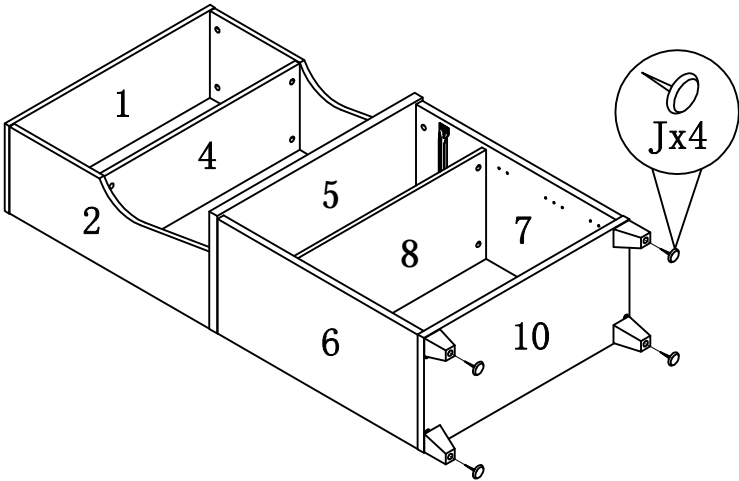
STEP 8





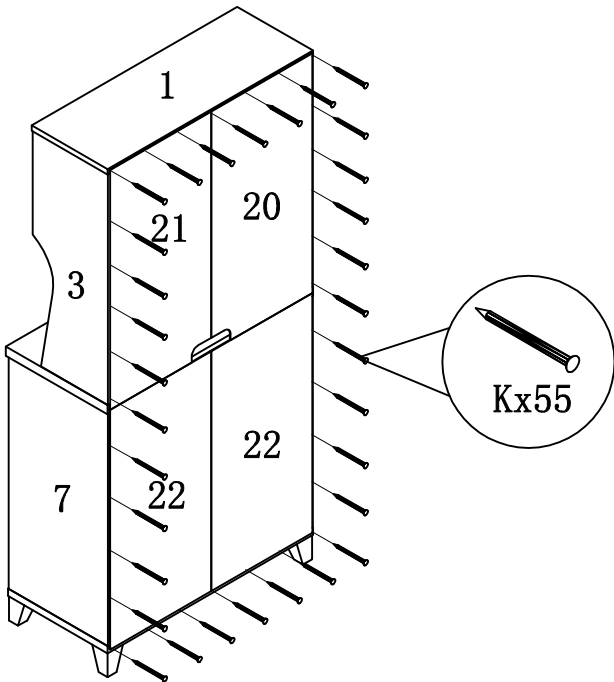
# ASSEMBLY INSTRUCTION

ITEM#: 182334



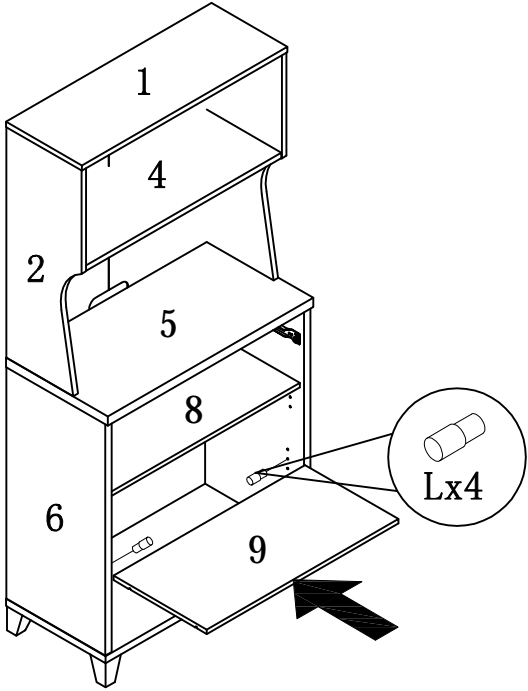
STEP9

STEP10



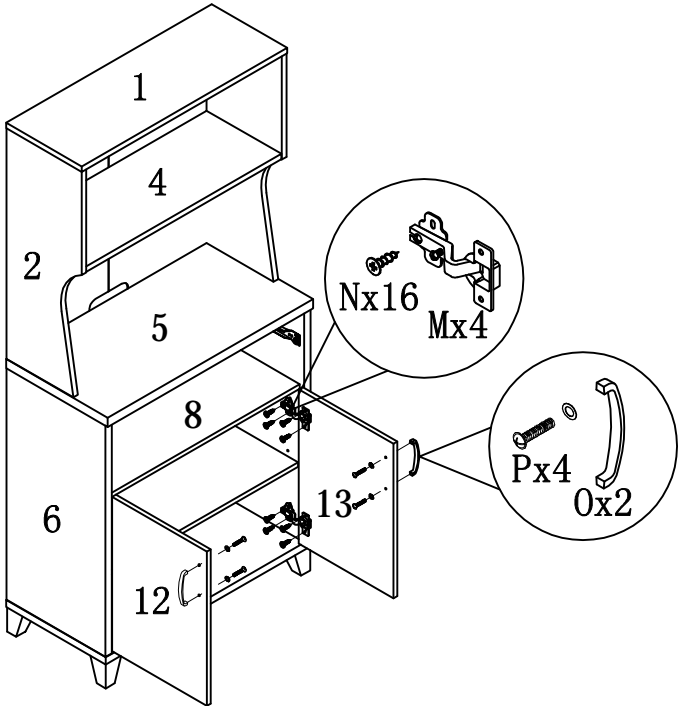
# ASSEMBLY INSTRUCTION

ITEM#: 182334



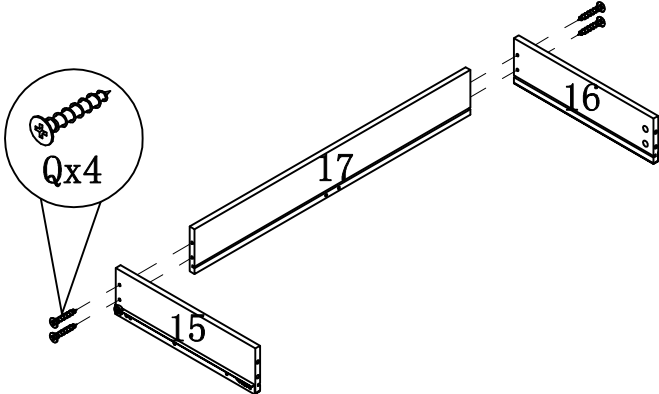
STEP11

STEP12



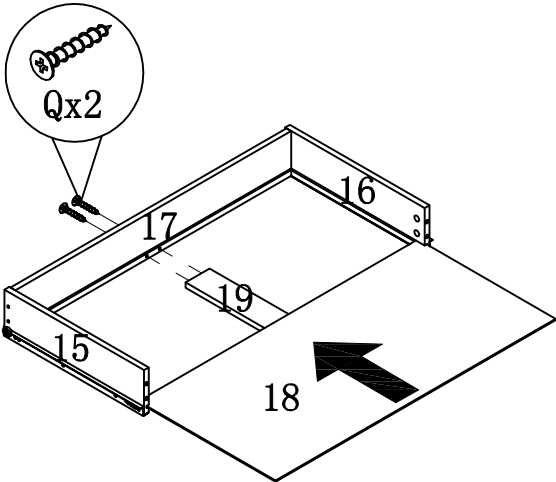
# ASSEMBLY INSTRUCTION

ITEM#: 182334



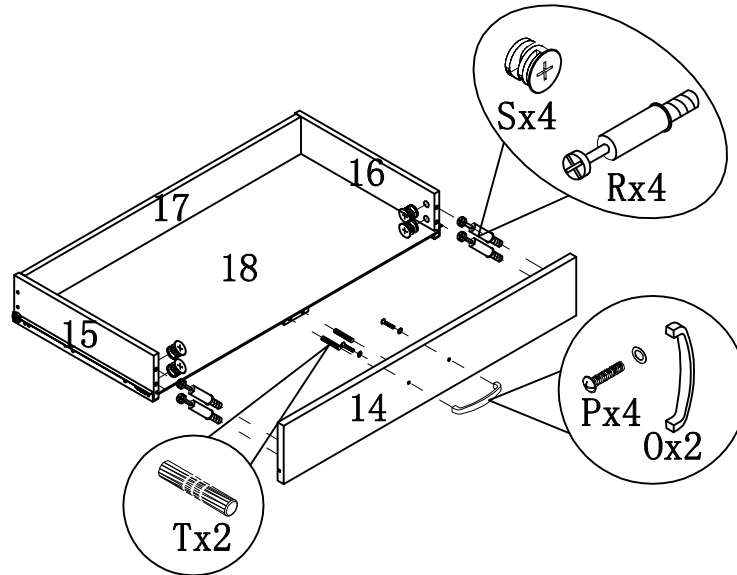
STEP13

STEP14



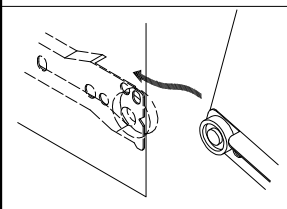
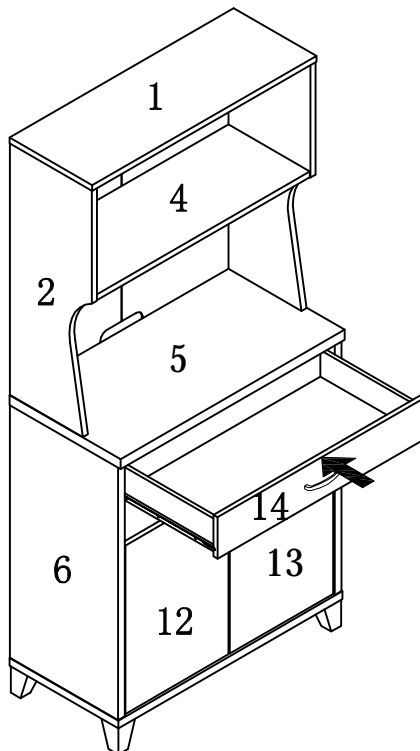
# ASSEMBLY INSTRUCTION

ITEM#: 182334



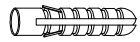
STEP15

STEP16

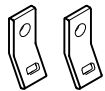


# ANTI-TIPPING STRAP INSTRUCTION

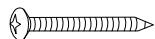
## HARDWARE (INCLUDED):



DRYWALL ANCHOR  $\phi 8 \times 40$  X 1PC



METAL BRACKETS  $12 \times 12 \times 1$  X 2PCS



DRYWALL SCREW  $\phi 5 \times 40$  X 1PC

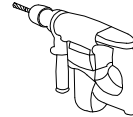


STRAP  $197 \times 5 \times 1$  X 1PC



FLATHEAD SCREW  $\phi 4 \times 25$  X 1PC

## TOOLS NEEDED ( NOT INCLUDED):



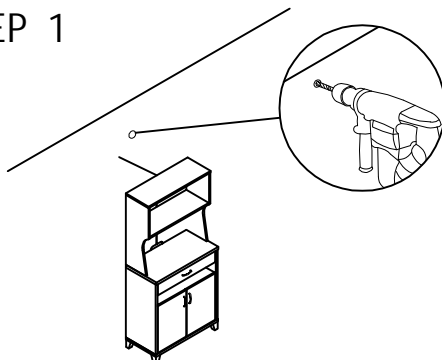
DRILL & DRILL BIT



LIGHT HAMMER

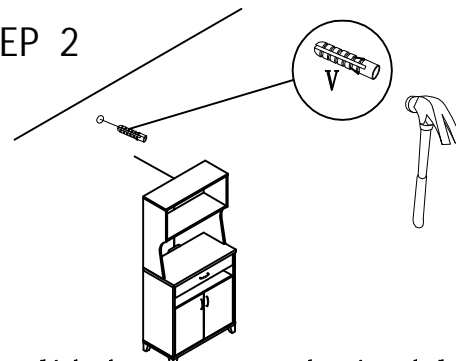
Note: Hardware included only compatible with standard drywalls.

### STEP 1



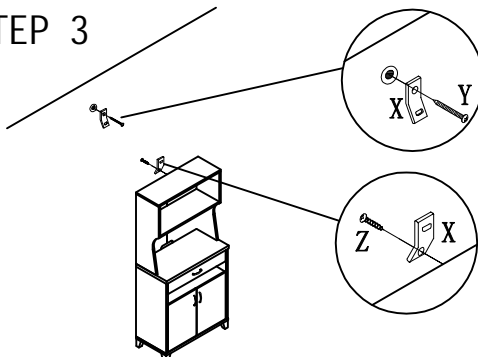
1. Find spot on wall 1" below top of item.
2. Using a drill bit slightly thinner than anchor, drill hole into drywall.

### STEP 2



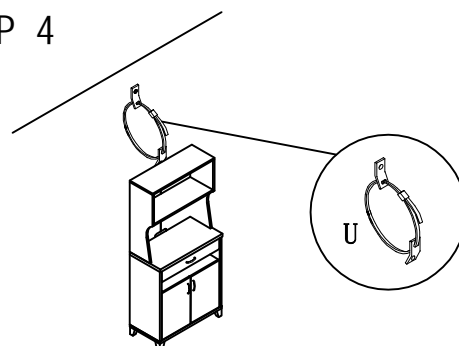
1. Use a light hammer to tap anchor into hole.
2. Anchor should fit snugly. If hole is too small, drill again to increase hole size. Do not force anchor into wall.

### STEP 3



1. Insert drywall screw into metal bracket and into drywall anchor.
2. Insert flathead screw into second metal bracket and into back of item along top edge.

### STEP 4



1. Insert strap thru bracket attached to wall, then thru bracket on item, and into head of strap.
  2. pull lightly til strap stops.
- Assembly is complete.