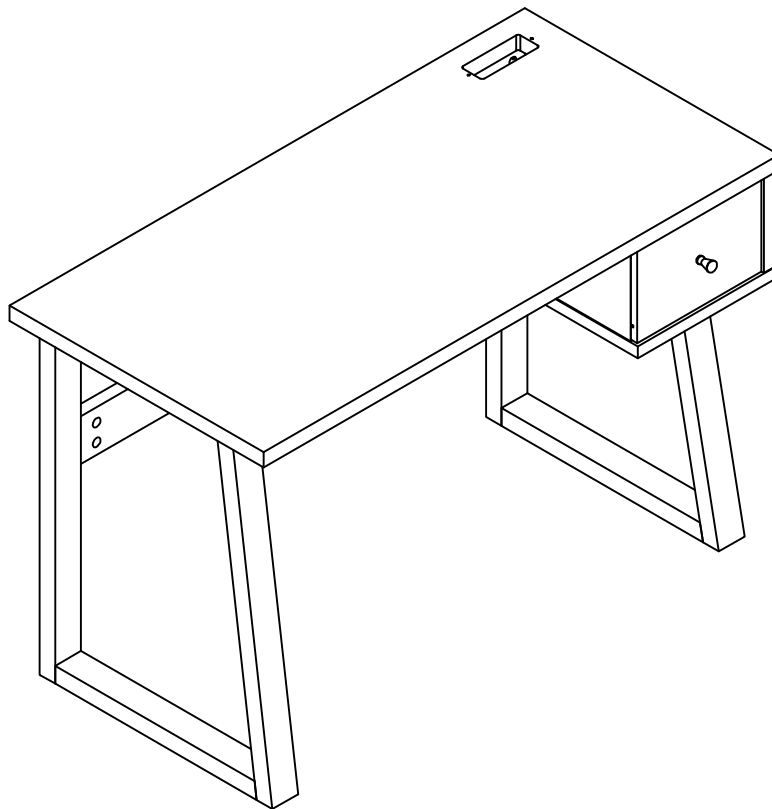


# ASSEMBLY INSTRUCTION

---

ITEM#: 182325



# ASSEMBLY INSTRUCTION

---

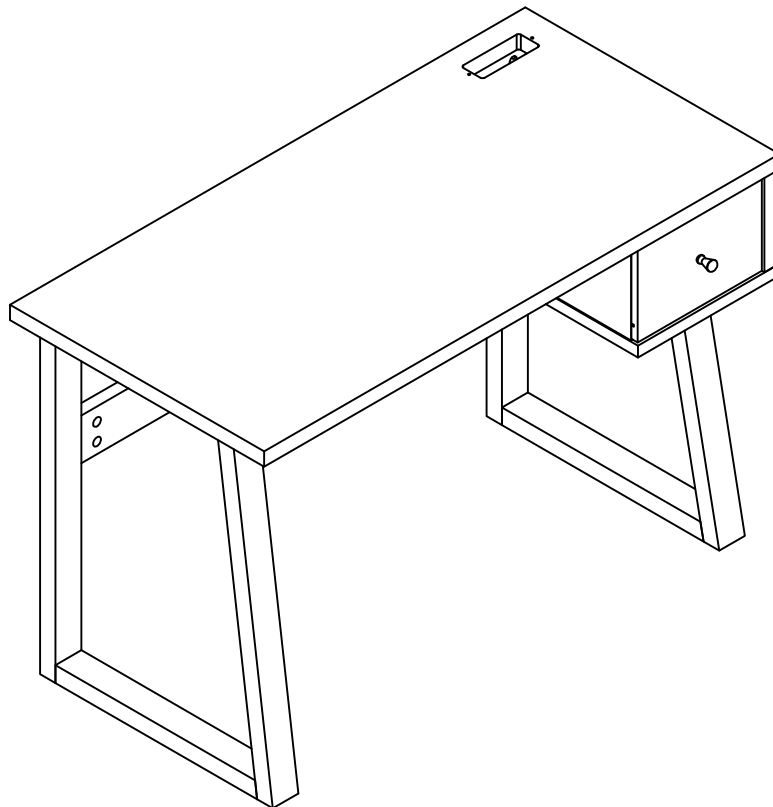
## PLEASE READ BEFORE ASSEMBLING!

Tip #1: Make sure you've taken all the pieces and hardware out of its packaging before discarding the box. Assembly on top of flattened box/blanket is recommended.

Tip #2: Using page 2 and/or page 3 of instruction manual make sure all pieces and hardware are accounted for.

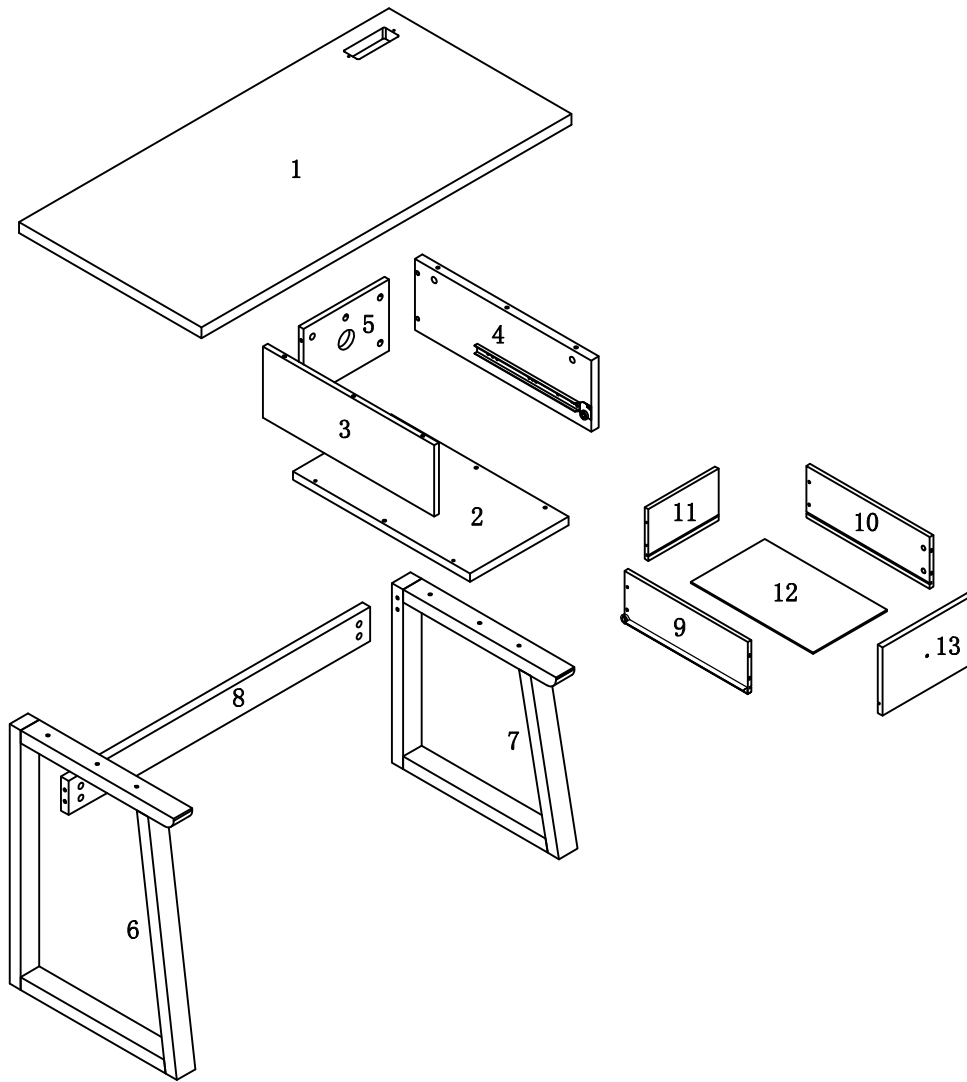
Tip #3: Note position of all holes on each panel during assembly.

ITEM#: 182325



# PARTS IDENTIFICATION



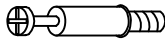


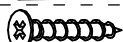

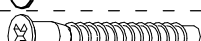


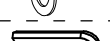

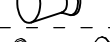


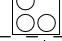


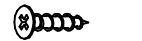
ITEM#: 182325



(1)	1pc	(8)	1pc
(2)	1pc	(9)	1pc
(3)	1pc	(10)	1pc
(4)	1pc	(11)	1pc
(5)	1pc	(12)	1pc
(6)	1pc	(13)	1pc
(7)	1pc		

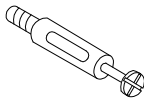

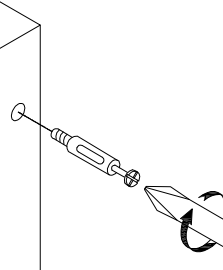
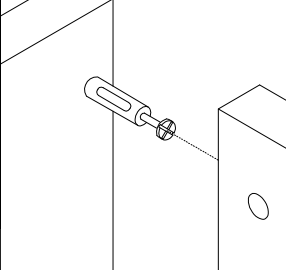
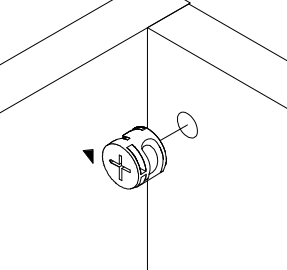
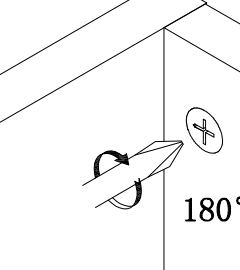
# HARDWARE IDENTIFICATION

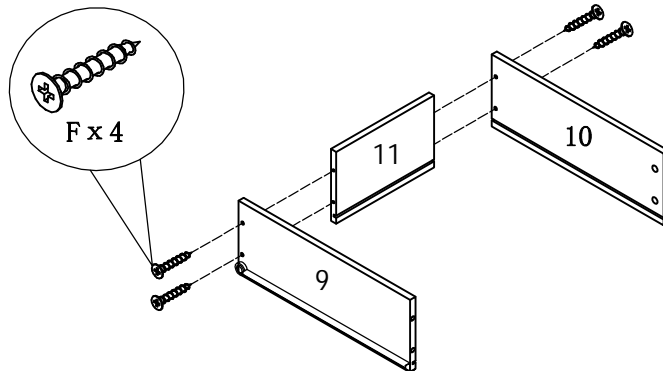
ITEM#: 182325

A		L29	13pcs
B		ø15	13pcs
C		L20	4pcs
D		ø12	4pcs
E		ø8x25	6pcs
F		ø4x30	4pcs
G		ø4x45	3pcs
H		ø7 x 48	2pcs
I		M8x45	4pcs
J		ø16xø8x2	6pcs
K		M5	1pc
L			1pc
M		M4x22	1pc
N		ø22	10pcs
O		ø15	3pcs
P		ø16	4pcs
Q			1pc
R		ø3.5x12	2pcs
S		Glue: For securing please apply to wood dowel first before inserting into panel	1pc

# ASSEMBLY INSTRUCTION

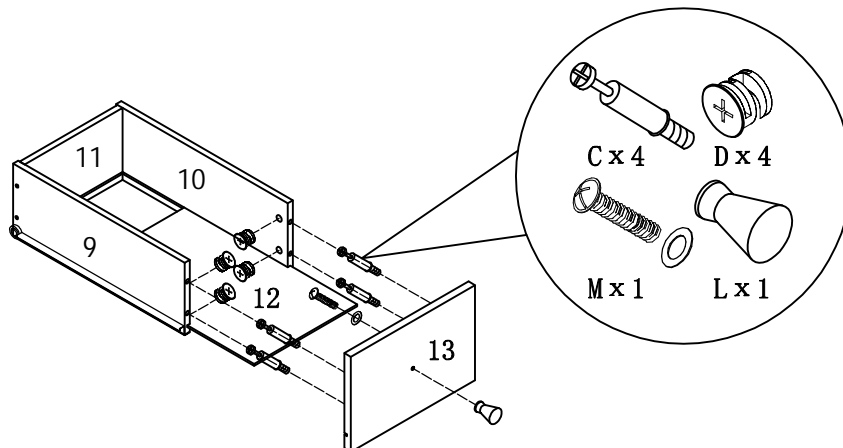
ITEM#: 182325

HOW TO	1	2	3	4
 Cam Bolt   Cam Lock				
	1. Screw Cam Bolt into panel.	2. Insert Cam Bolt into bolt hole of joining panel.	3. Insert Cam Lock. arrow facing bolt.	4. Gently turn Cam Lock clockwise to lock position.



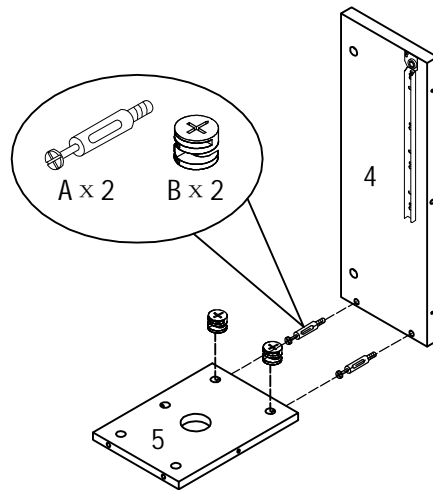
STEP1

STEP2



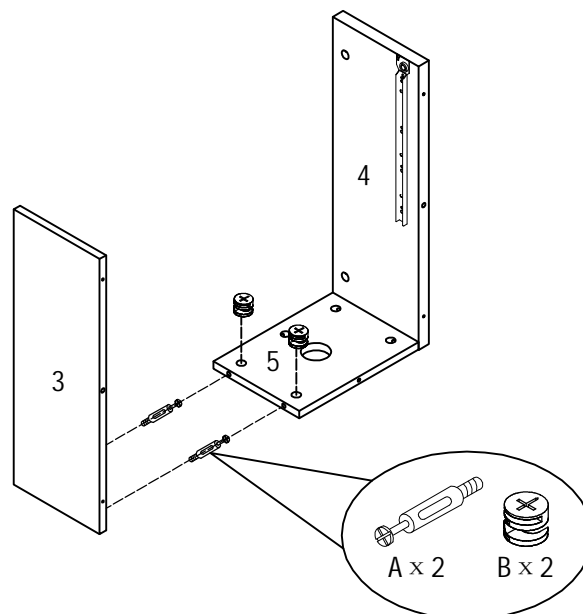
# ASSEMBLY INSTRUCTION

ITEM#: 182325



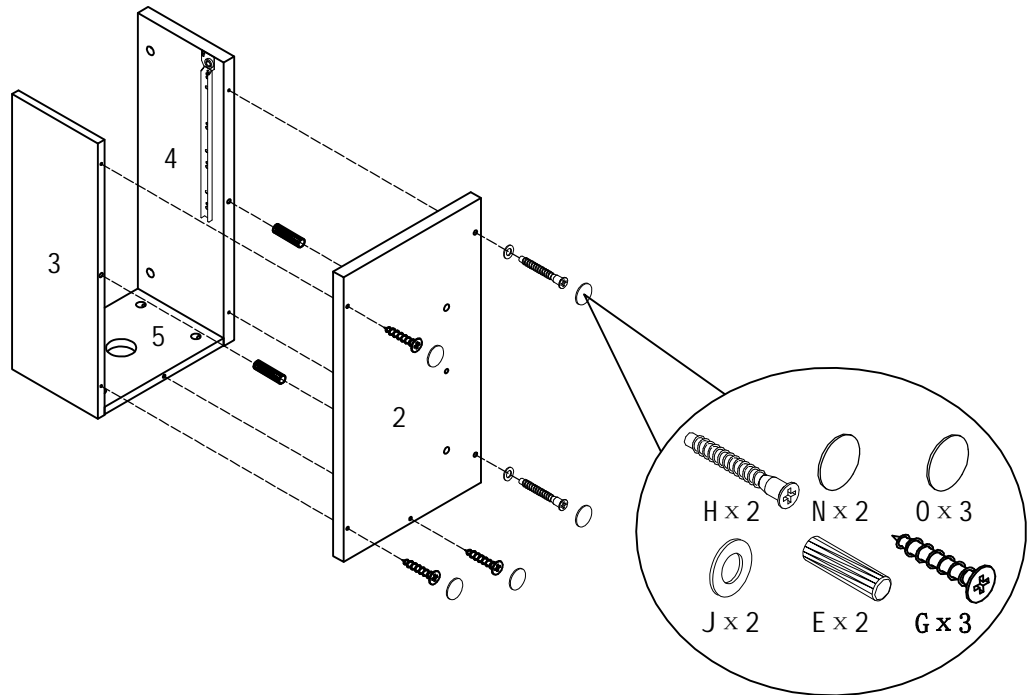
STEP3

STEP4



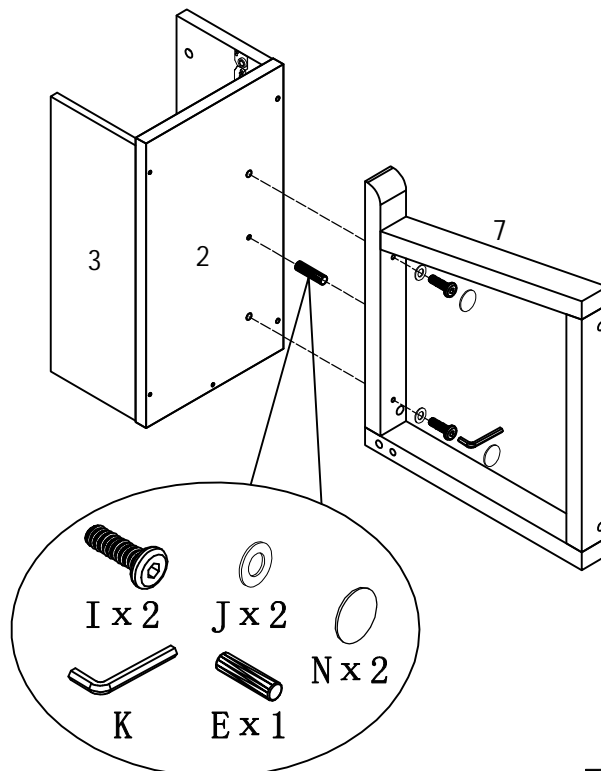
# ASSEMBLY INSTRUCTION

ITEM#: 182325



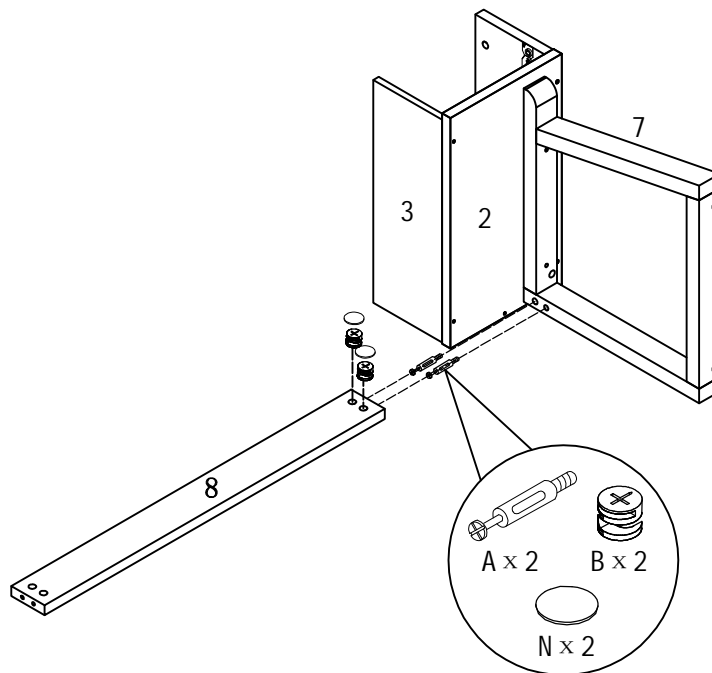
STEP5

STEP6



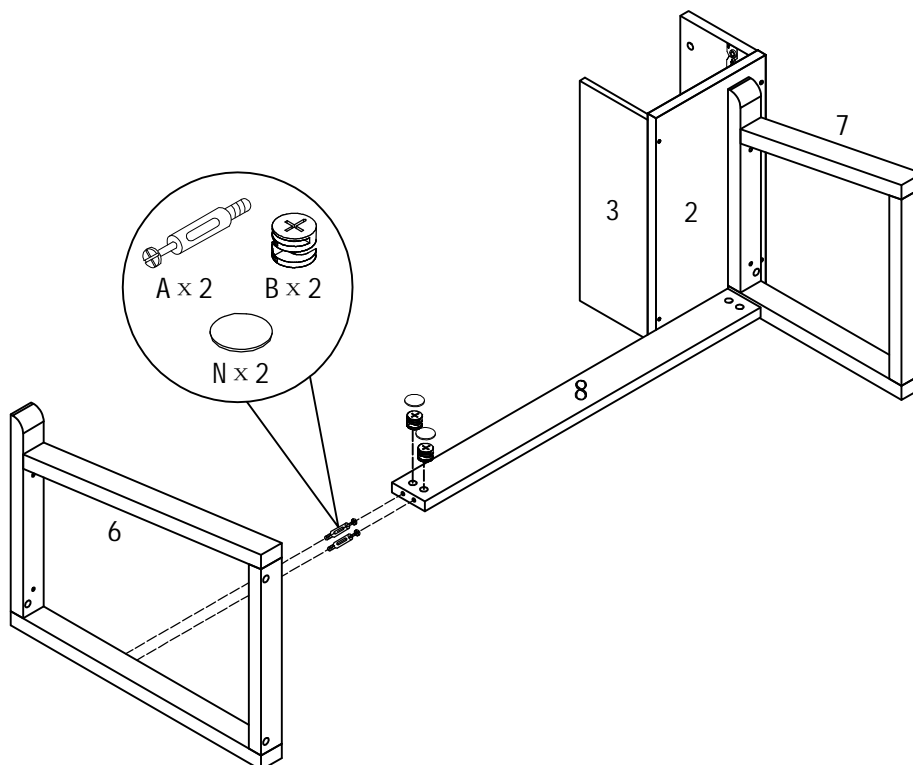
# ASSEMBLY INSTRUCTION

ITEM#: 182325



STEP 7

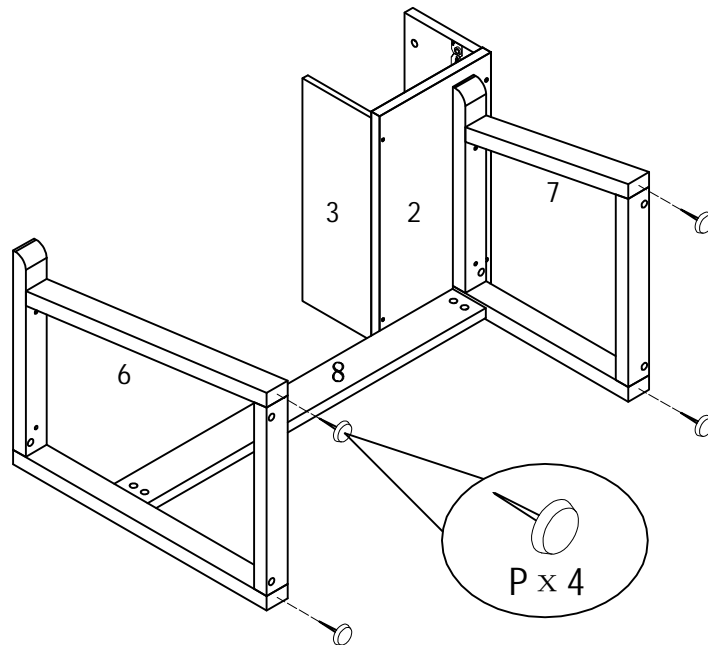
STEP 8





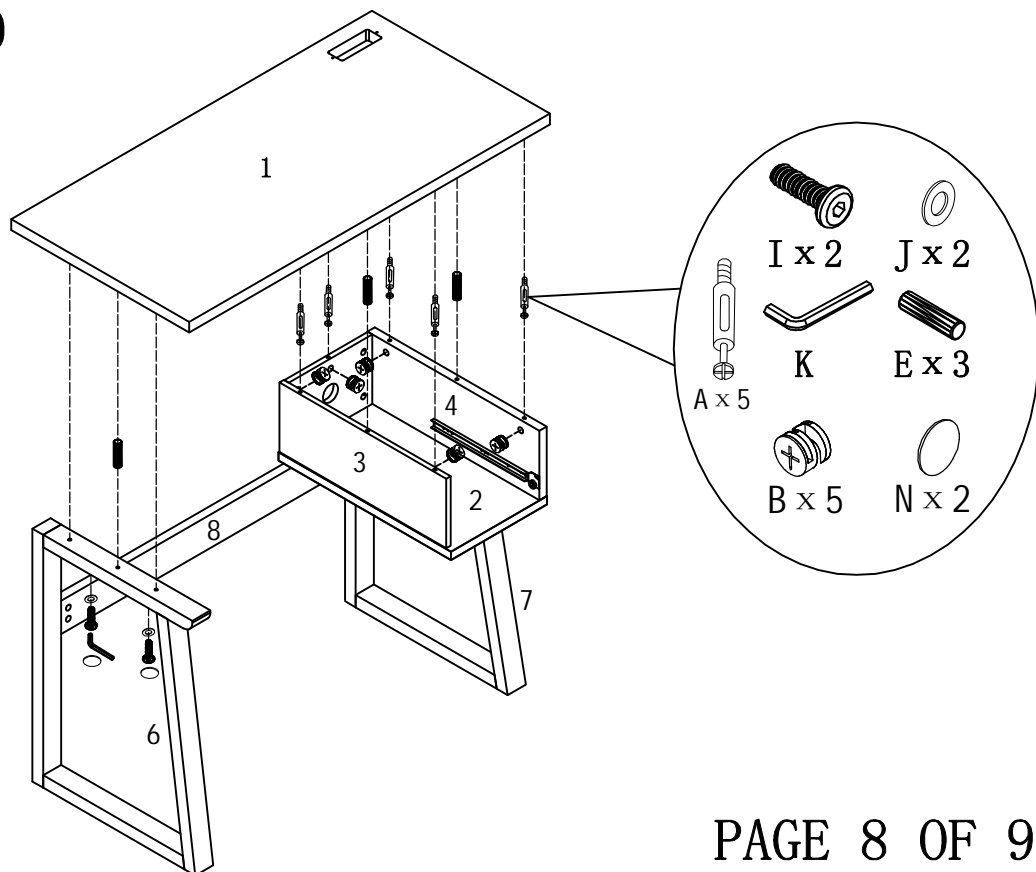
# ASSEMBLY INSTRUCTION

ITEM#: 182325



STEP9

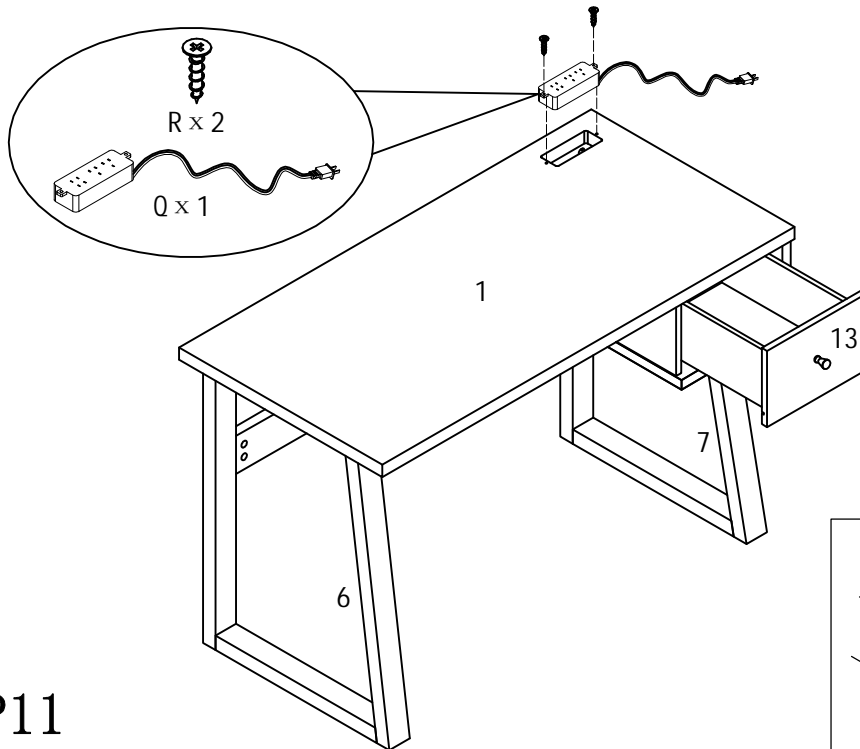
STEP10



PAGE 8 OF 9

# ASSEMBLY INSTRUCTION

ITEM#: 182325



STEP 11

STEP 12

