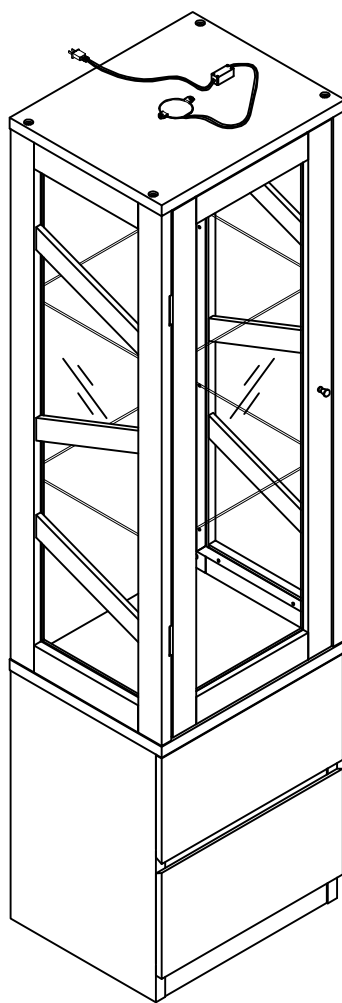


ASSEMBLY INSTRUCTION

ITEM#: 161472/161473



ASSEMBLY INSTRUCTION

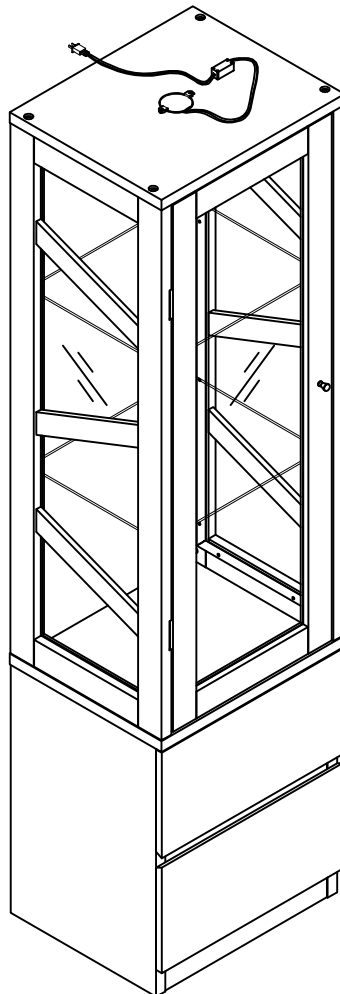
PLEASE READ BEFORE ASSEMBLING!

Tip #1: Make sure you've taken all the pieces and hardware out of its packaging before discarding the box.

Tip #2: Using page 2 and/or page 3 of instruction manual make sure all pieces and hardware are accounted for.

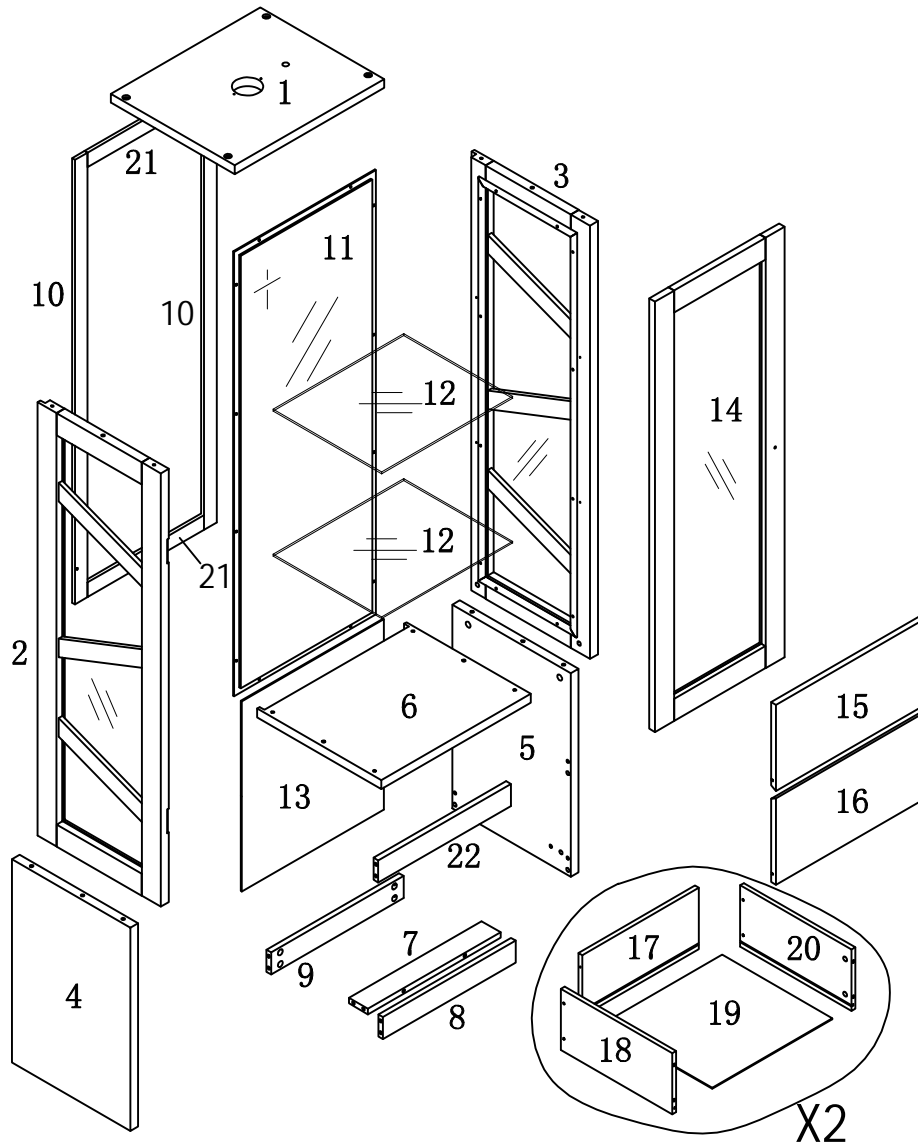
Tip #3: Read manual before assembling, it helps!

ITEM#: 161472/161473



PARTS IDENTIFICATION

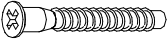


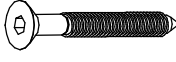
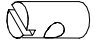
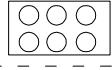
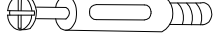

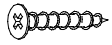



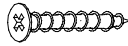


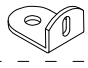


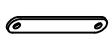

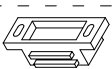
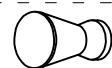
ITEM#: 161472/161473



(1)	1pc	(8)	1pc	(15)	1pc
(2)	1pc	(9)	1pc	(16)	1pc
(3)	1pc	(10)	2pcs	(17)	2pcs
(4)	1pc	(11)	1pc	(18)	2pcs
(5)	1pc	(12)	2pcs	(19)	2pcs
(6)	1pc	(13)	1pc	(20)	2pcs
(7)	1pc	(14)	1pc	(21)	2pcs
				(22)	1pc


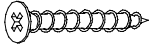
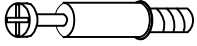


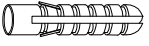

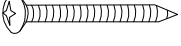
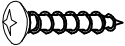


HARDWARE IDENTIFICATION

ITEM#: 161472/161473

A		M7x48	4pcs
B		ø8xø16x2	8pcs
C		ø8x25	10pcs
D		M6x55	4pcs
E		ø10x15	4pcs
F		ø13	4pcs
G		L29	18pcs
H		ø15	18pcs
I		ø4x25	16pcs
J			20pcs
K		ø16	4pcs
L		ø70	1pc
M		ø4x35	2pcs
N		ø3x16	4pcs
O			8pcs
P		23x17x15	8pcs
Q		ø4x16	20pcs
R		10380	2pcs
S			1pc
T		ø3x14	2pcs
U			1pc
V			1pc

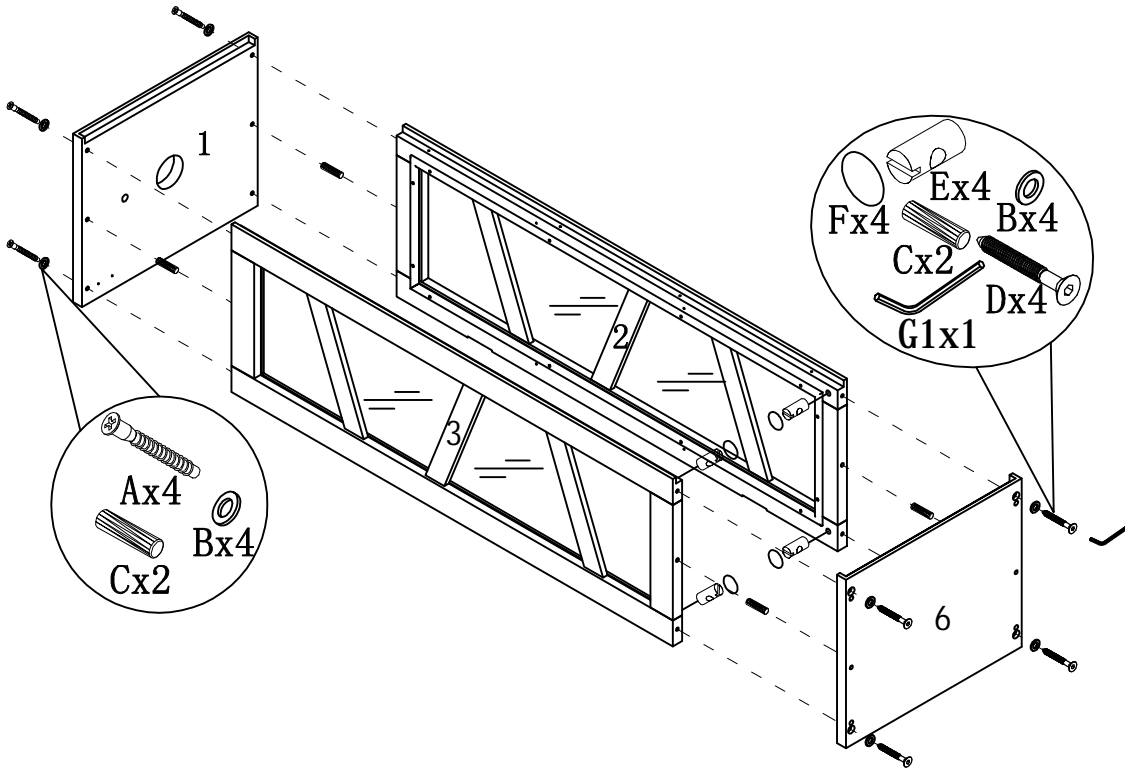
HARDWARE IDENTIFICATION

ITEM#: 161472/161473

W		Ø4x25	1pc
X		Ø4x30	8pcs
Y		L20	8pcs
Z		Ø12	8pcs
A1		197x5x1	1pc
B1		Ø8x40	1pc
C1		12x12x1	2pcs
D1		Ø5x40	1pc
E1		Ø4x25	1pc
F1		Glue: For securing please apply to wood dowel first before inserting into panel	1pc
G1		M4	1pc

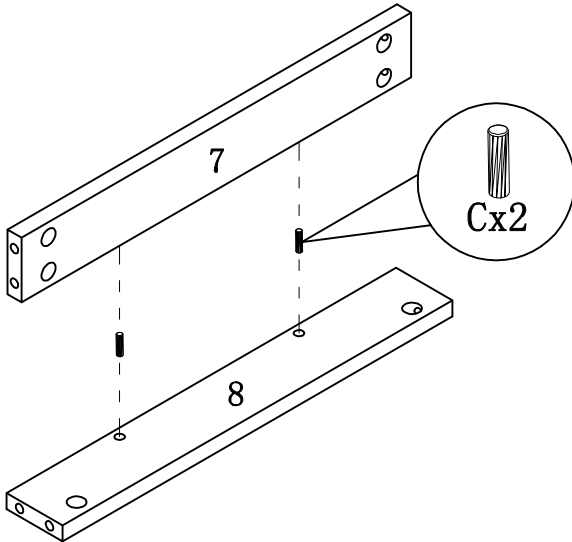
ASSEMBLY INSTRUCTION

ITEM#: 161472/161473



STEP 1

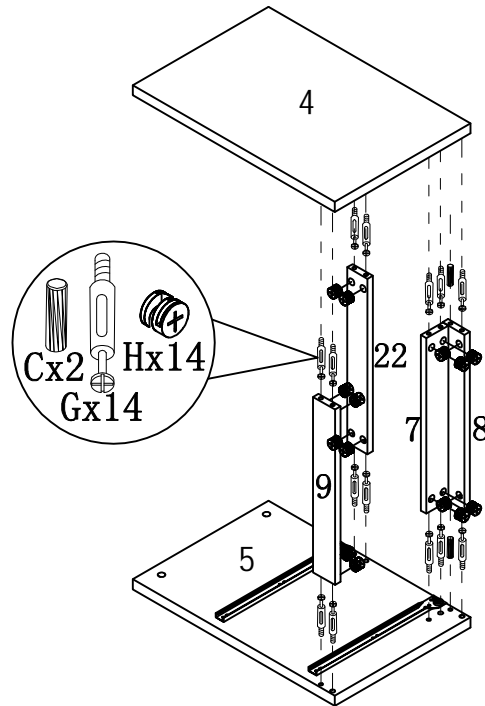
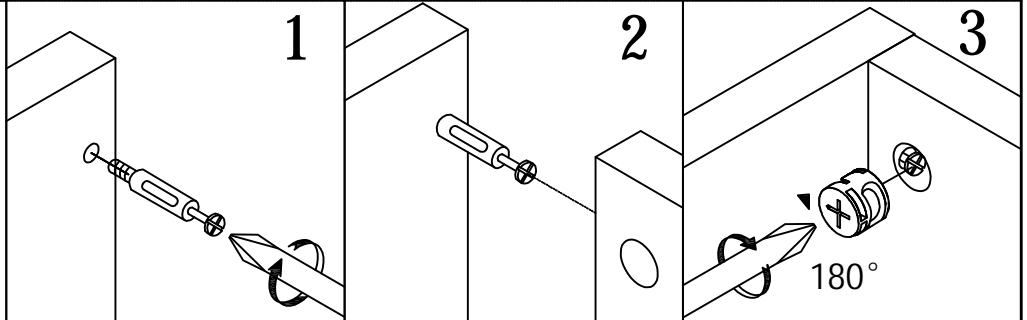
STEP 2



ASSEMBLY INSTRUCTION

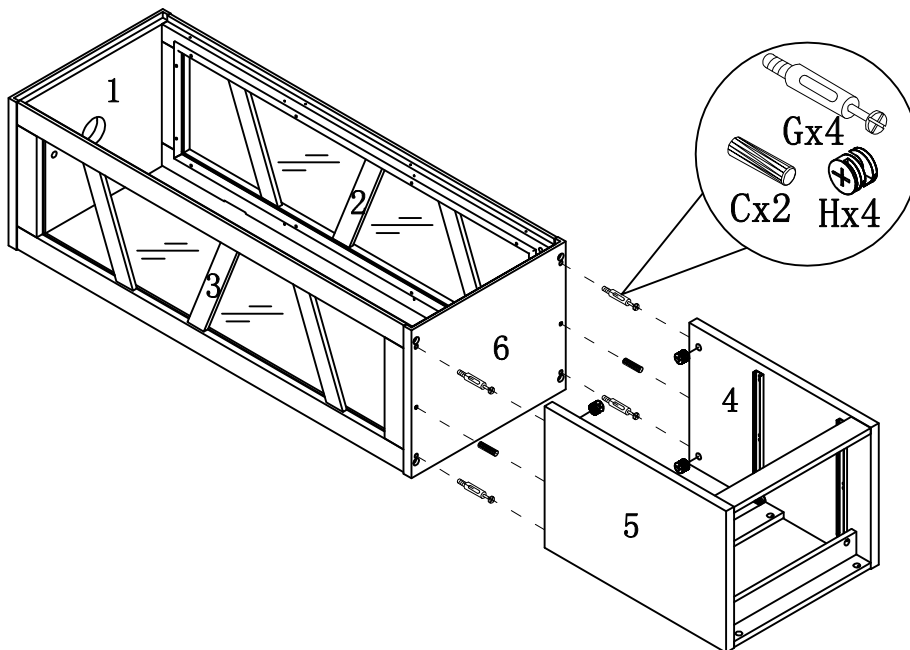
ITEM#: 161472/161473

HOW TO



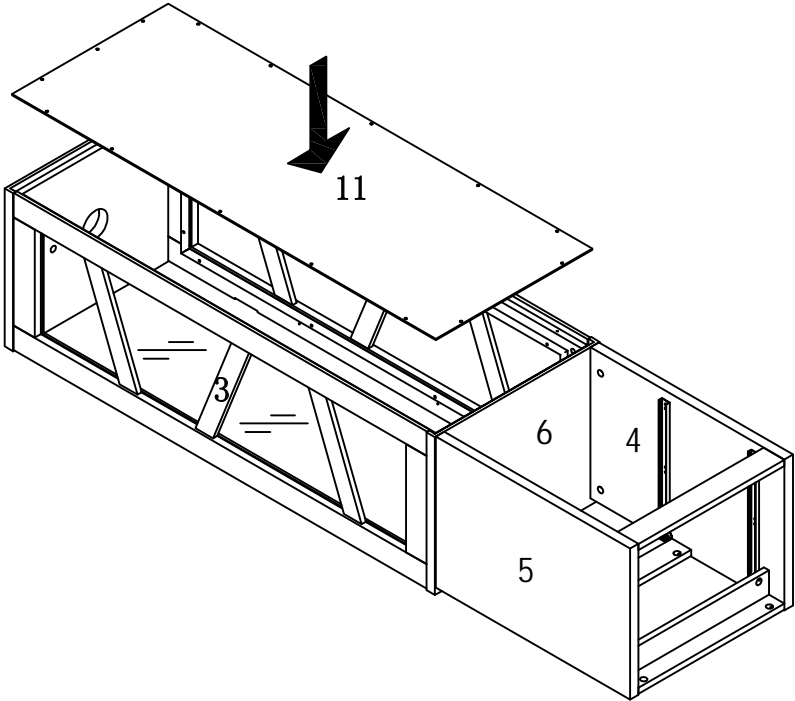
STEP3

STEP4



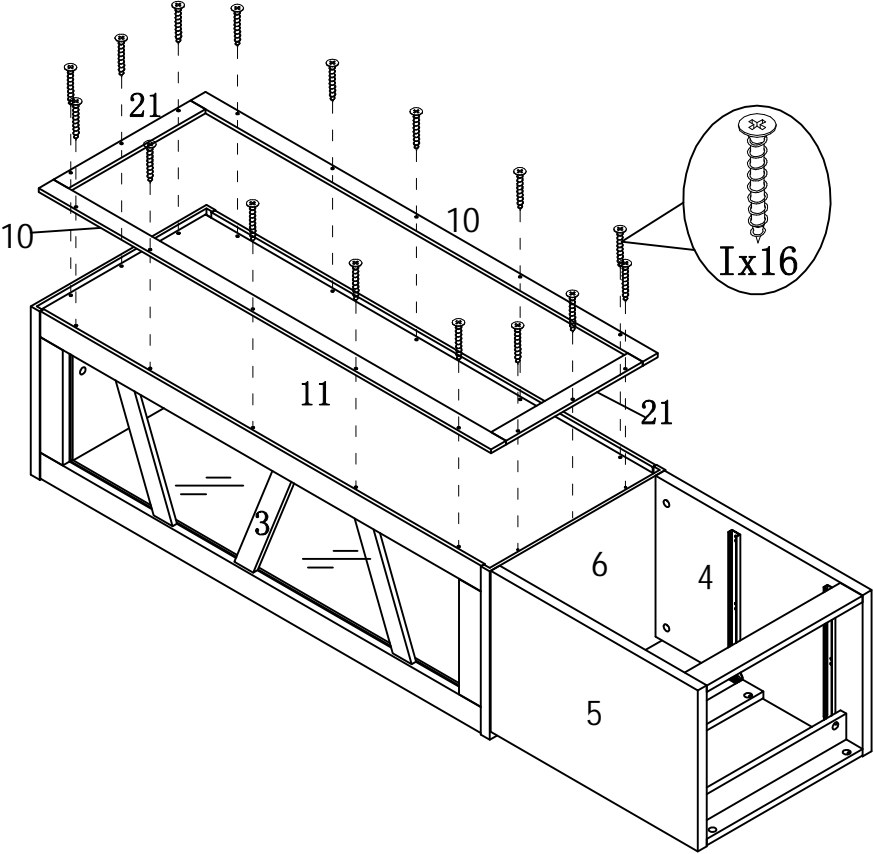
ASSEMBLY INSTRUCTION

ITEM#: 161472/161473



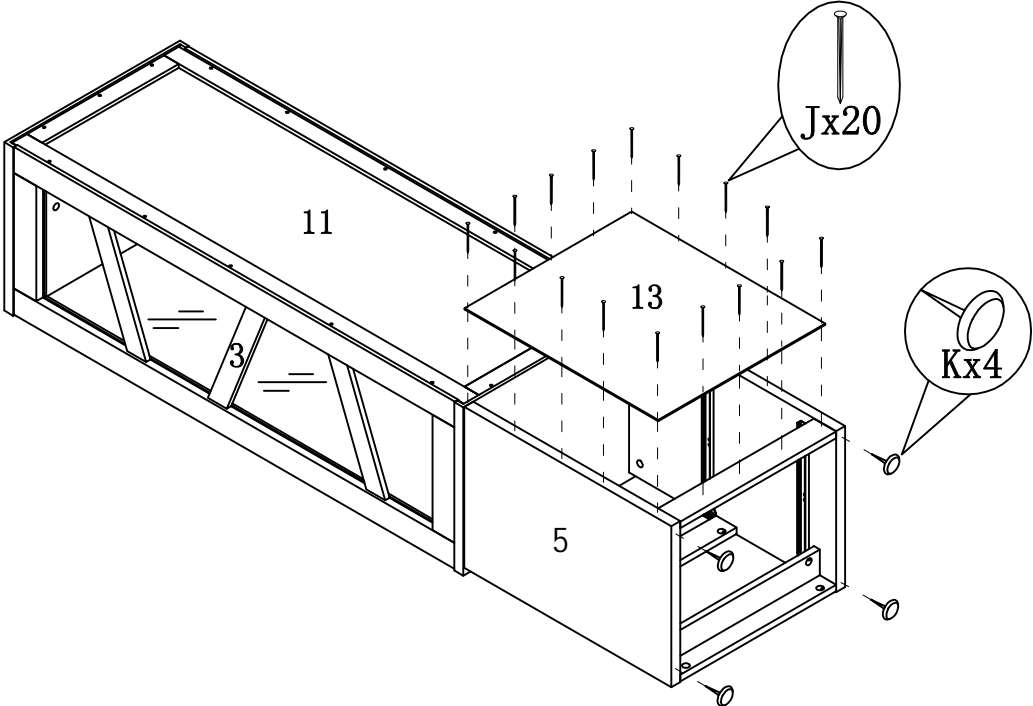
STEP5

STEP6



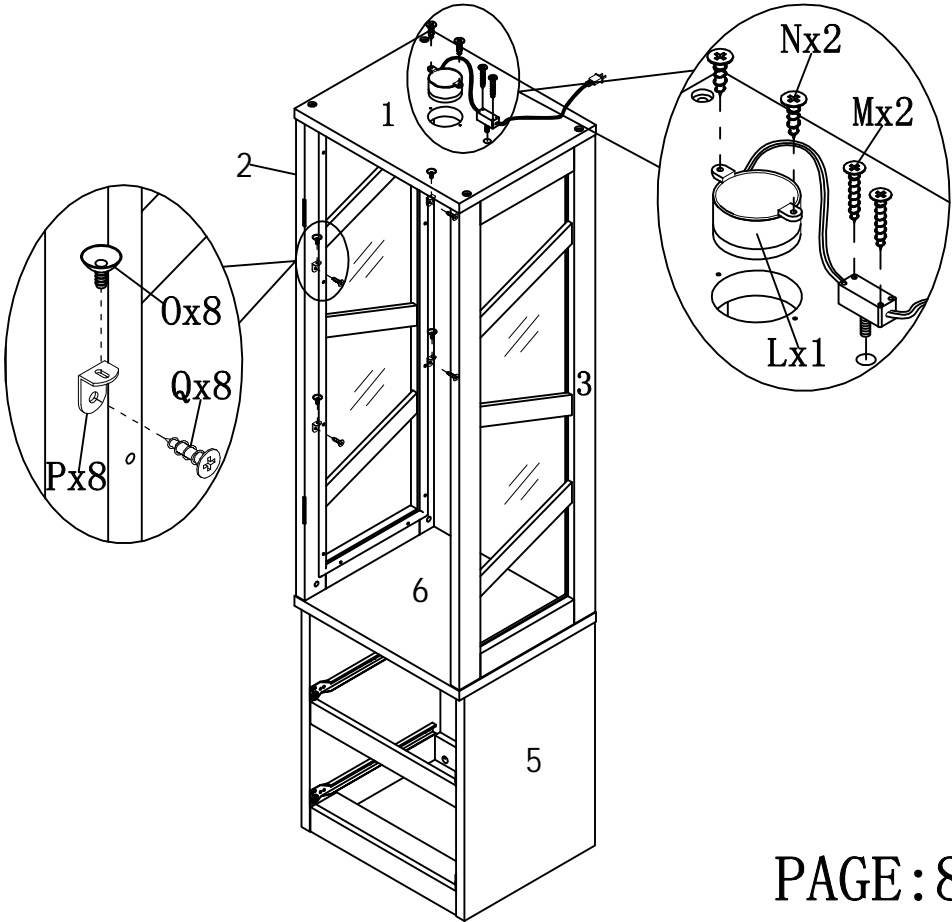
ASSEMBLY INSTRUCTION

ITEM#: 161472/161473



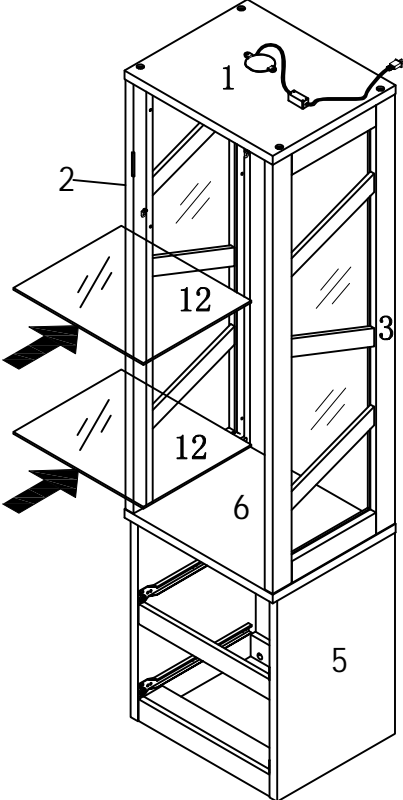
STEP7

STEP8



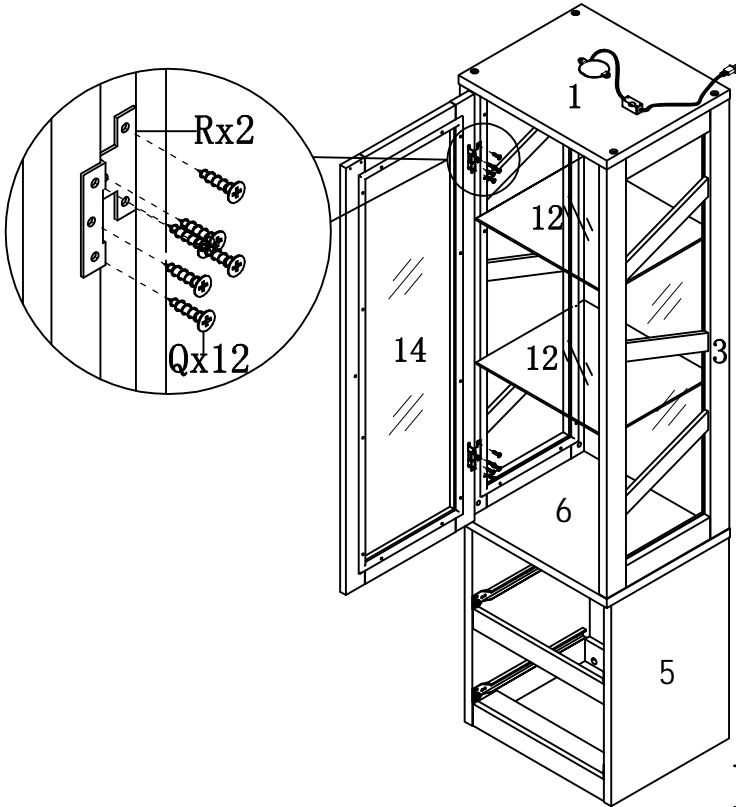
ASSEMBLY INSTRUCTION

ITEM#: 161472/161473



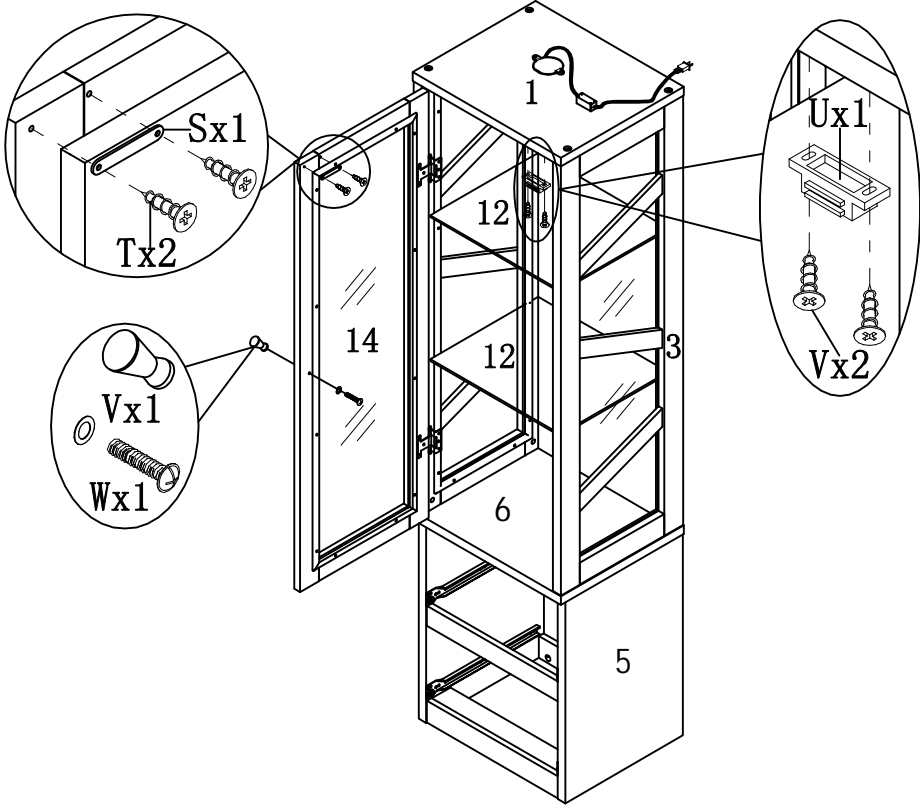
STEP9

STEP10



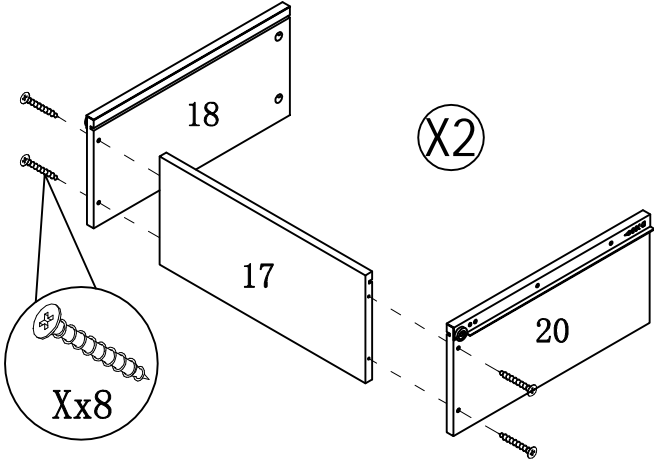
ASSEMBLY INSTRUCTION

ITEM#: 161472/161473



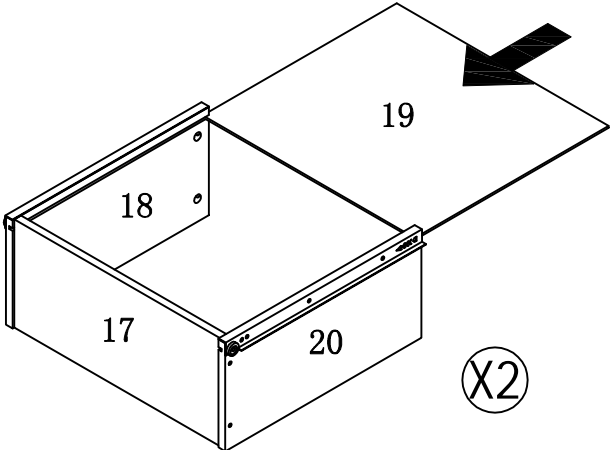
STEP 11

STEP 12



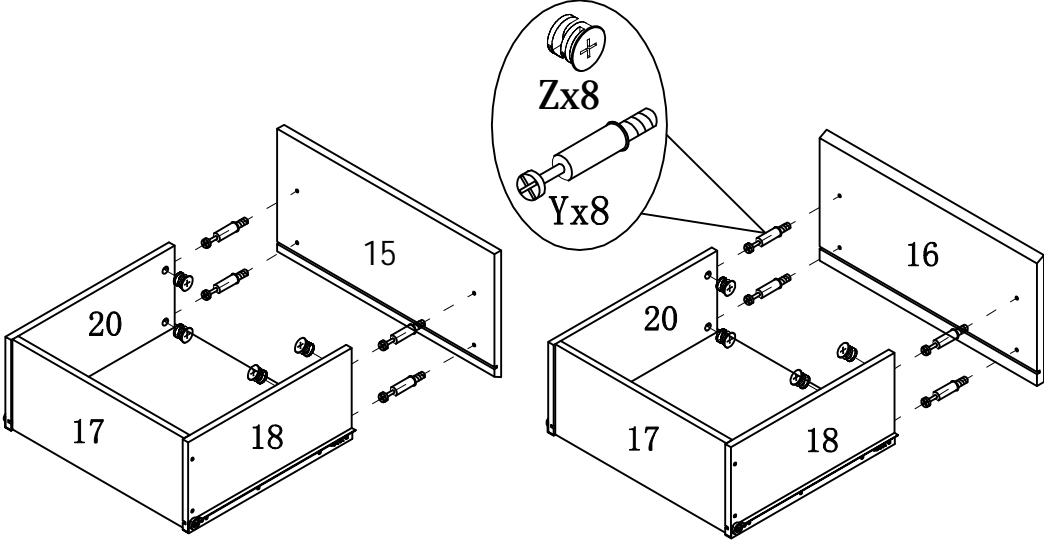
ASSEMBLY INSTRUCTION

ITEM#: 161472/161473



STEP 13

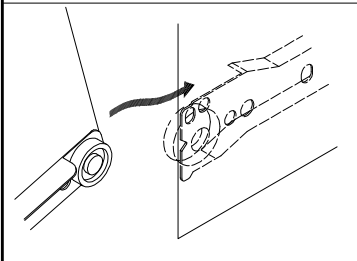
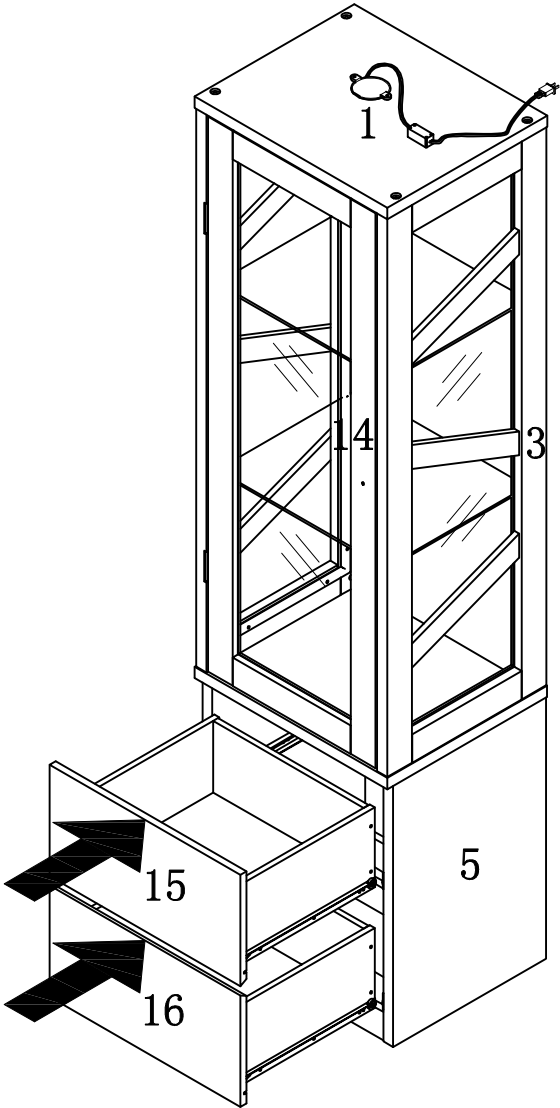
STEP 14



ASSEMBLY INSTRUCTION

ITEM#: 161472/161473

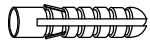
STEP 15



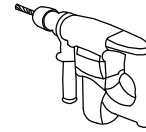
ANTI-TIPPING STRAP INSTRUCTION

HARDWARE (INCLUDED) :

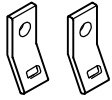
TOOLS NEEDED (NOT INCLUDED) :



DRYWALL ANCHOR $\phi 8 \times 40$ X 1PC



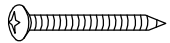
DRILL & DRILL BIT



METAL BRACKETS $12 \times 12 \times 1$ X 2PCS



LIGHT HAMMER



DRYWALL SCREW $\phi 5 \times 40$ X 1PC



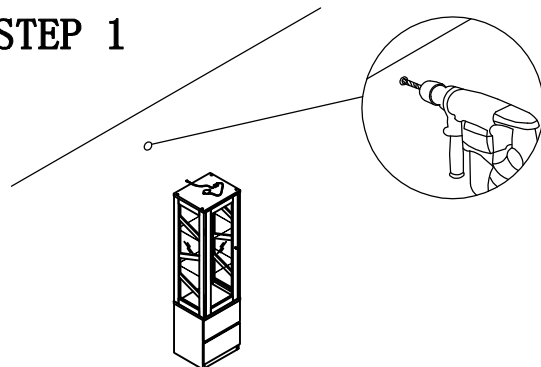
STRAP $197 \times 5 \times 1$ X 1PC



FLATHEAD SCREW $\phi 4 \times 25$ X 1PC

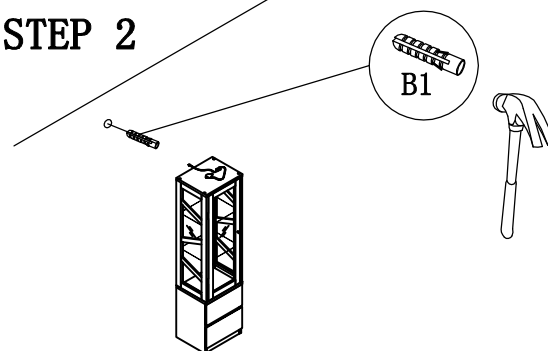
Note: Hardware included only compatible with standard drywalls.

STEP 1



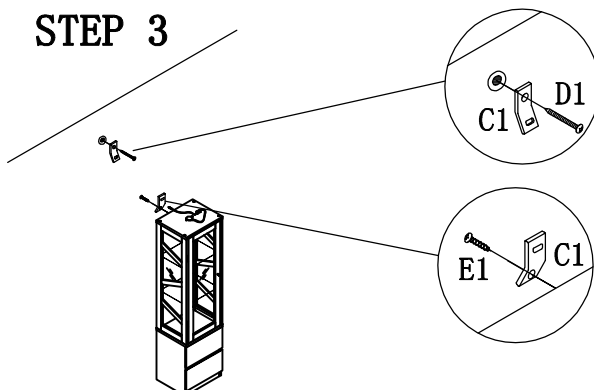
1. Find spot on wall 1" below top of item.
2. Using a drill bit slightly thinner than anchor, drill hole into drywall.

STEP 2



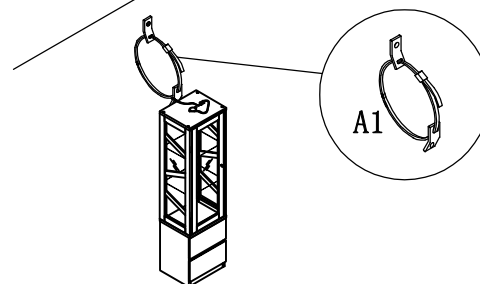
1. Use a light hammer to tap anchor into hole.
2. Anchor should fit snugly. If hole is too small, drill again to increase hole size. Do not force anchor into wall.

STEP 3



1. Insert drywall screw into metal bracket and into drywall anchor.
2. Insert flathead screw into second metal bracket and into back of item along top edge.

STEP 4



1. Insert strap thru bracket attached to wall, then thru bracket on item, and into head of strap.
 2. pull lightly til strap stops.
- Assembly is complete.