

ASSEMBLY INSTRUCTION

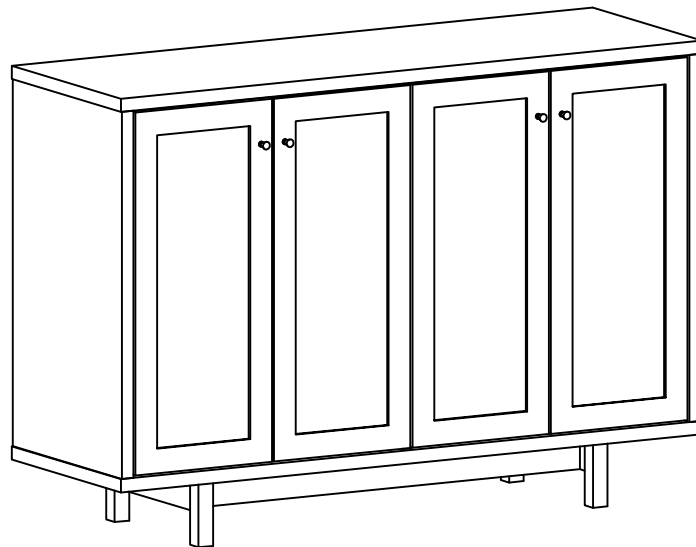
PLEASE READ BEFORE ASSEMBLING!

Tip #1: Make sure you've taken all the pieces and hardware out of its packaging before discarding the box.

Tip #2: Using page 2 and/or page 3 of instruction manual make sure all pieces and hardware are accounted for.

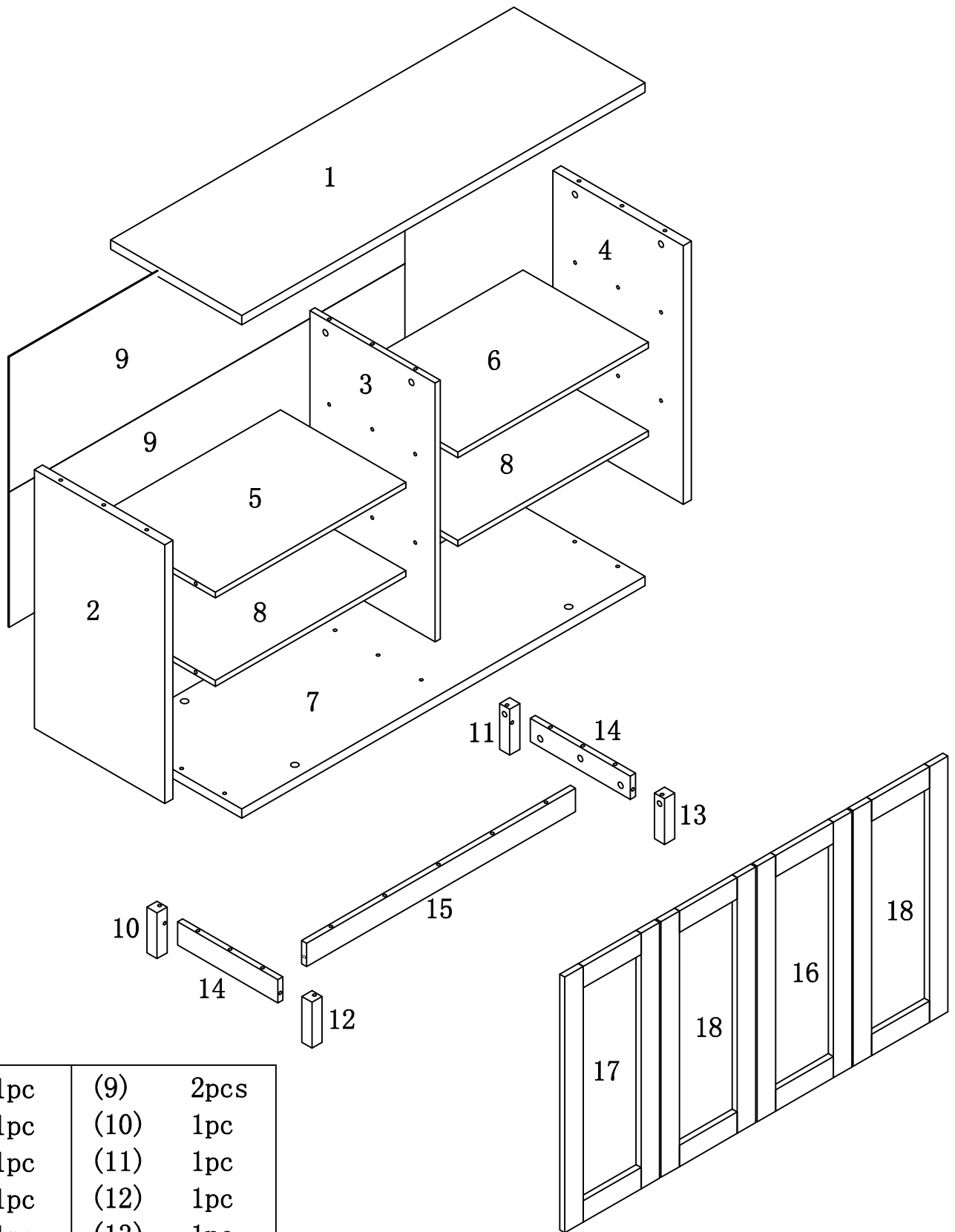
Tip #3: Read manual before assembling, it helps!

ITEM#: 151370



PARTS IDENTIFICATION

ITEM#: 151370




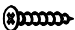







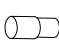
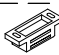




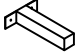



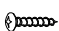






(1)	1pc	(9)	2pcs
(2)	1pc	(10)	1pc
(3)	1pc	(11)	1pc
(4)	1pc	(12)	1pc
(5)	1pc	(13)	1pc
(6)	1pc	(14)	2pcs
(7)	1pc	(15)	1pc
(8)	2pcs	(16)	1pc

(17)	1pc
(18)	2pcs

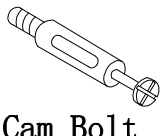
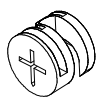
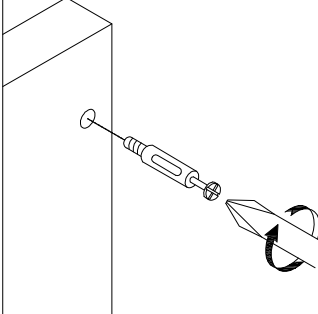
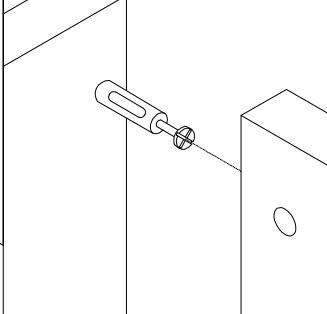
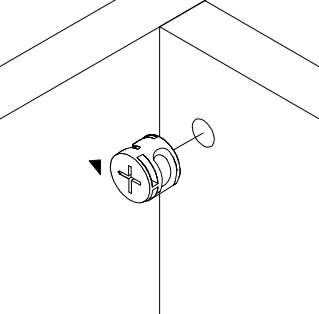
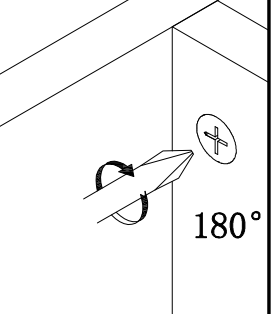
HARDWARE IDENTIFICATION

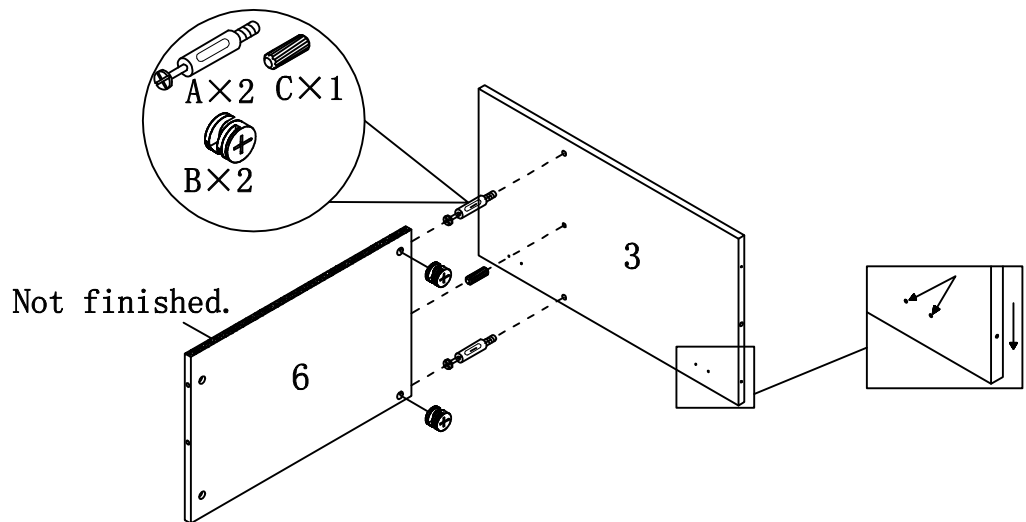
ITEM#: 151370

A		L29	23pcs
B		Ø15	23pcs
C		Ø8x25	20pcs
D		Ø4x40	2pcs
E		Ø4x16	34pcs
F		Ø3x16	4pcs
G		Ø7x48	4pcs
H		Ø6x30	4pcs
I		Ø8x16x2	8pcs
J			4pcs
K		M4x22	4pcs
L		Ø5x15	8pcs
M			2pcs
N		Ø16	4pcs
O			34pcs
P		Ø20	8pcs
Q		Ø22	4pcs
R		80X25X119	1pc
S		301B	4pcs
T		301C	4pcs
U		197×5×1	1pc
V		Ø4X25	1pc
W		Ø5X40	1pc
X		Ø8X40	1pc
Y		12×12×1	2pcs
Z		Glue: For securing please apply to wood dowel first before inserting into panel	1pc

ASSEMBLY INSTRUCTION

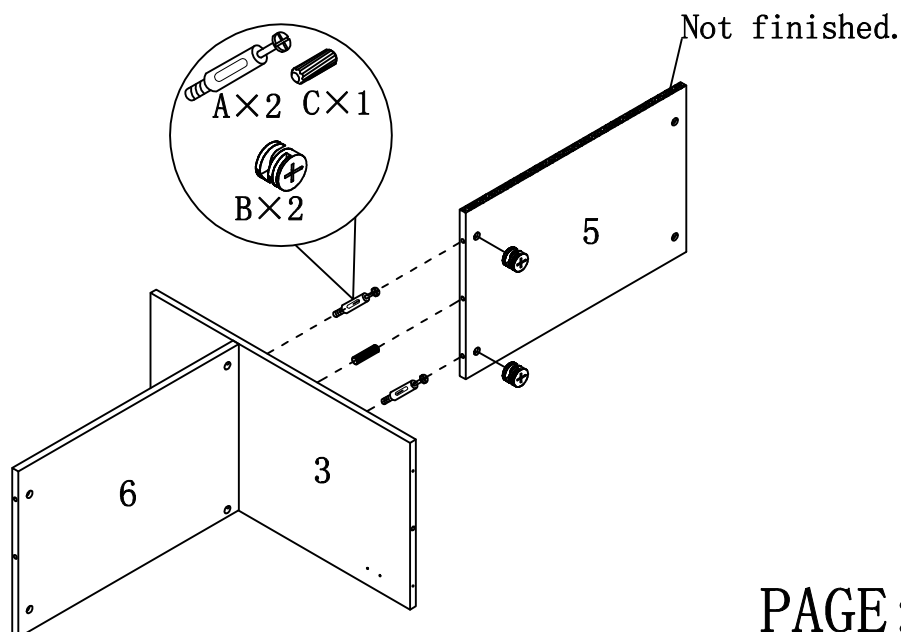
ITEM#: 151370

HOW TO	1	2	3	4
 Cam Bolt  Cam Lock				
	1. Screw Cam Bolt into panel.	2. Insert Cam Bolt into bolt hole of joining panel.	3. Insert Cam Lock. arrow facing bolt.	4. Gently turn Cam Lock clockwise to lock position.



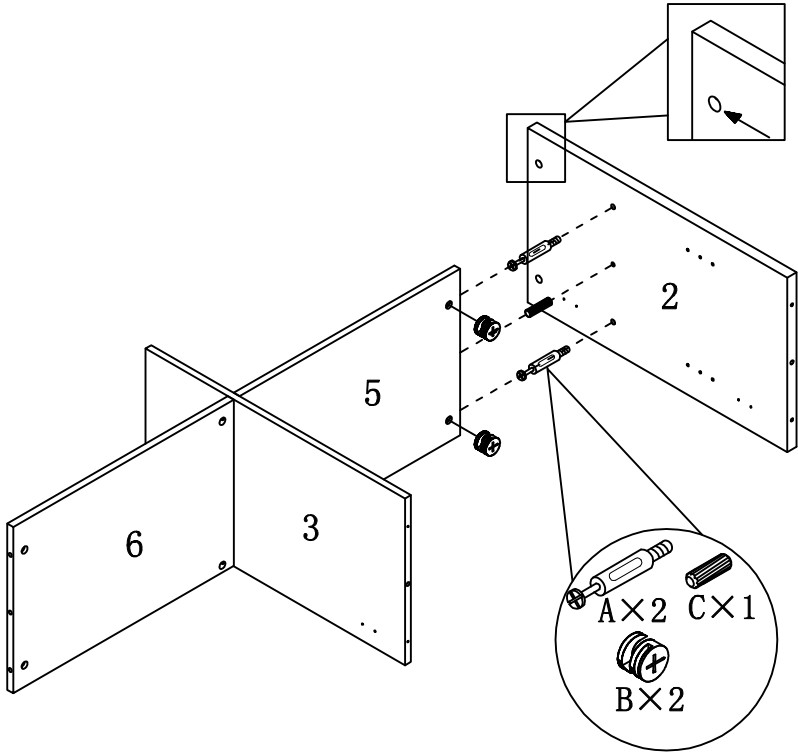
STEP 1

STEP 2



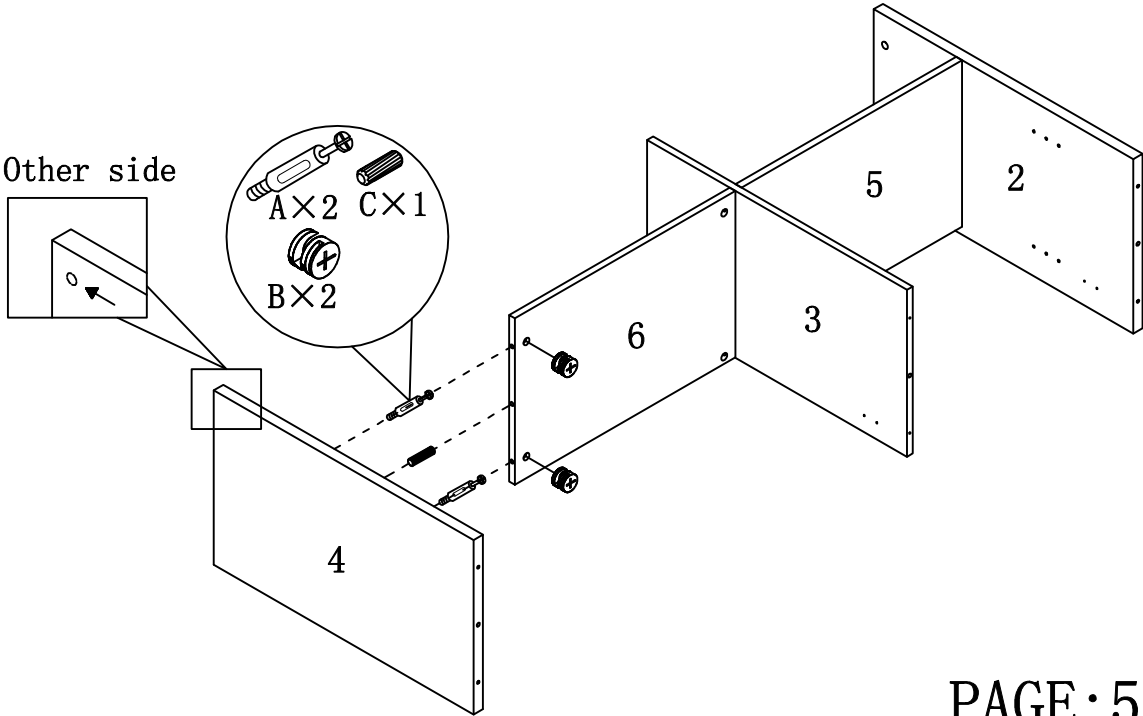
ASSEMBLY INSTRUCTION

ITEM#: 151370



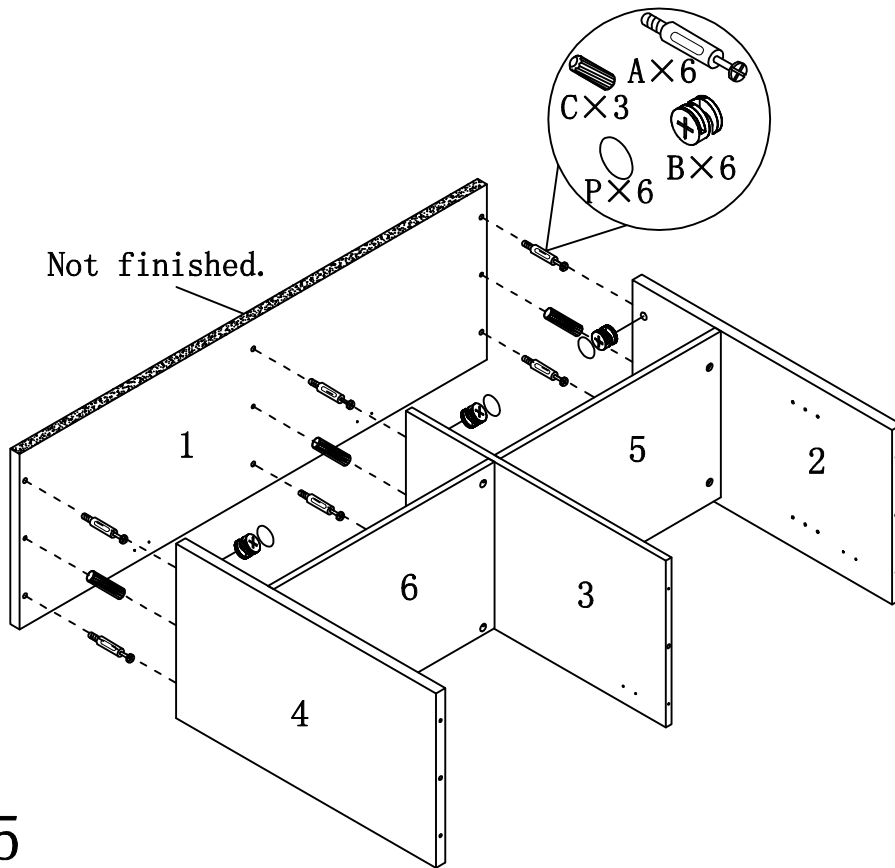
STEP 3

STEP 4



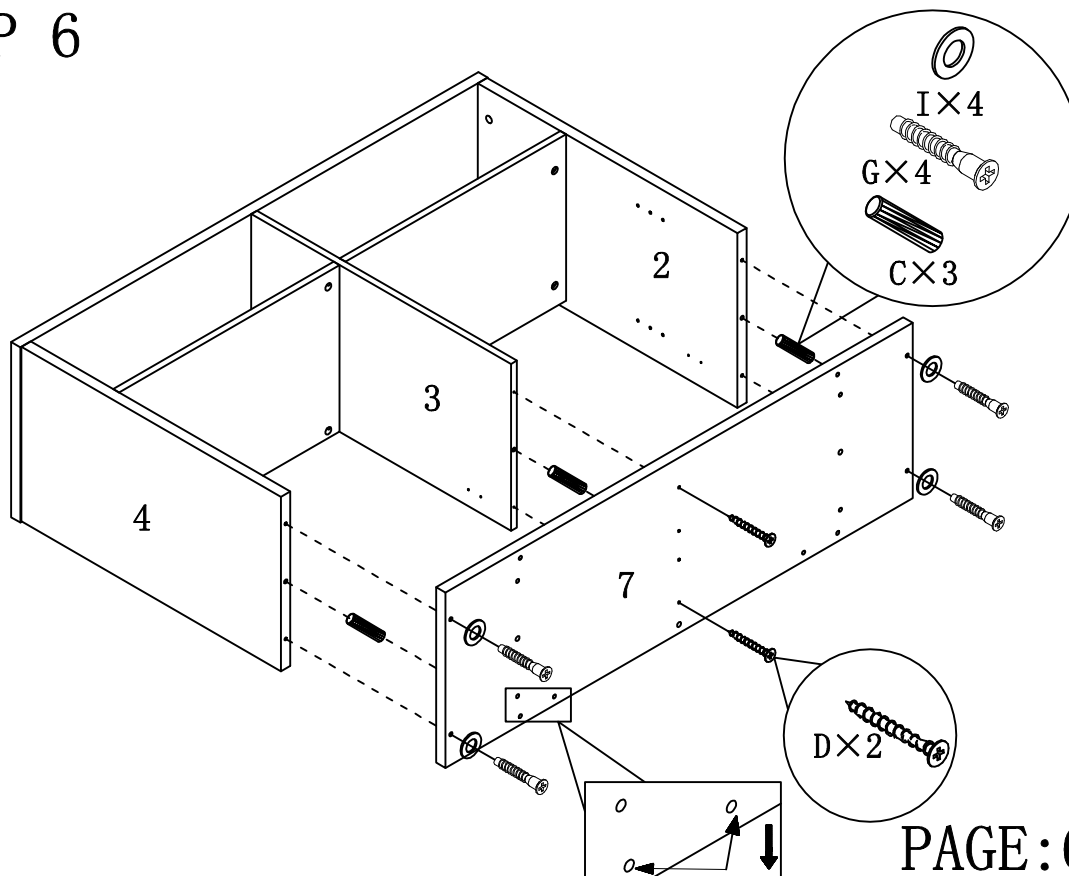
ASSEMBLY INSTRUCTION

ITEM#: 151370



STEP 5

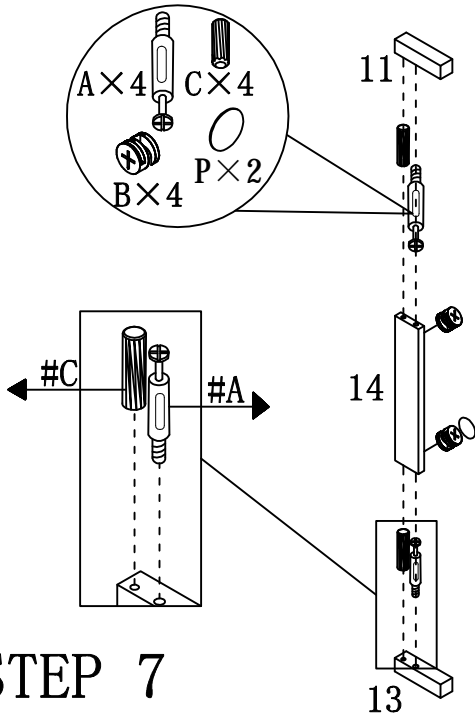
STEP 6



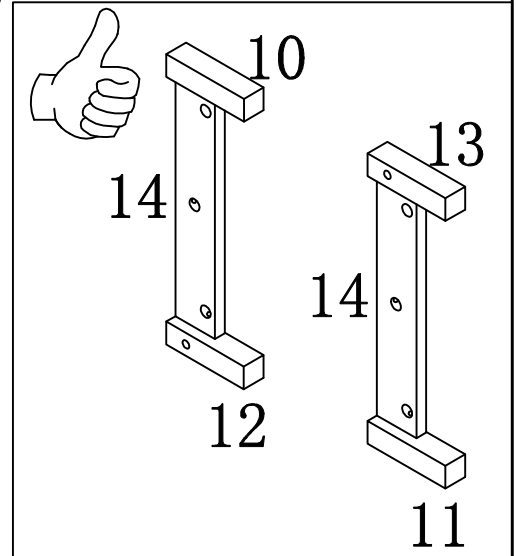
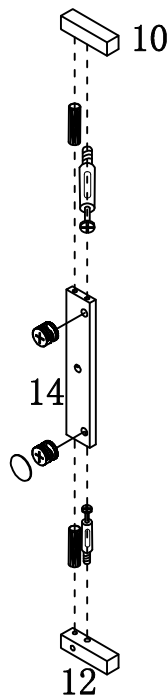
PAGE: 6 OF 12

ASSEMBLY INSTRUCTION

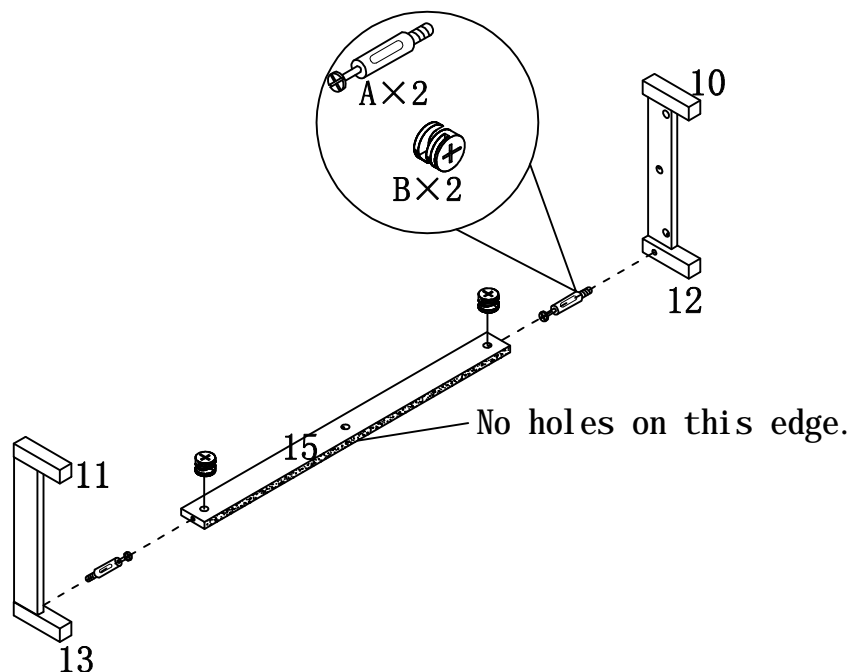
ITEM#: 151370



STEP 7

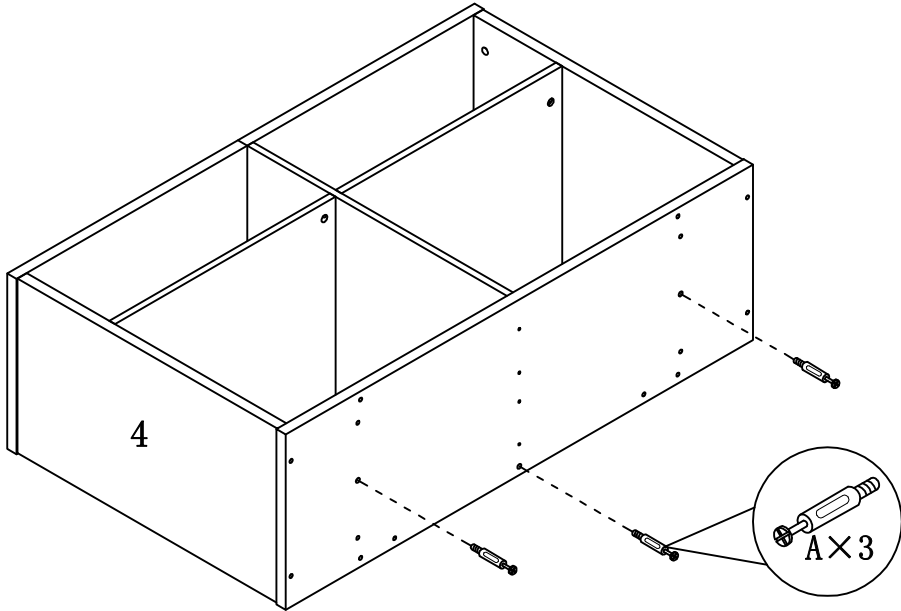


STEP 8



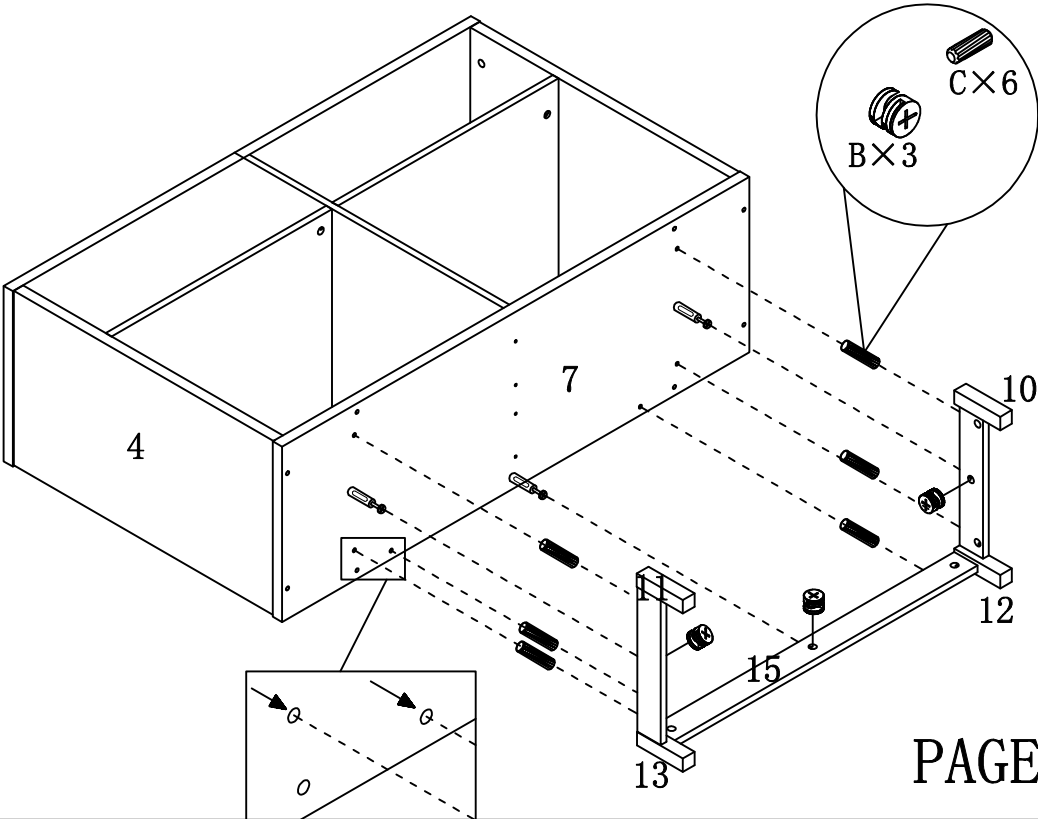
ASSEMBLY INSTRUCTION

ITEM#: 151370



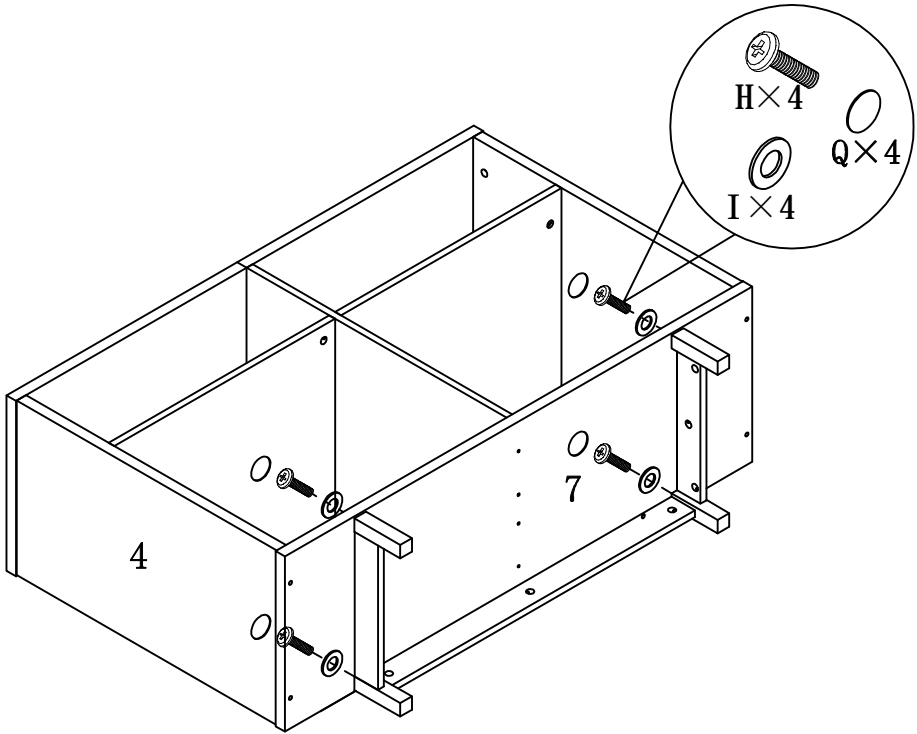
STEP 9

STEP 10



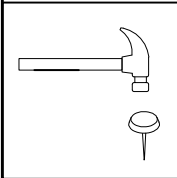
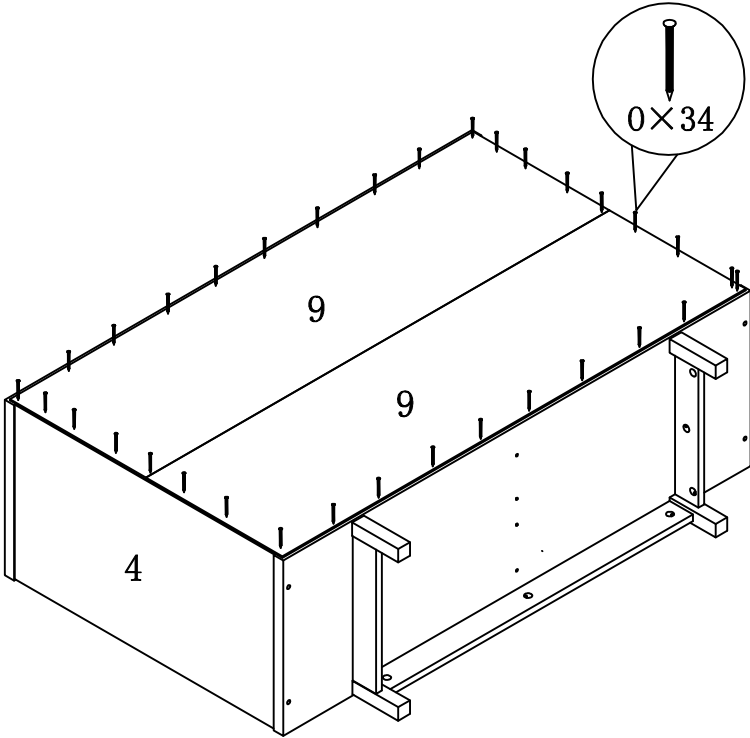
ASSEMBLY INSTRUCTION

ITEM#: 151370



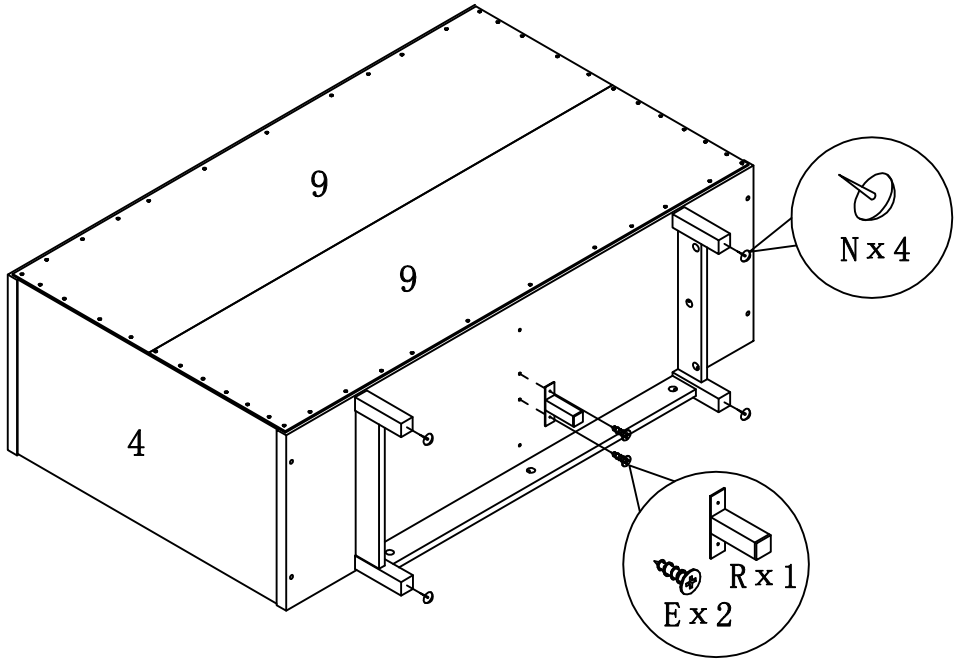
STEP 11

STEP 12



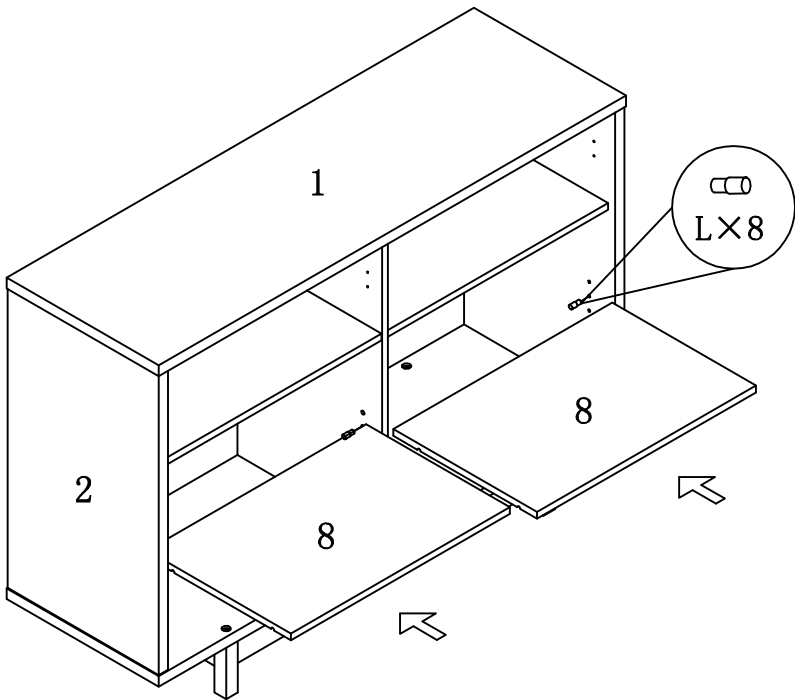
ASSEMBLY INSTRUCTION

ITEM#: 151370



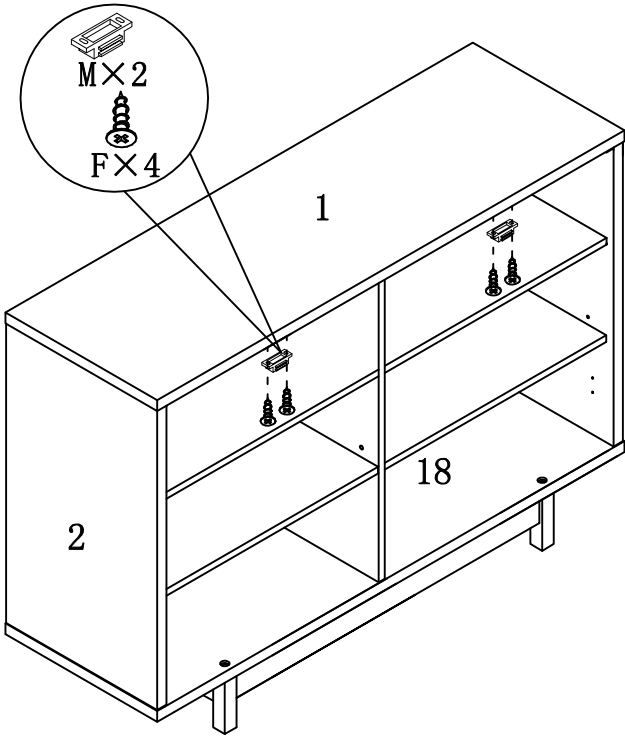
STEP 13

STEP 14



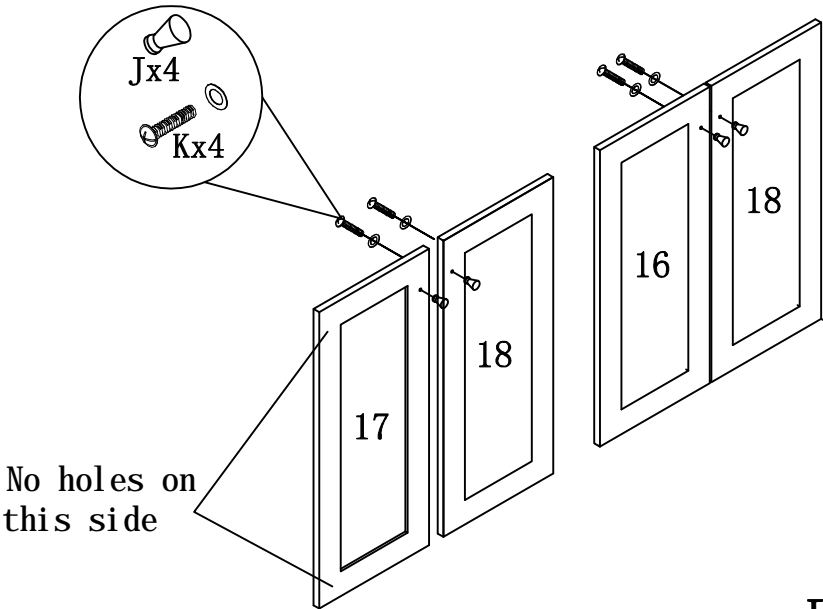
ASSEMBLY INSTRUCTION

ITEM#: 151370



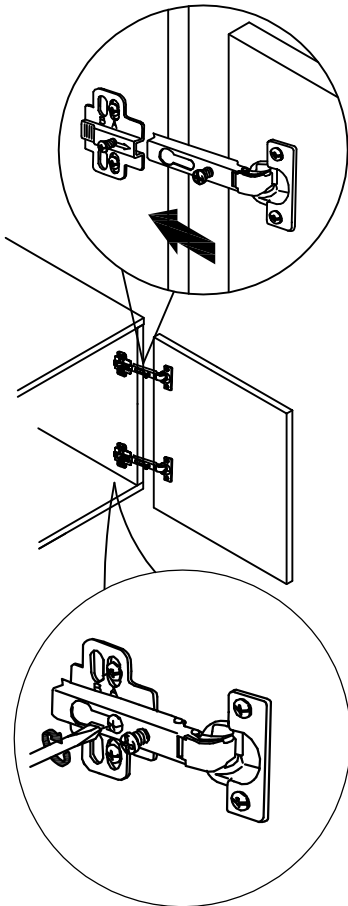
STEP 15

STEP 16

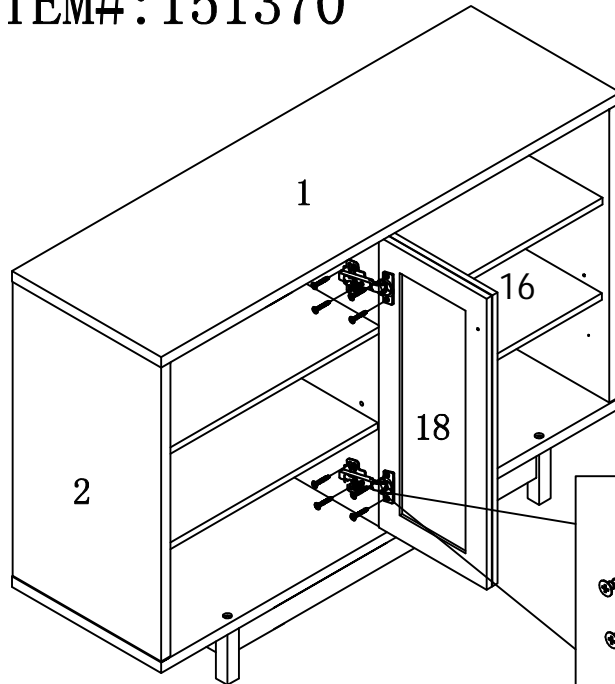


ASSEMBLY INSTRUCTION

ITEM#: 151370

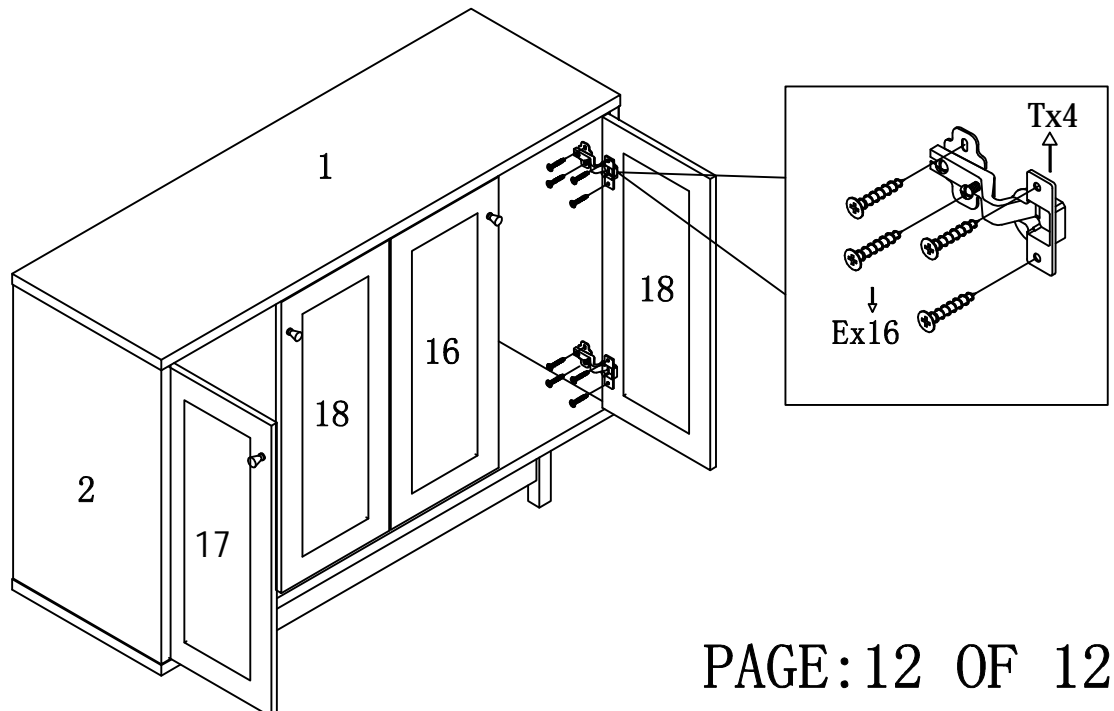
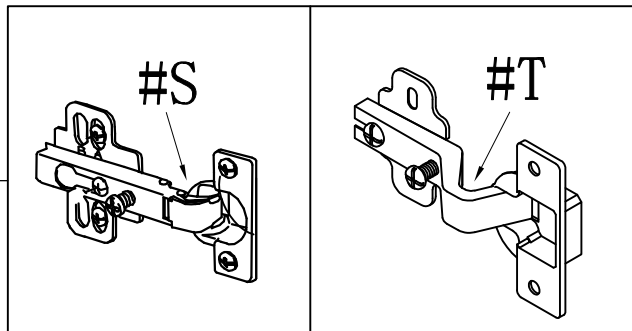


STEP 17



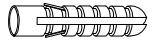
Tips: See last page

STEP 18

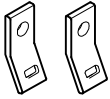


ANTI-TIPPING STRAP INSTRUCTION

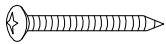
HARDWARE (INCLUDED) :



DRYWALL ANCHOR $\phi 8 \times 40$ X 1PC



METAL BRACKETS $12 \times 12 \times 1$ X 2PCS



DRYWALL SCREW $\phi 5 \times 40$ X 1PC

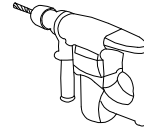


STRAP $197 \times 5 \times 1$ X 1PC



FLATHEAD SCREW $\phi 4 \times 25$ X 1PC

TOOLS NEEDED (NOT INCLUDED) :



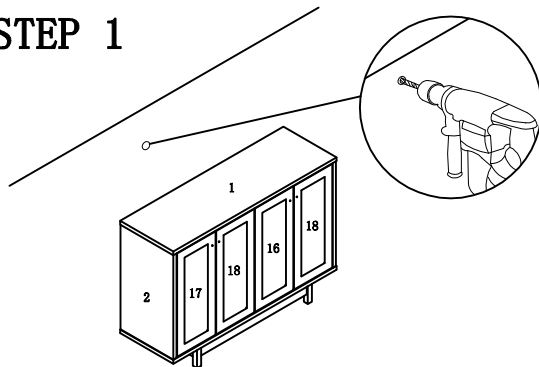
DRILL & DRILL BIT



LIGHT HAMMER

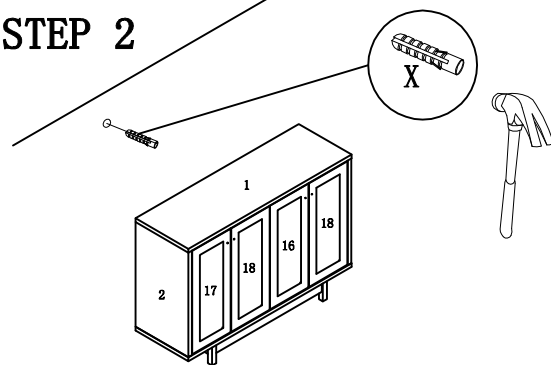
Note: Hardware included only compatible with standard drywalls.

STEP 1



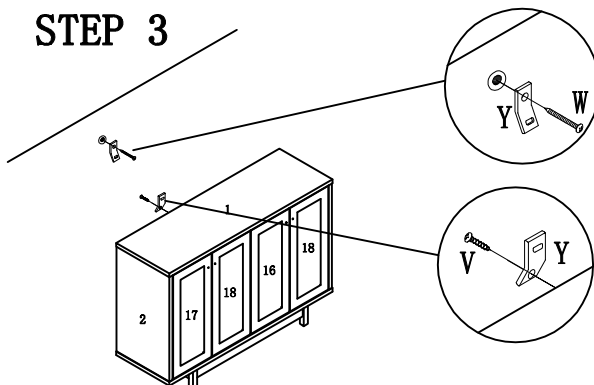
1. Find spot on wall 1" below top of item.
2. Using a drill bit slightly thinner than anchor, drill hole into drywall.

STEP 2



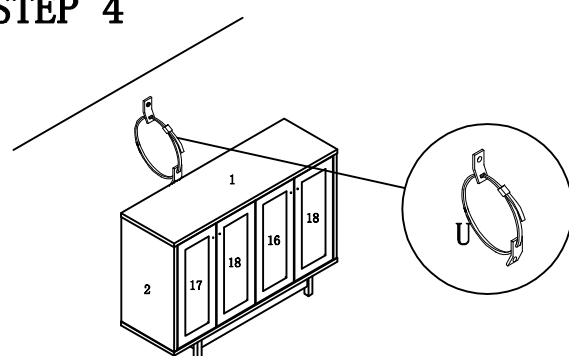
1. Use a light hammer to tap anchor into hole.
2. Anchor should fit snugly. If hole is too small, drill again to increase hole size. Do not force anchor into wall.

STEP 3



1. Insert drywall screw into metal bracket and into drywall anchor.
2. Insert flathead screw into second metal bracket and into back of item, along top edge.

STEP 4

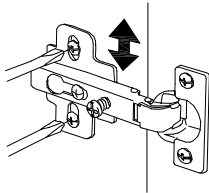


1. Insert strap thru bracket attached to wall, then thru bracket on item, and into head of strap.
 2. pull lightly til strap stops.
- Assembly is complete.

HOW TO ADJUST HINGES

Gradually adjust the screws and close the door to review adjustment each time.

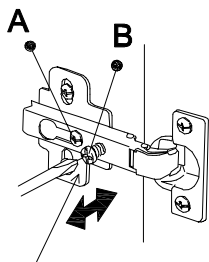
Fig.1



If door is too high or too low:

Loosen top and bottom screws, as shown in Fig.1, for all hinges on this door panel. Take care to support door. Adjust door up or down as necessary, hold in place, and tighten screws again.

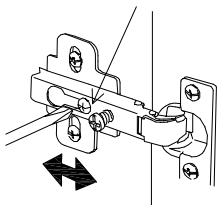
Fig.2



If doors have a gap in the middle or are hitting each other:

Loosen screw A and B, as shown in Fig.2, for all hinges on this door panel. Take care to support door. Adjust door to the left or right as necessary, hold in place and tighten screw A, then B. If the door is not hanging straight, adjust the top and bottom hinges separately by tightening/loosening screw B, to correct the alignment of that corner. Turn screw B clockwise to move door toward frame. Turn screw B counterclockwise to move door away from frame.

Fig.3



If door is too close or far from frame:

Loosen screw, as shown in Fig.3, for all hinges on this door panel. Take care to support door. Adjust door towards or away from frame as necessary, hold in place and tighten screws again.