

ASSEMBLY INSTRUCTION

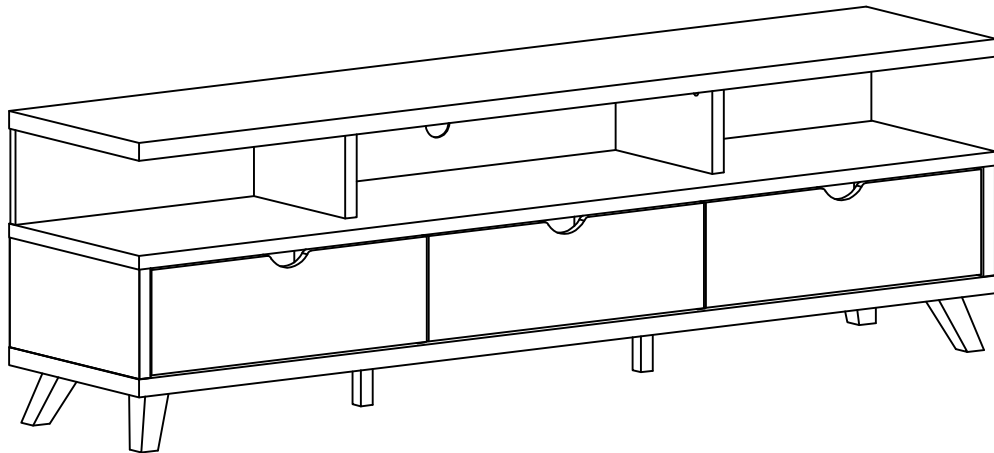
PLEASE READ BEFORE ASSEMBLING!

Tip #1: Make sure you've taken all the pieces and hardware out of its packaging before discarding the box.

Tip #2: Using page 2 and/or page 3 of instruction manual make sure all pieces and hardware are accounted for.

Tip #3: Read manual before assembling, it helps!

ITEM#: 151280-WH 151280-DGY 151280-BLK
192486

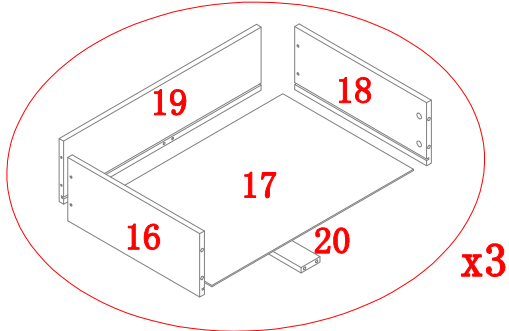
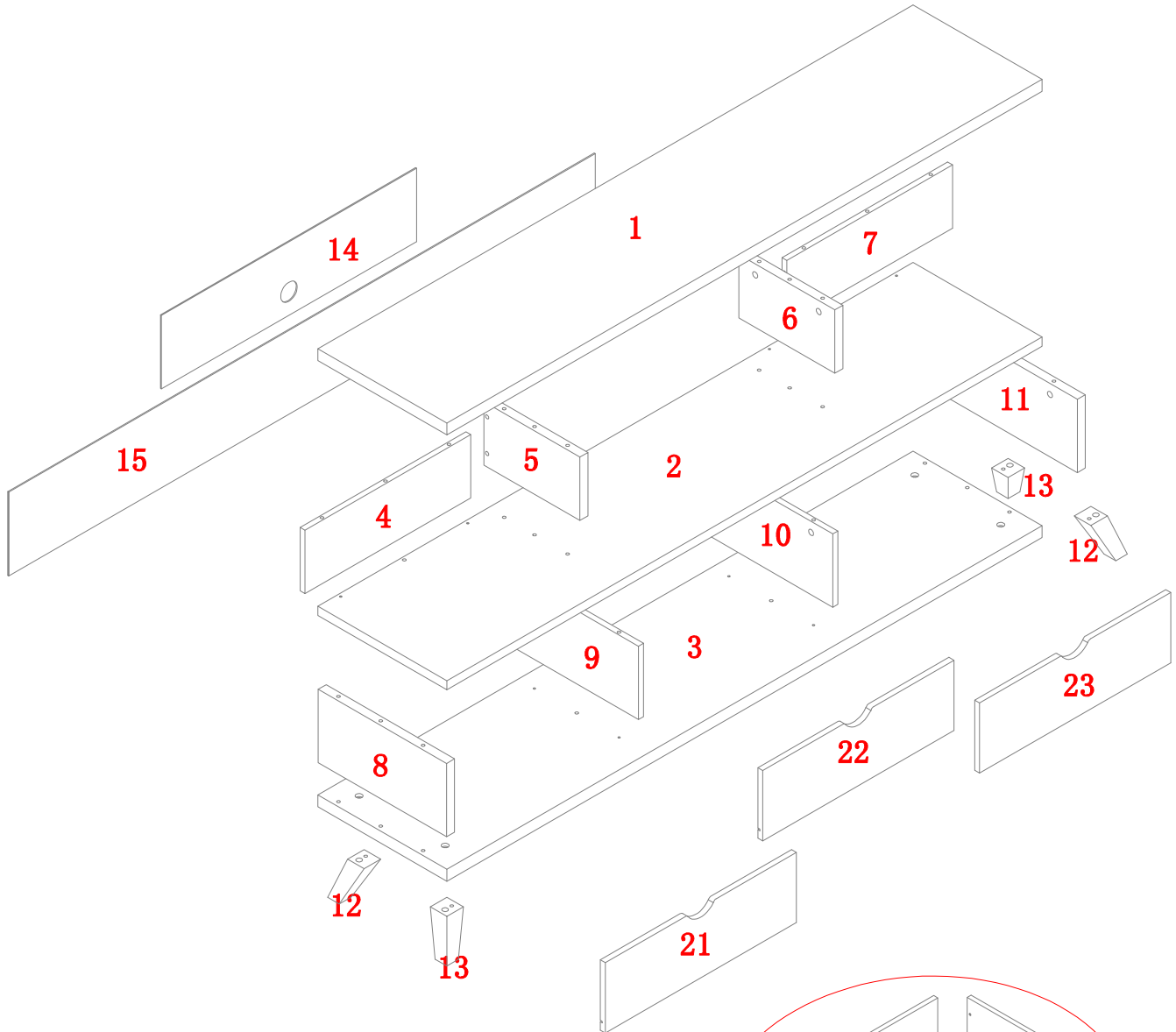


Need some help?
Scan here for
assembly video.



PARTS IDENTIFICATION

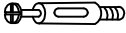








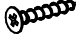

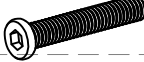



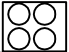


ITEM#: 151280-WH 151280-DGY 151280-BLK
192486



(1)	1pc	(10)	1pc	(19)	3pcs
(2)	1pc	(11)	1pc	(20)	3pcs
(3)	1pc	(12)	2pcs	(21)	1pc
(4)	1pc	(13)	2pcs	(22)	1pc
(5)	1pc	(14)	1pc	(23)	1pc
(6)	1pc	(15)	1pc		
(7)	1pc	(16)	3pcs		
(8)	1pc	(17)	3pcs		
(9)	1pc	(18)	3pcs		

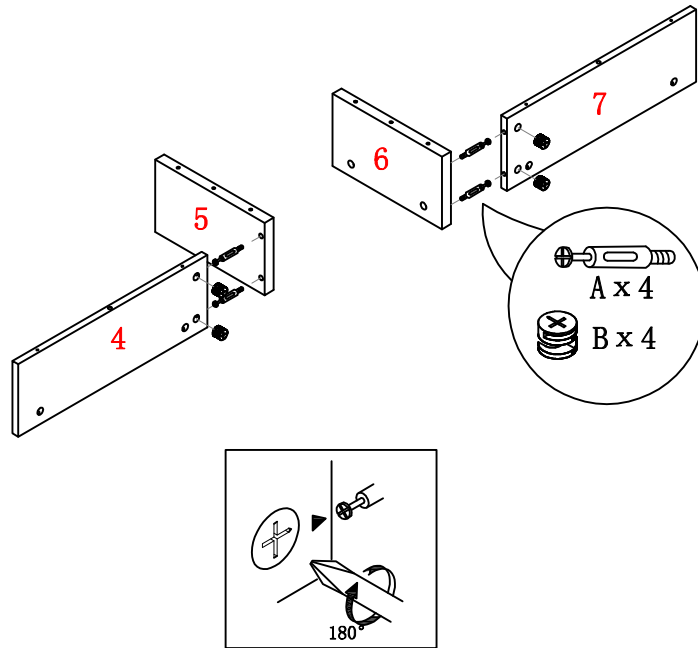
HARDWARE IDENTIFICATION

ITEM#: 151280-WH 151280-DGY 151280-BLK 192486

A		L29	20pcs
B		Ø15	20pcs
C		L20	12pcs
D		Ø12	12pcs
E		Ø8x25	20pcs
F		Ø6x30	6pcs
G		Ø7x48	8pcs
H		Ø8xØ16x2	12pcs
I		M6x12	4pcs
J		Ø4x30	18pcs
K		Ø4x40	8pcs
L		M8x40	4pcs
M		M5	1pc
N			56pcs
O		Ø16	4pcs
P		Ø20	4pcs
Q		Glue: For securing please apply to wood dowel first before inserting into panel	1pc
R		80x25x102H	2pcs

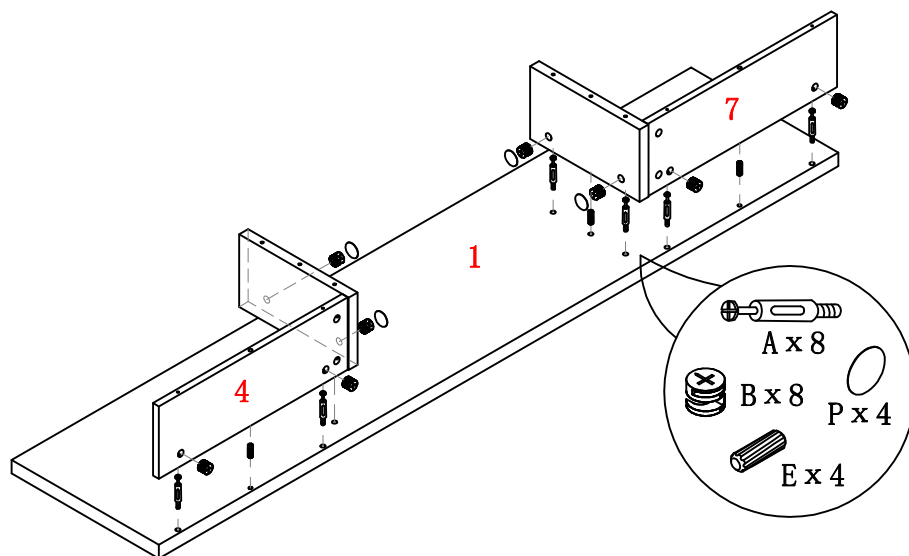
ASSEMBLY INSTRUCTION

ITEM#: 151280-WH 151280-DGY 151280-BLK
192486



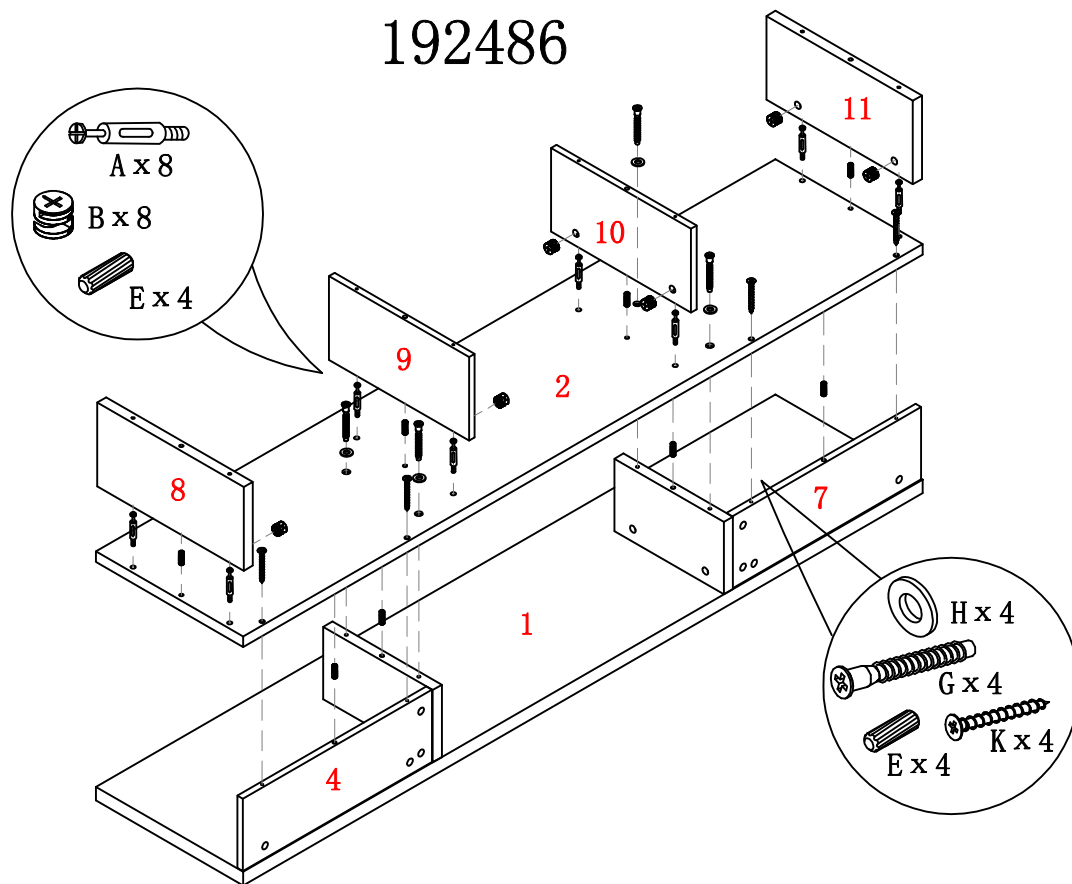
STEP 1

STEP 2



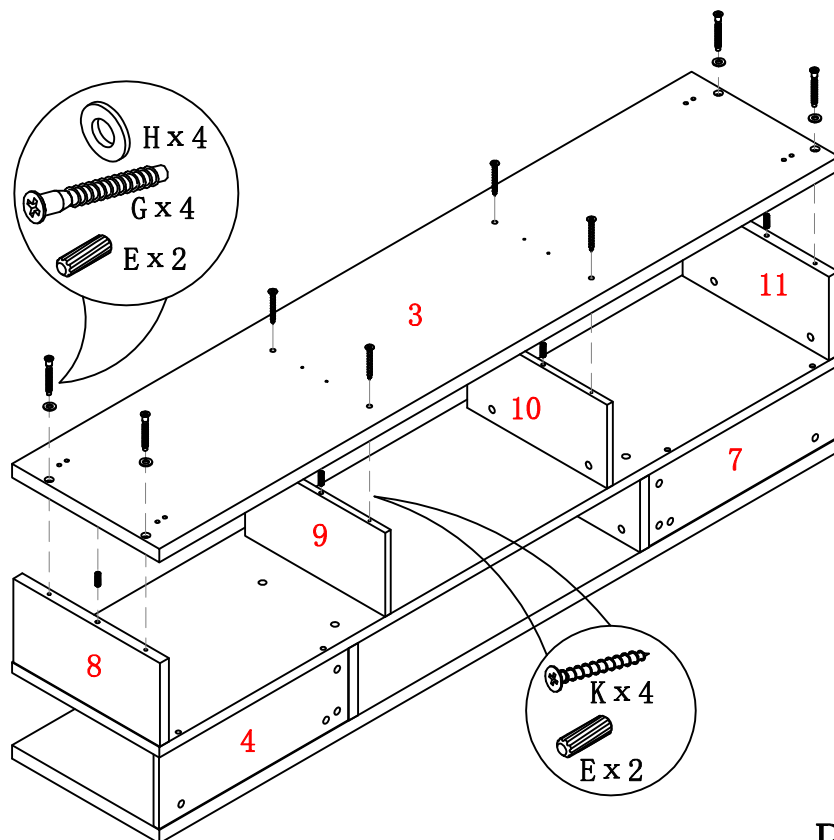
ASSEMBLY INSTRUCTION

ITEM#: 151280-WH 151280-DGY 151280-BLK
192486



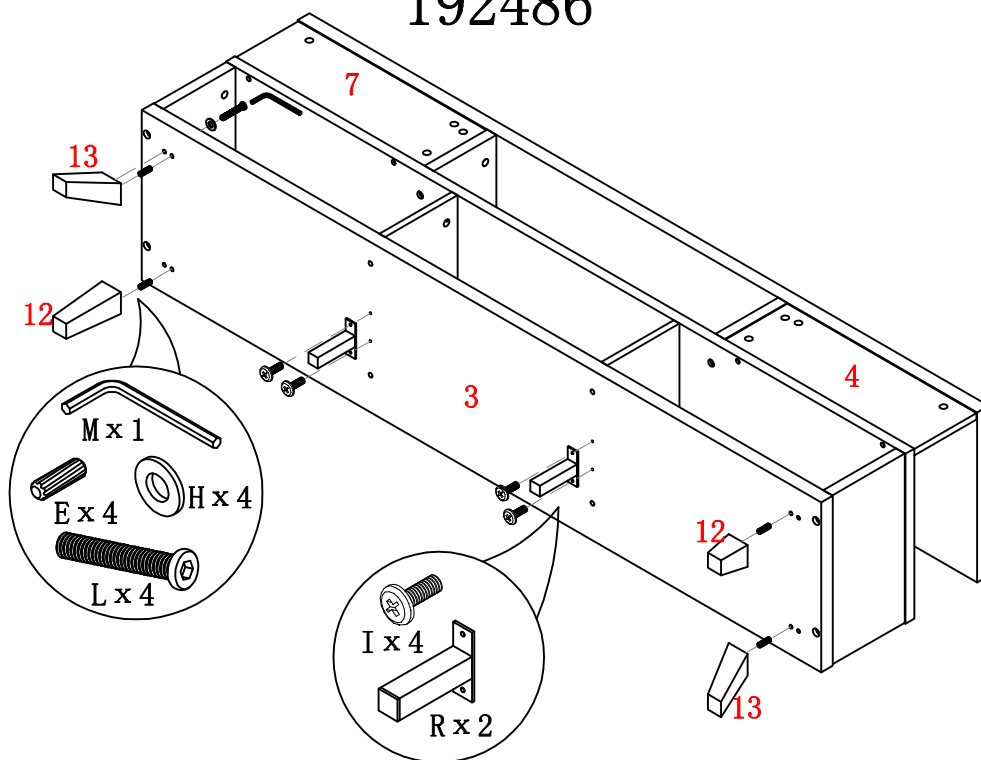
STEP 3

STEP 4



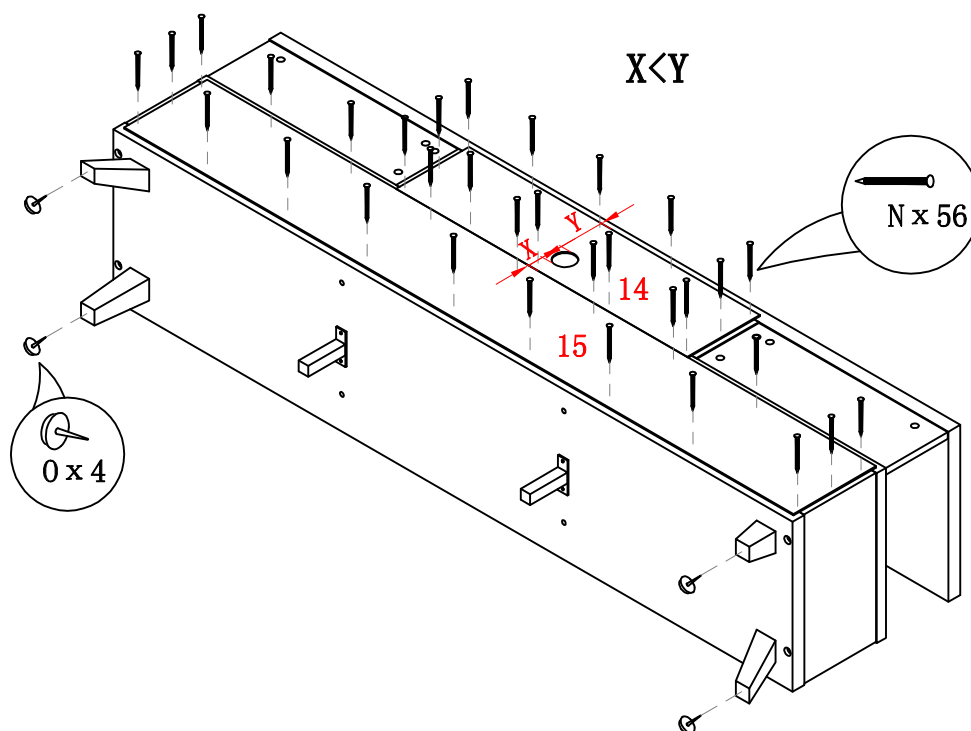
ASSEMBLY INSTRUCTION

ITEM#: 151280-WH 151280-DGY 151280-BLK
192486



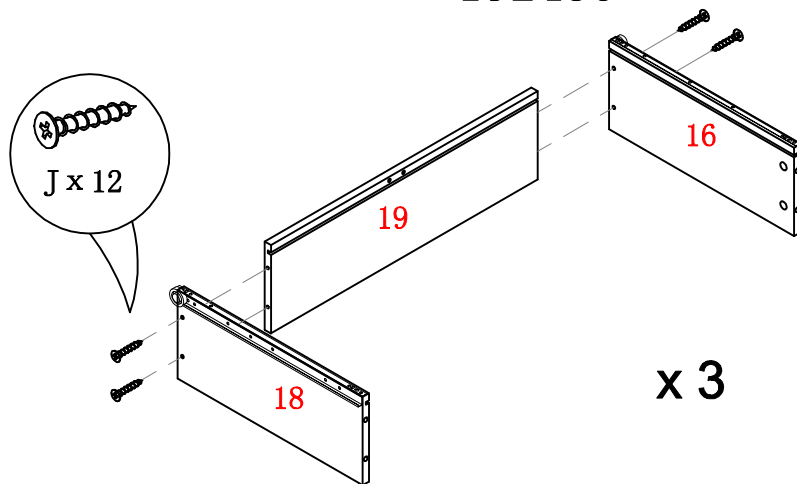
STEP 5

STEP 6

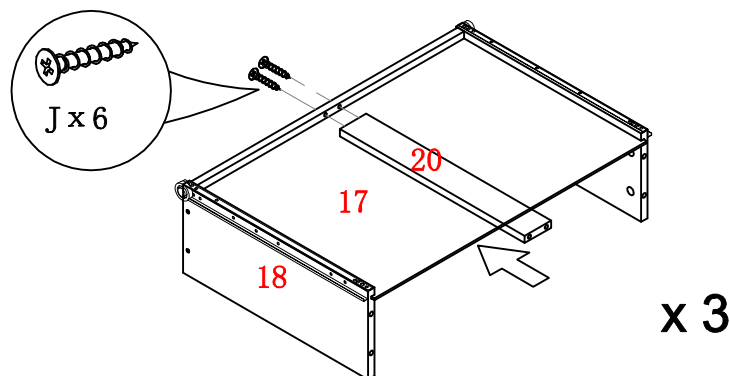


ASSEMBLY INSTRUCTION

ITEM#: 151280-WH 151280-DGY 151280-BLK
192486

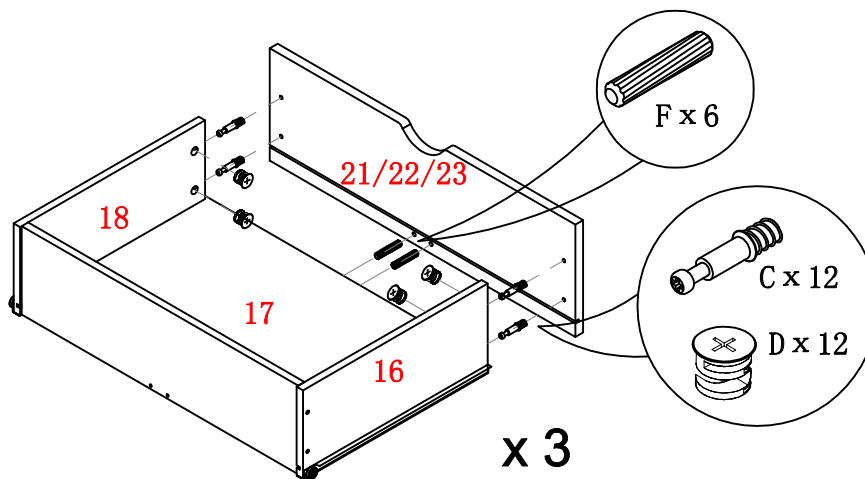


STEP 7



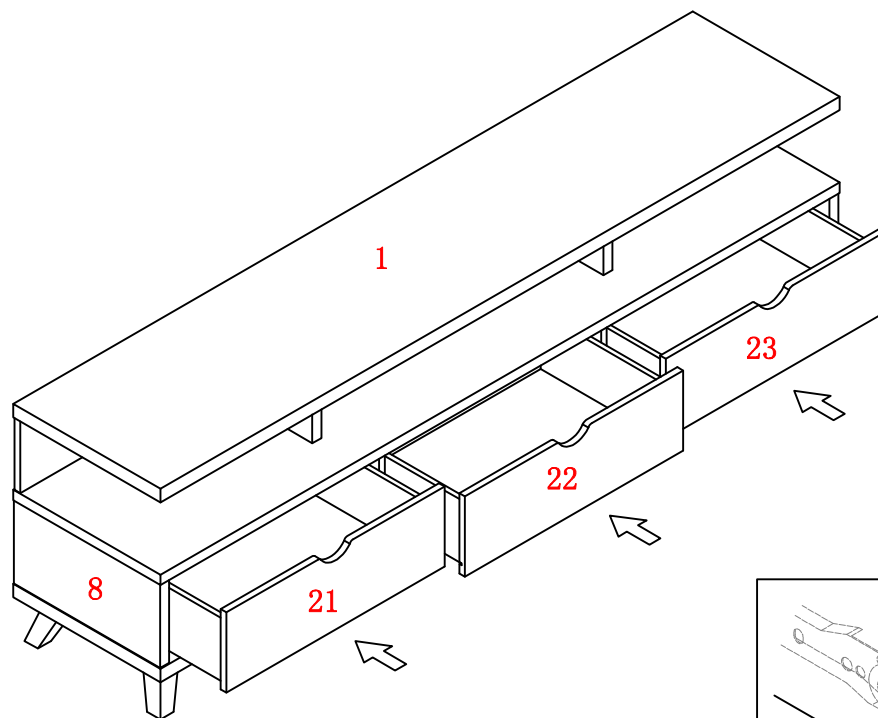
STEP 8

STEP 9



ASSEMBLY INSTRUCTION

ITEM#: 151280-WH 151280-DGY 151280-BLK
192486



STEP 10

STEP 11

