

ASSEMBLY INSTRUCTION

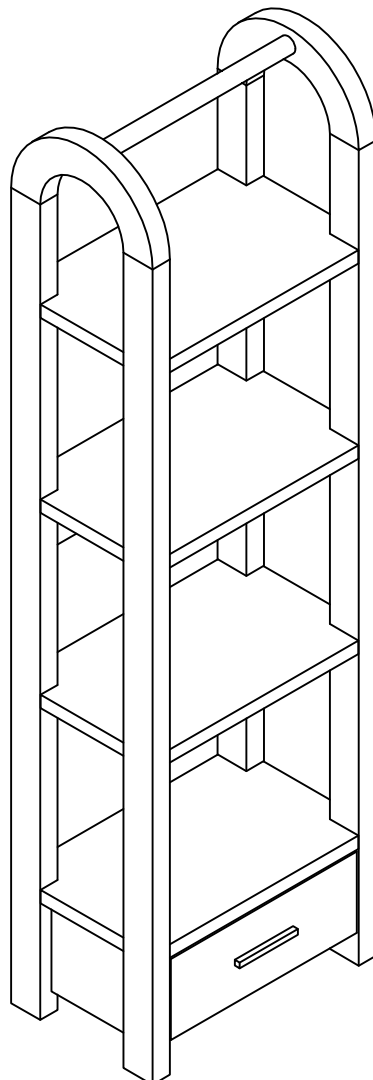
PLEASE READ BEFORE ASSEMBLING!

Tip #1: Make sure you've taken all the pieces and hardware out of its packaging before discarding the box.

Tip #2: Using page 2 and/or page 3 of instruction manual make sure all pieces and hardware are accounted for.

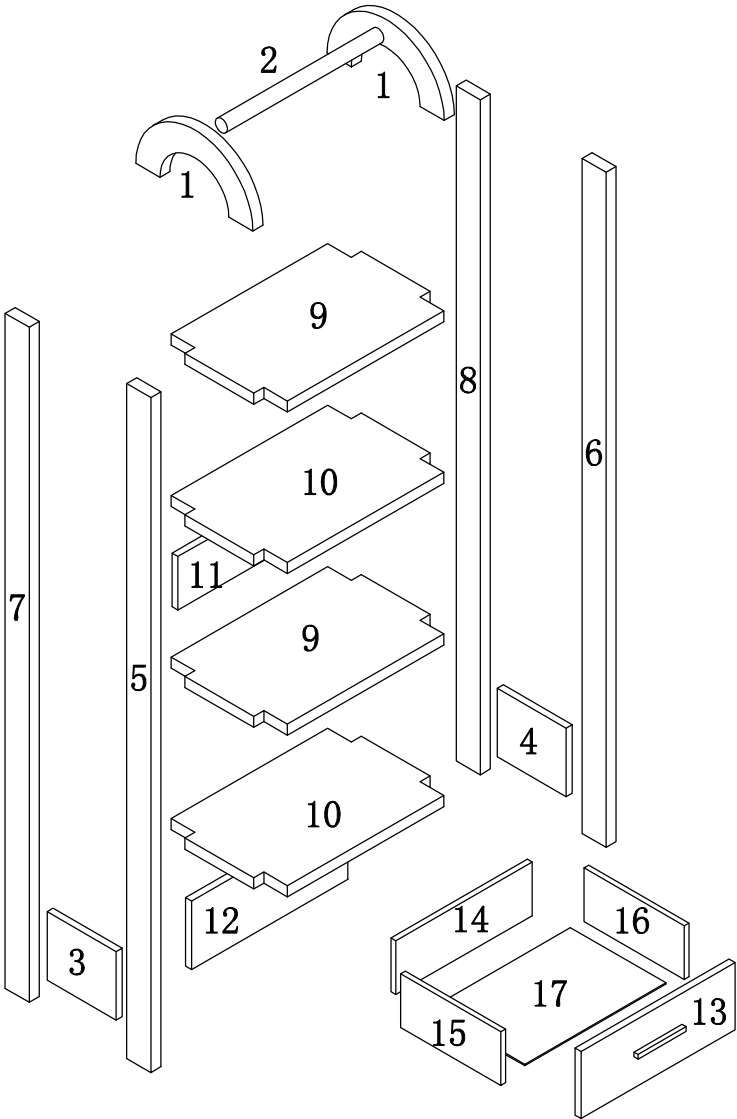
Tip #3: Read manual before assembling, it helps!

ITEM#: 14905



PARTS IDENTIFICATION

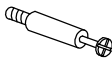

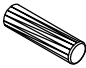



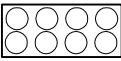
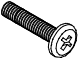
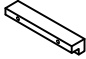



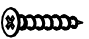
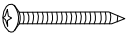
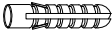
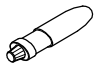
ITEM#: 14905



(1)	2pcs	(9)	2pcs	(17)	1pc
(2)	1pc	(10)	2pcs		
(3)	1pc	(11)	1pc		
(4)	1pc	(12)	1pc		
(5)	1pc	(13)	1pc		
(6)	1pc	(14)	1pc		
(7)	1pc	(15)	1pc		
(8)	1pc	(16)	1pc		

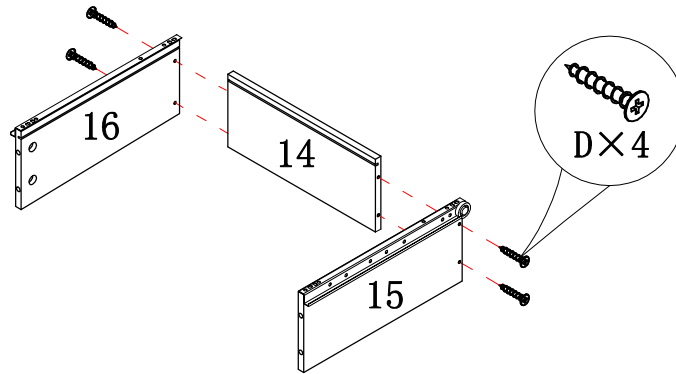
HARDWARE IDENTIFICATION

ITEM#: 14905

A		L29	44pcs
B		ø15	44pcs
C		ø8×25	2pcs
D		ø4×30	4pcs
E		L20	4pcs
F		ø12	4pcs
G		ø20	16pcs
H		M6×30	2pcs
I		96#	1pc
J		ø4×22	2pcs
K		ø3.5×12	4pcs
L			1pc
M		ø4×25	1pc
N		ø5×40	1pc
O		ø8×40	1pc
P		Glue: For securing please apply to wood dowel first before inserting into panel	1pc

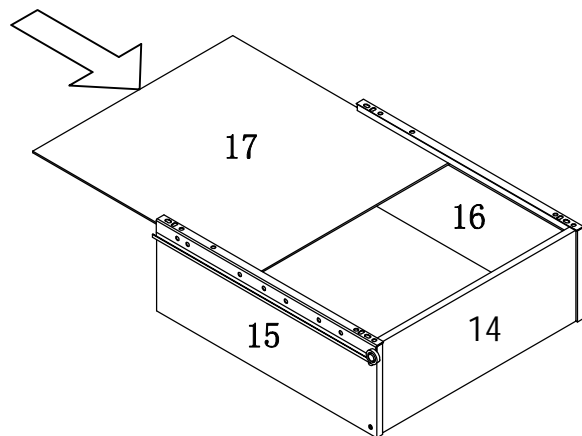
ASSEMBLY INSTRUCTION

ITEM#: 14905

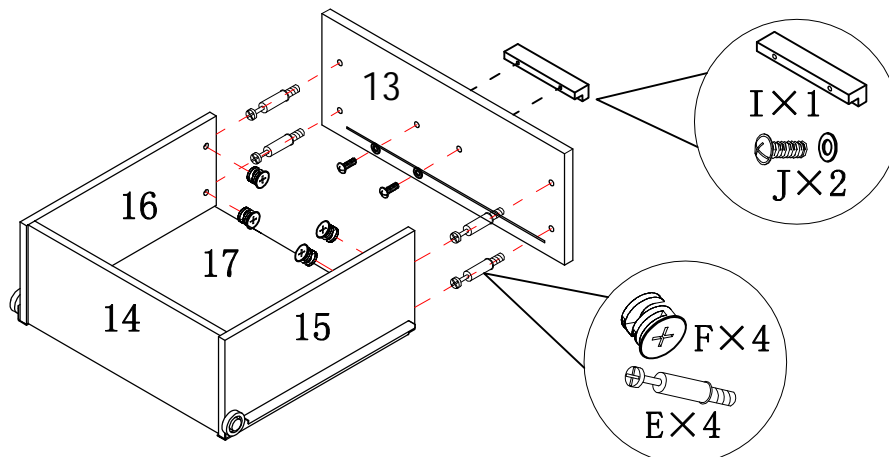


STEP 1

STEP 2

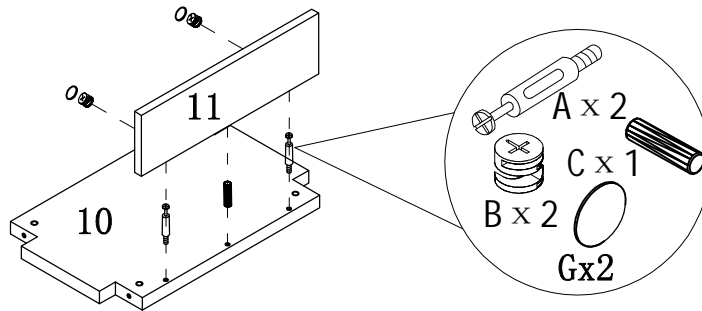


STEP 3



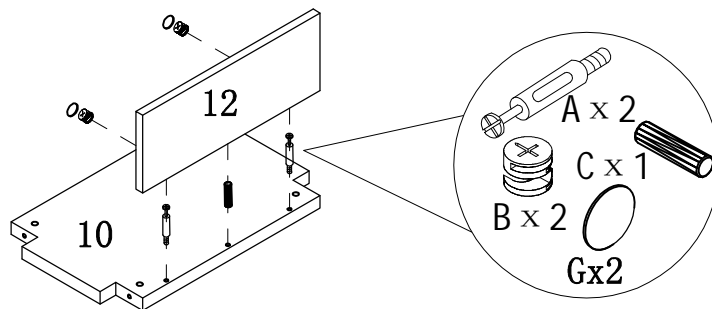
ASSEMBLY INSTRUCTION

ITEM#: 14905

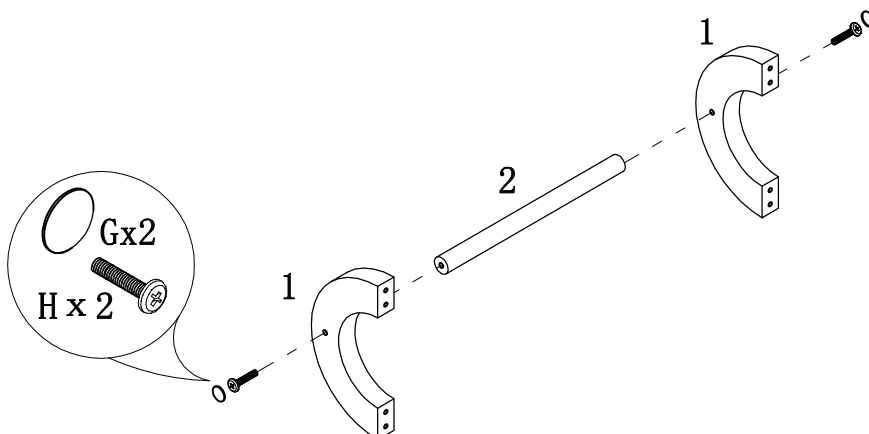


STEP4

STEP5

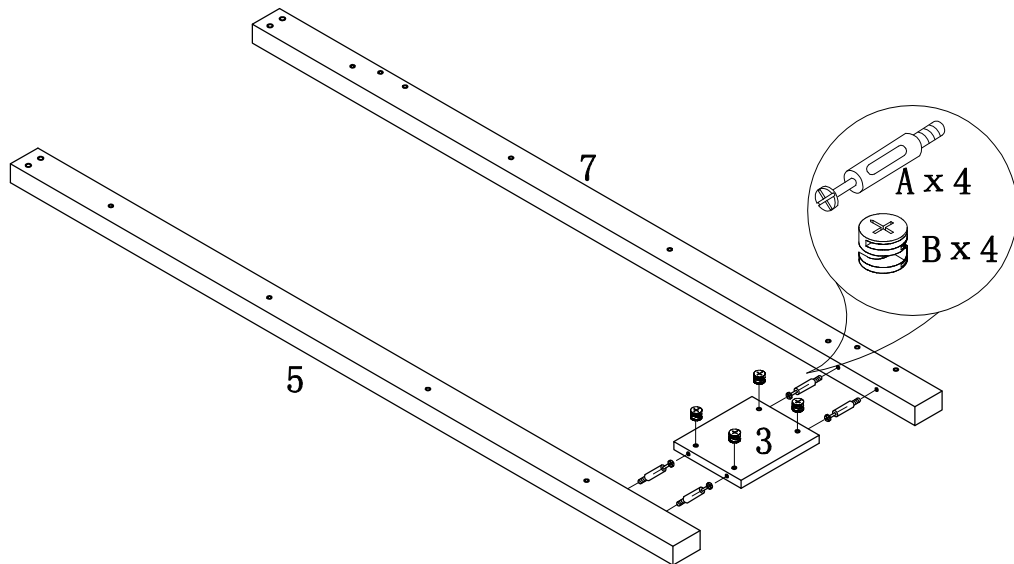


STEP6



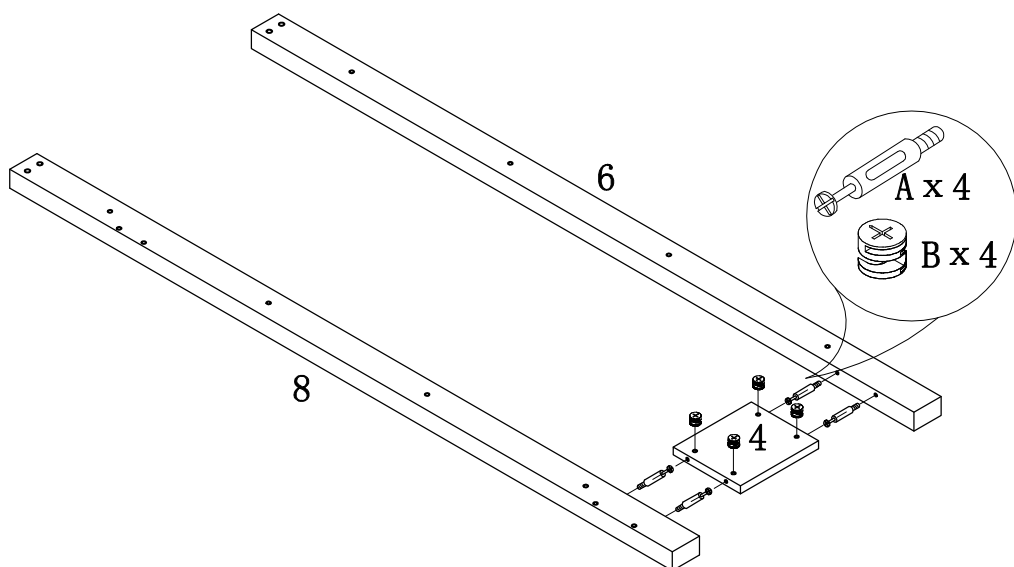
ASSEMBLY INSTRUCTION

ITEM#: 14905



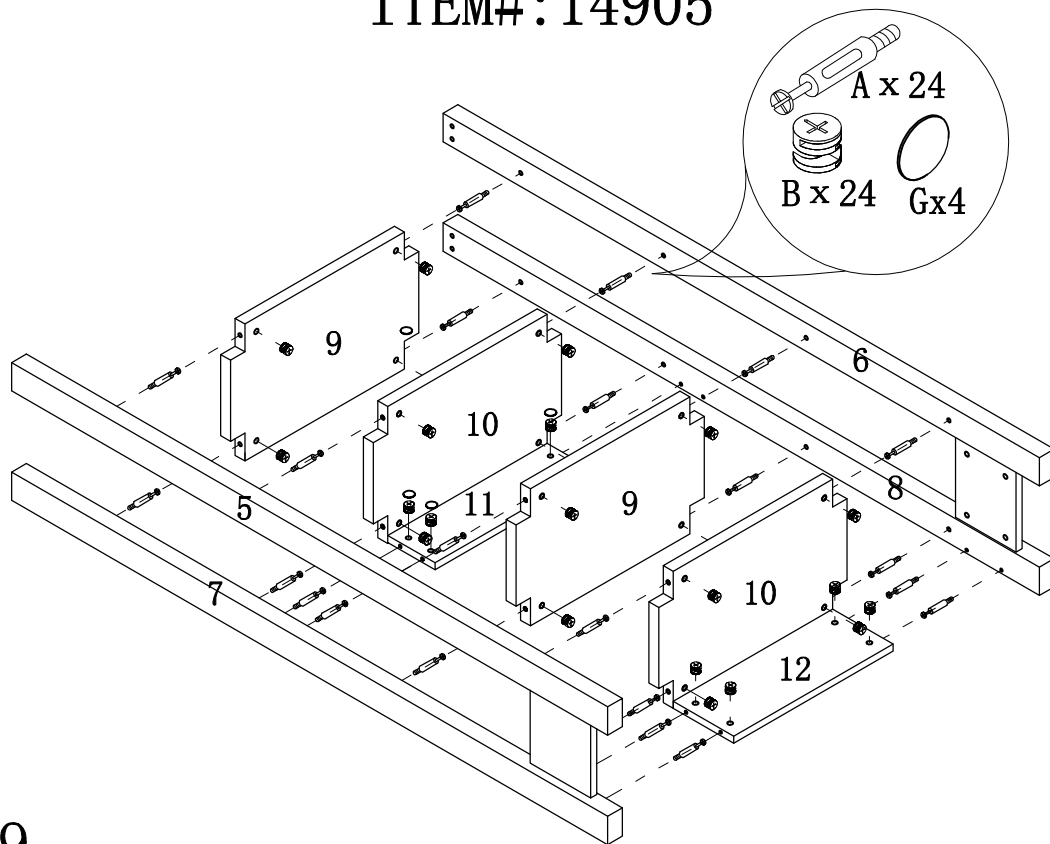
STEP 7

STEP 8



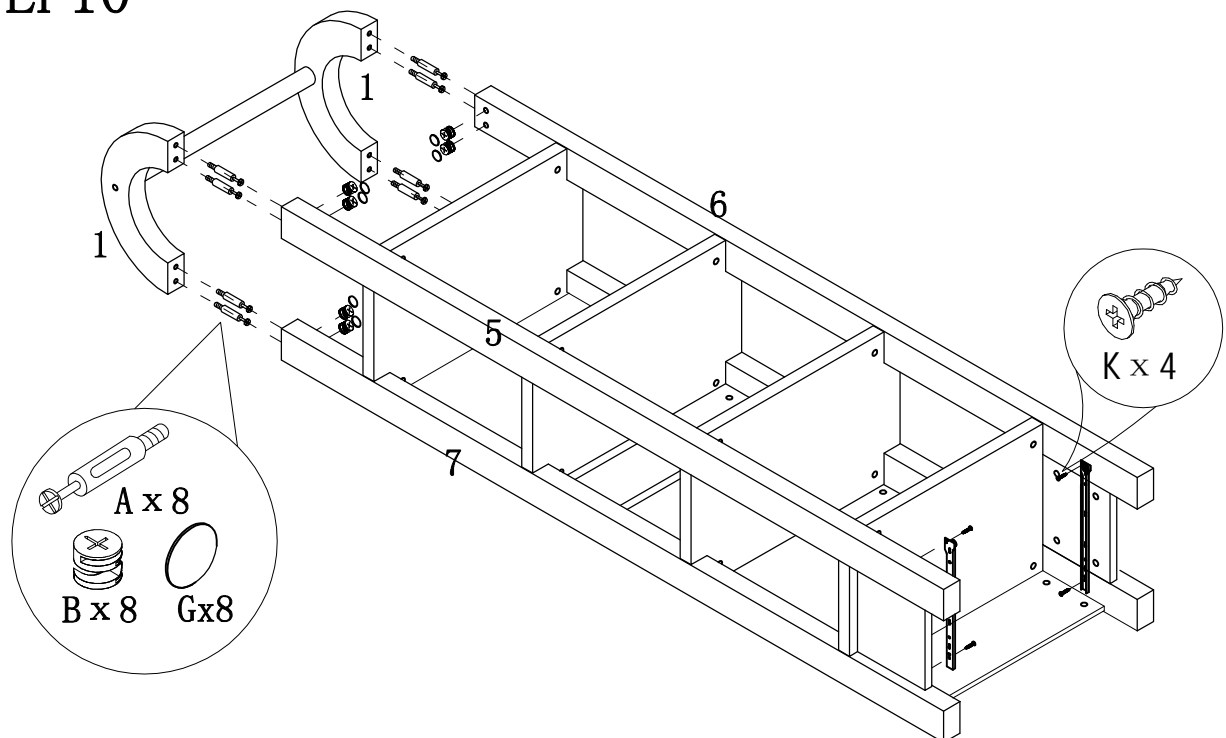
ASSEMBLY INSTRUCTION

ITEM#: 14905



STEP9

STEP10



ASSEMBLY INSTRUCTION

ITEM#: 14905

