

ASSEMBLY INSTRUCTION

PLEASE READ BEFORE ASSEMBLING!

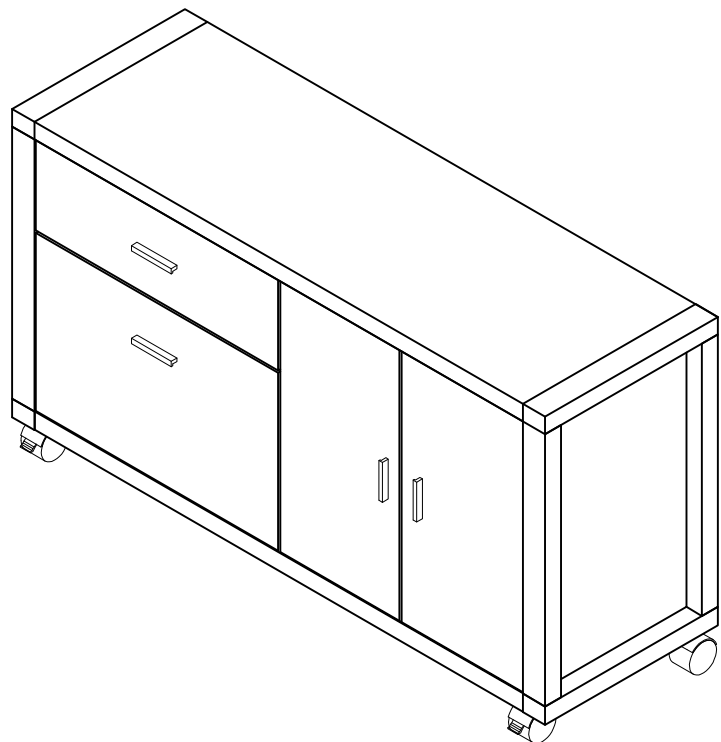
Tip #1: Make sure you've taken all the pieces and hardware out of its packaging before discarding the box.

Tip #2: Using page 2 and/or page 3 of instruction manual make sure all pieces and hardware are accounted for.

Tip #3: Read manual before assembling, it helps!

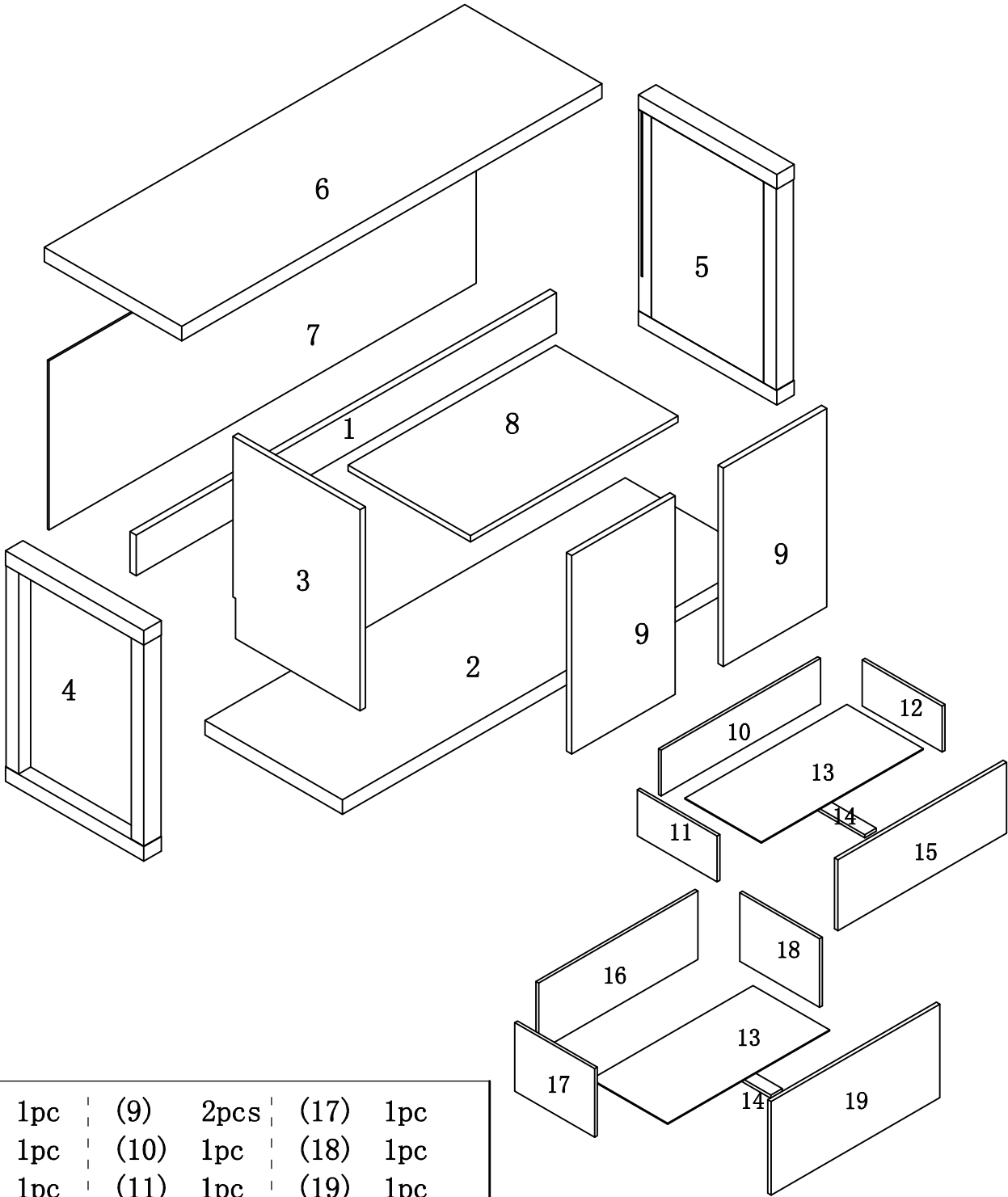
ITEM#: 13728 192484

Need some help?
Scan here for
assembly video.



PARTS IDENTIFICATION

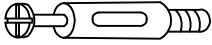


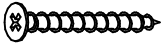




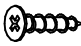
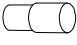
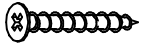
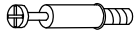


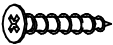
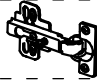





ITEM#: 13728 192484



(1)	1pc	(9)	2pcs	(17)	1pc
(2)	1pc	(10)	1pc	(18)	1pc
(3)	1pc	(11)	1pc	(19)	1pc
(4)	1pc	(12)	1pc		
(5)	1pc	(13)	2pcs		
(6)	1pc	(14)	2pcs		
(7)	1pc	(15)	1pc		
(8)	1pc	(16)	1pc		

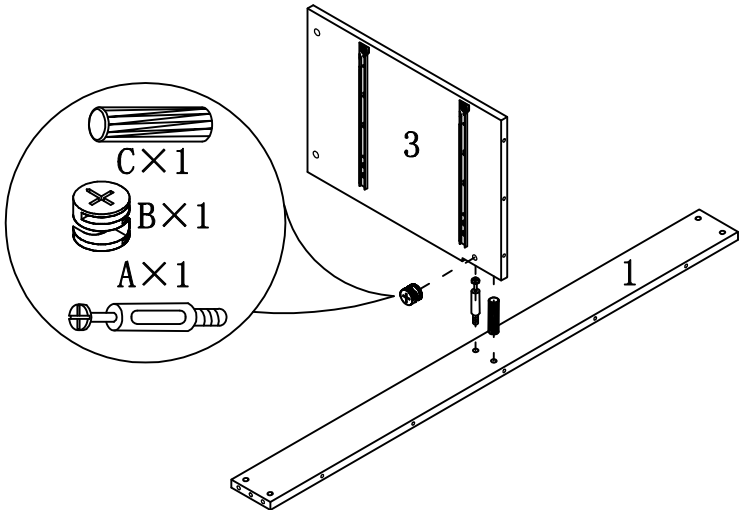
HARDWARE IDENTIFICATION

ITEM#: 13728 192484

A		L29	15pcs
B		ø15	15pcs
C		ø8 × 25	11pcs
D		ø4 × 40	5pcs
E		ø4 × 22	8pcs
F		96#	4pcs
G		H55	2pcs
H		H55	3pcs
I		ø4 × 16	36pcs
J		ø5	4pcs
K		ø4 × 30	10pcs
L		L=20	8pcs
M		ø12	8pcs
N		ø6 × 30	6pcs
O		ø4 × 25	4pcs
P		301B	2pcs
Q		301C	2pcs
R		ø5 × 349	2pcs
S			1pcs
T		ø3 × 16	2pcs
U		Glue: For securing please apply to wood dowel first before inserting into panel	1pc

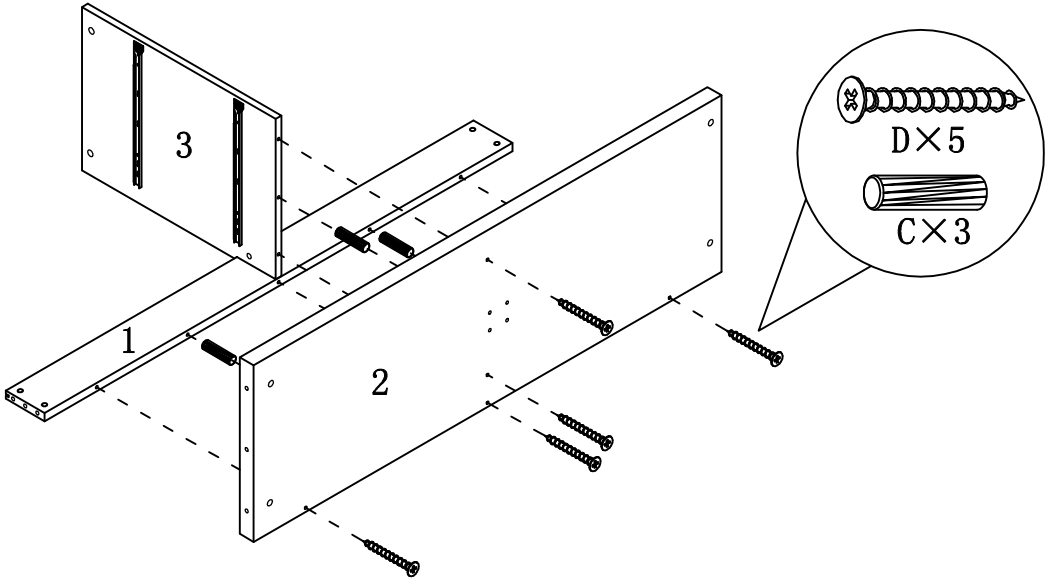
ASSEMBLY INSTRUCTION

ITEM#: 13728 192484

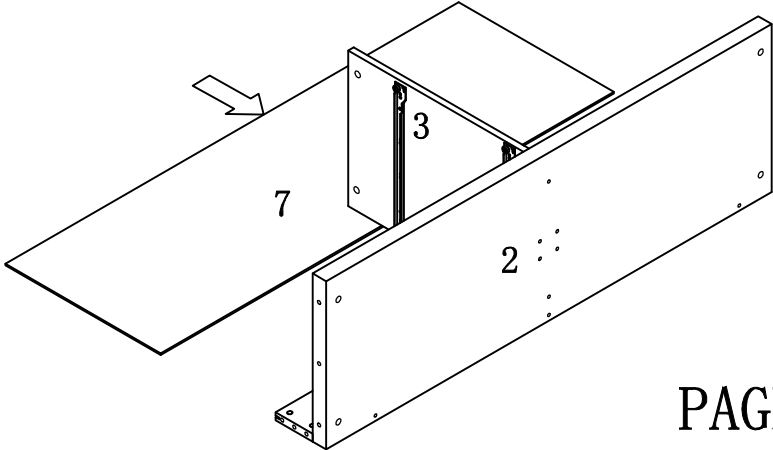


STEP 1

STEP 2

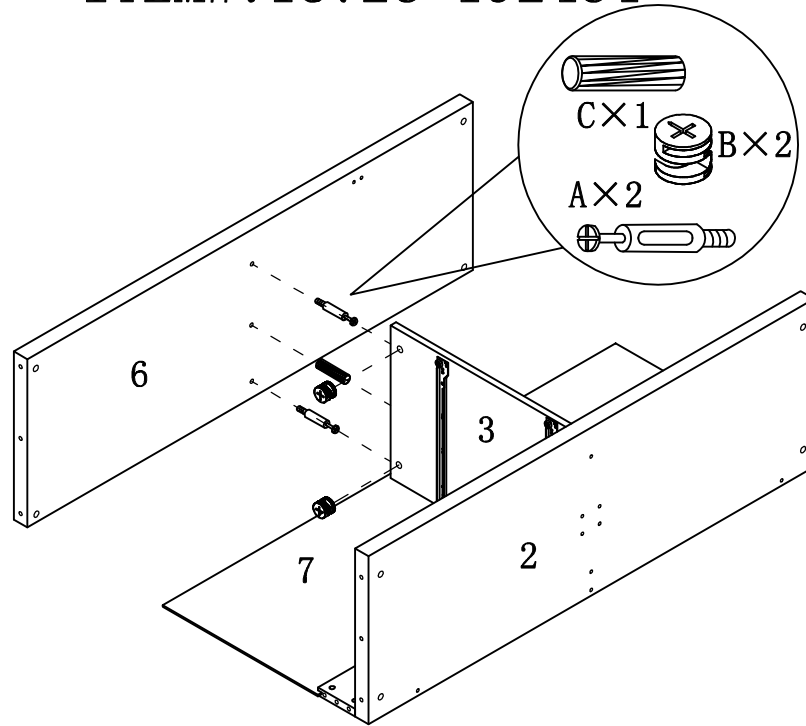


STEP 3



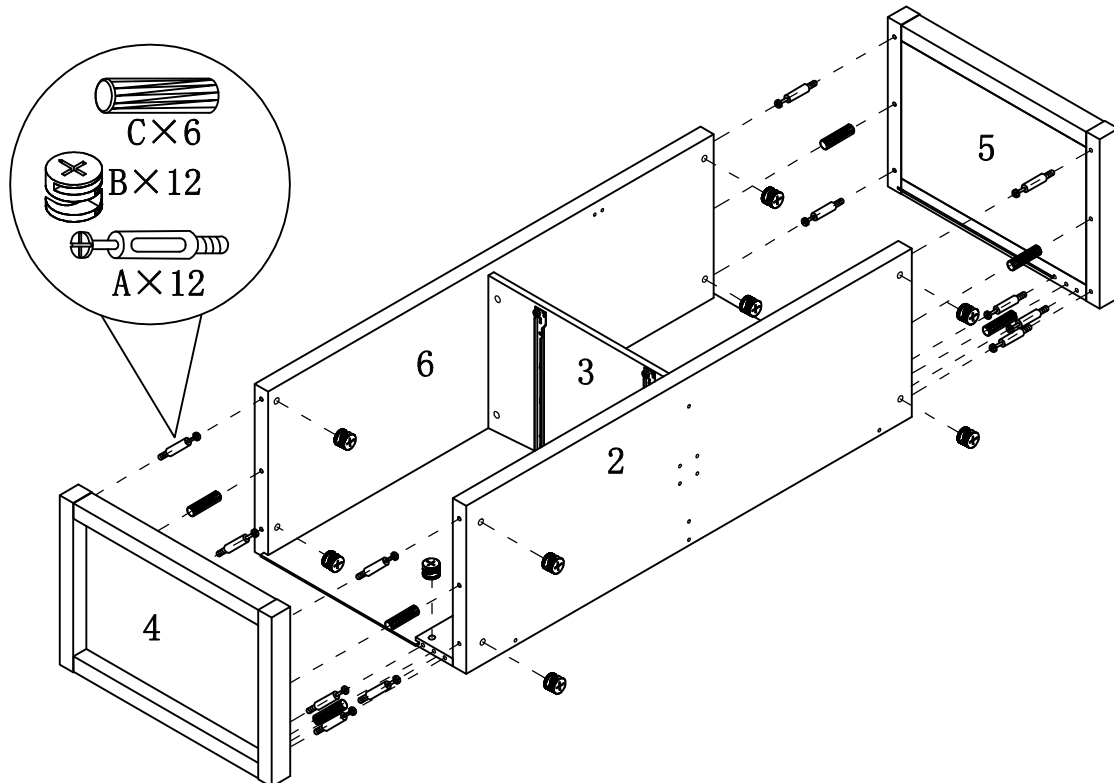
ASSEMBLY INSTRUCTION

ITEM#:13728 192484



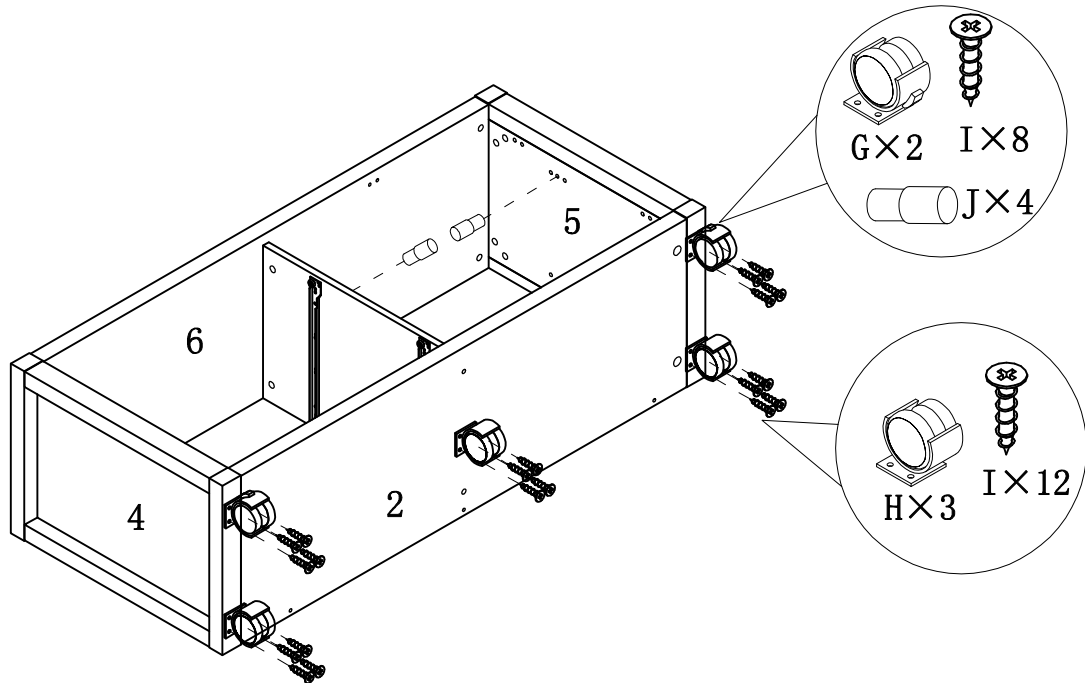
STEP 4

STEP 5



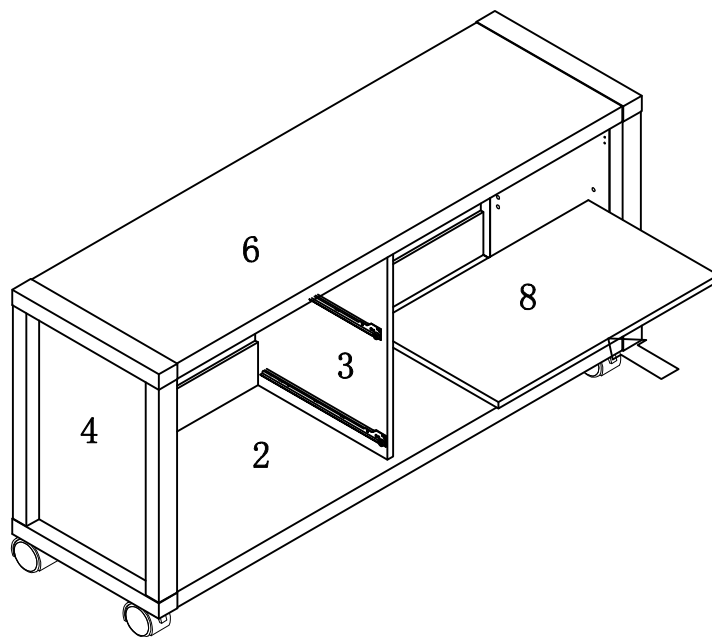
ASSEMBLY INSTRUCTION

ITEM#: 13728 192484



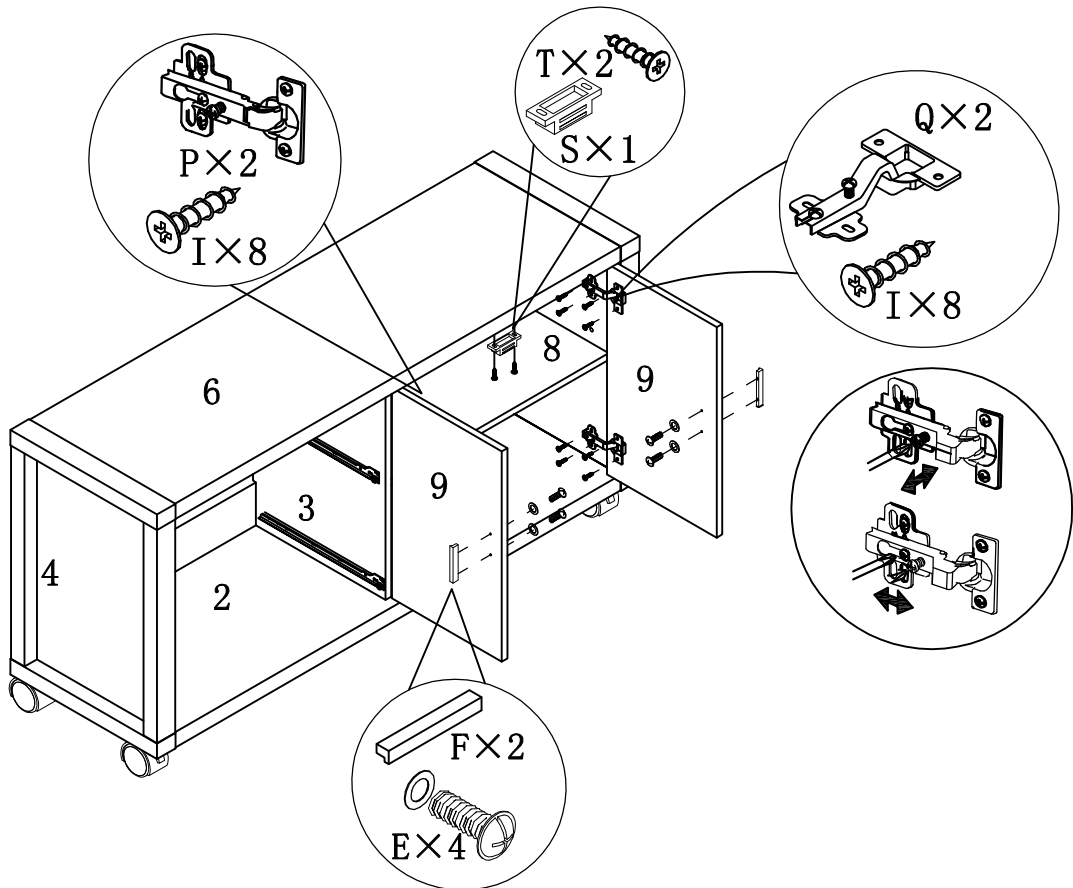
STEP 6

STEP 7



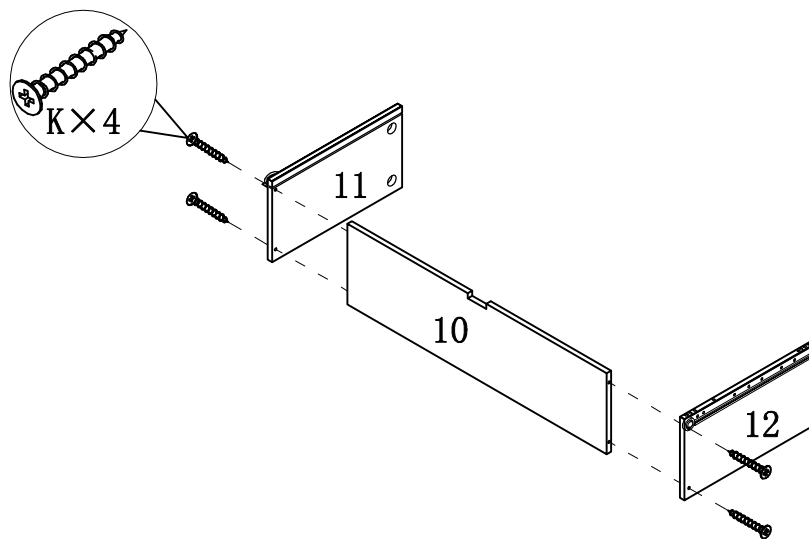
ASSEMBLY INSTRUCTION

ITEM#: 13728 192484



STEP 8

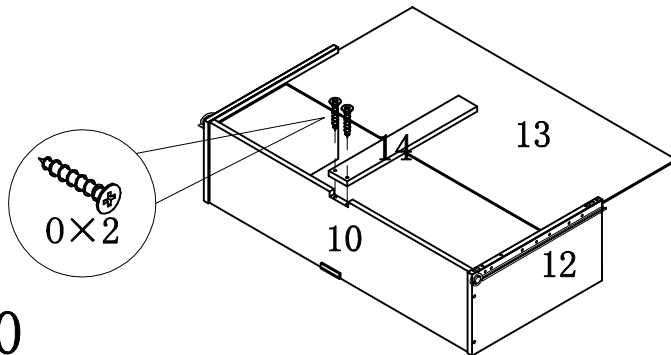
STEP 9



PAGE: 7 OF 9

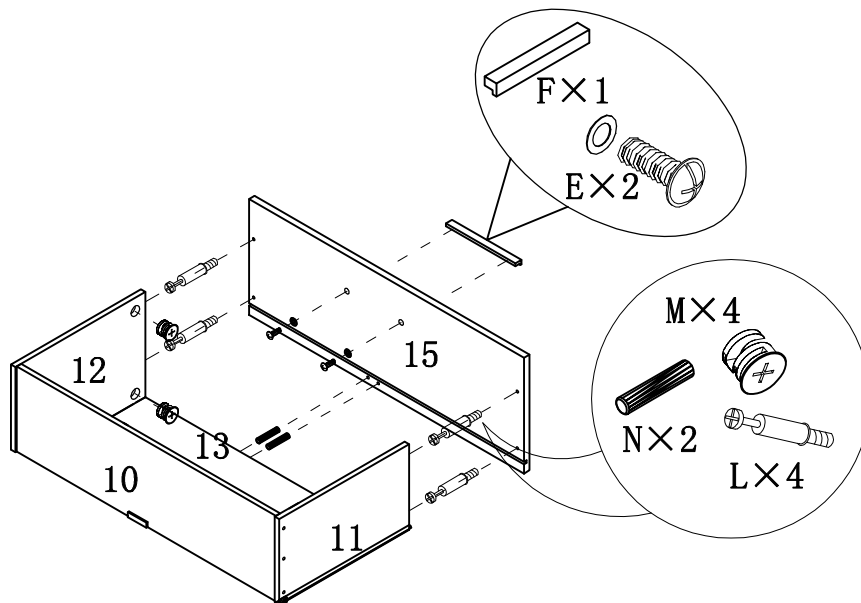
ASSEMBLY INSTRUCTION

ITEM#: 13728 192484

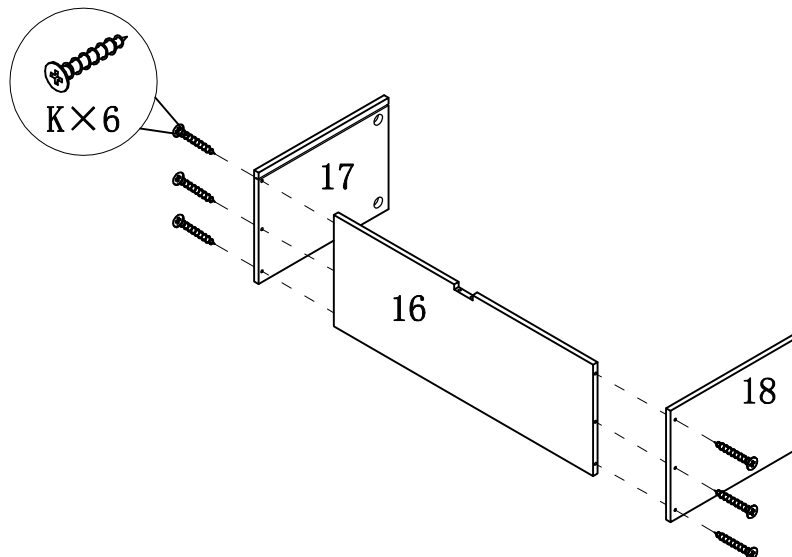


STEP 10

STEP 11



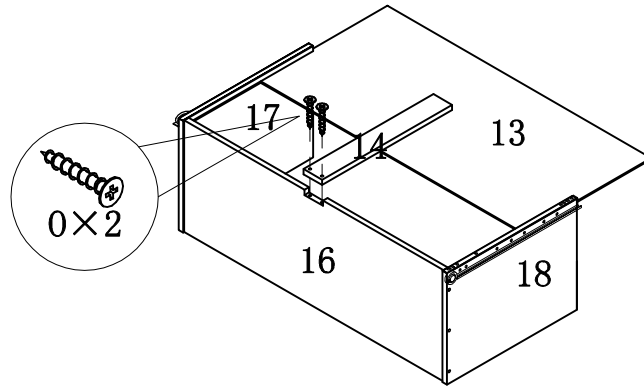
STEP 12



PAGE: 8 OF 9

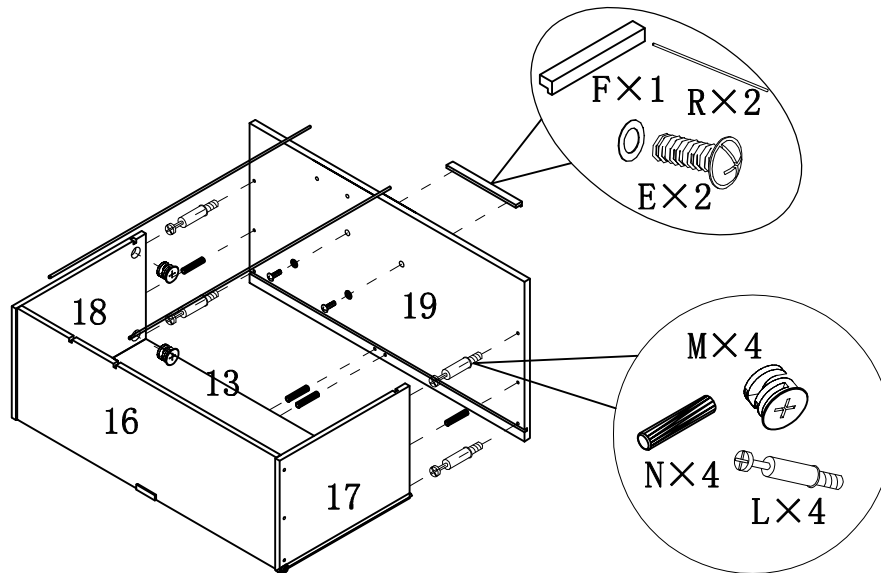
ASSEMBLY INSTRUCTION

ITEM#: 13728 192484



STEP 13

STEP 14



STEP 15

