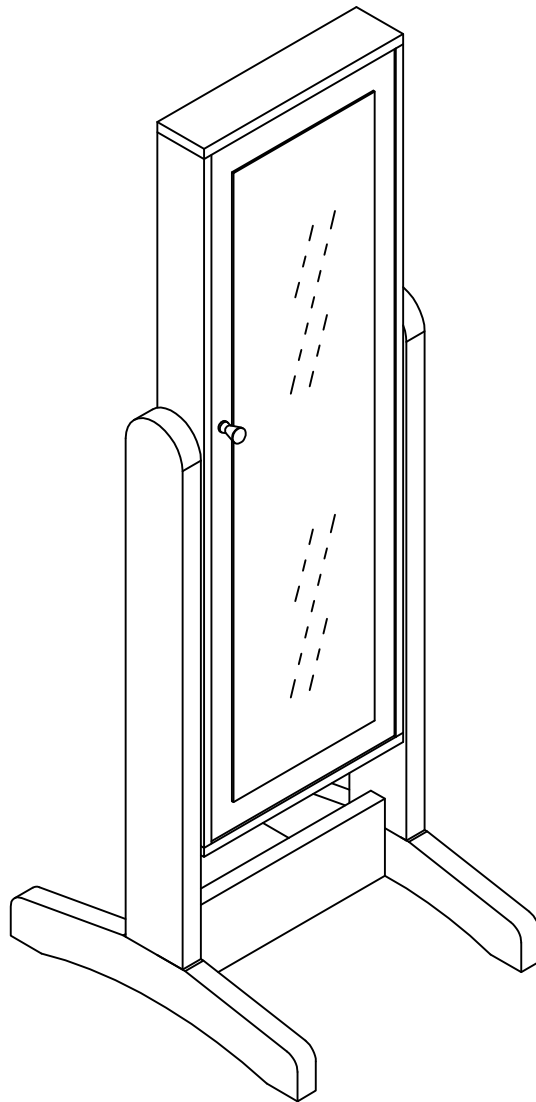


ASSEMBLY INSTRUCTION

ITEM# 12380 14982 161598 161599



ASSEMBLY INSTRUCTION

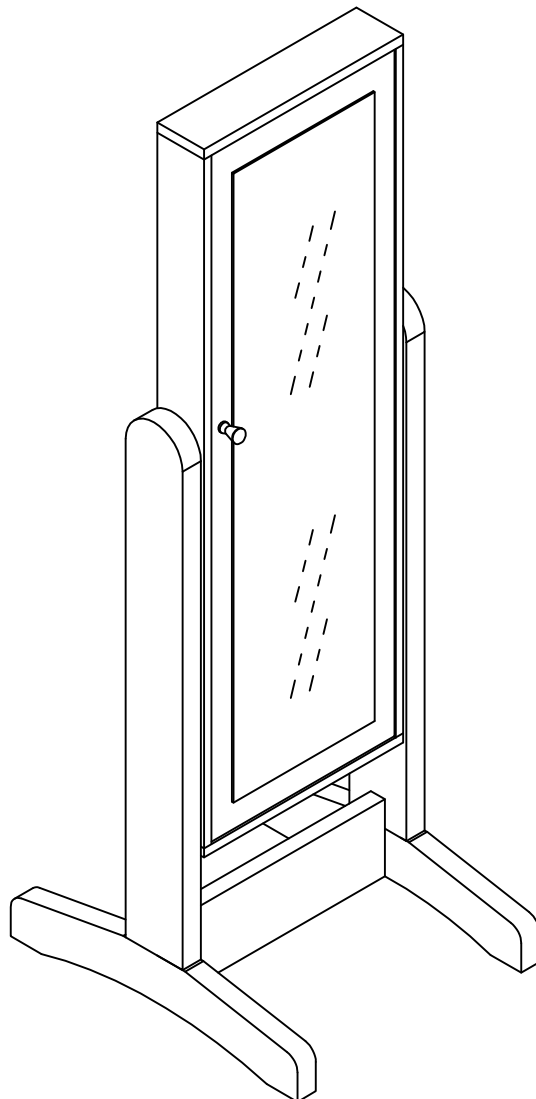
PLEASE READ BEFORE ASSEMBLING!

Tip #1: Make sure you've taken all the pieces and hardware out of its packaging before discarding the box.

Tip #2: Using page 2 and/or page 3 of instruction manual make sure all pieces and hardware are accounted for.

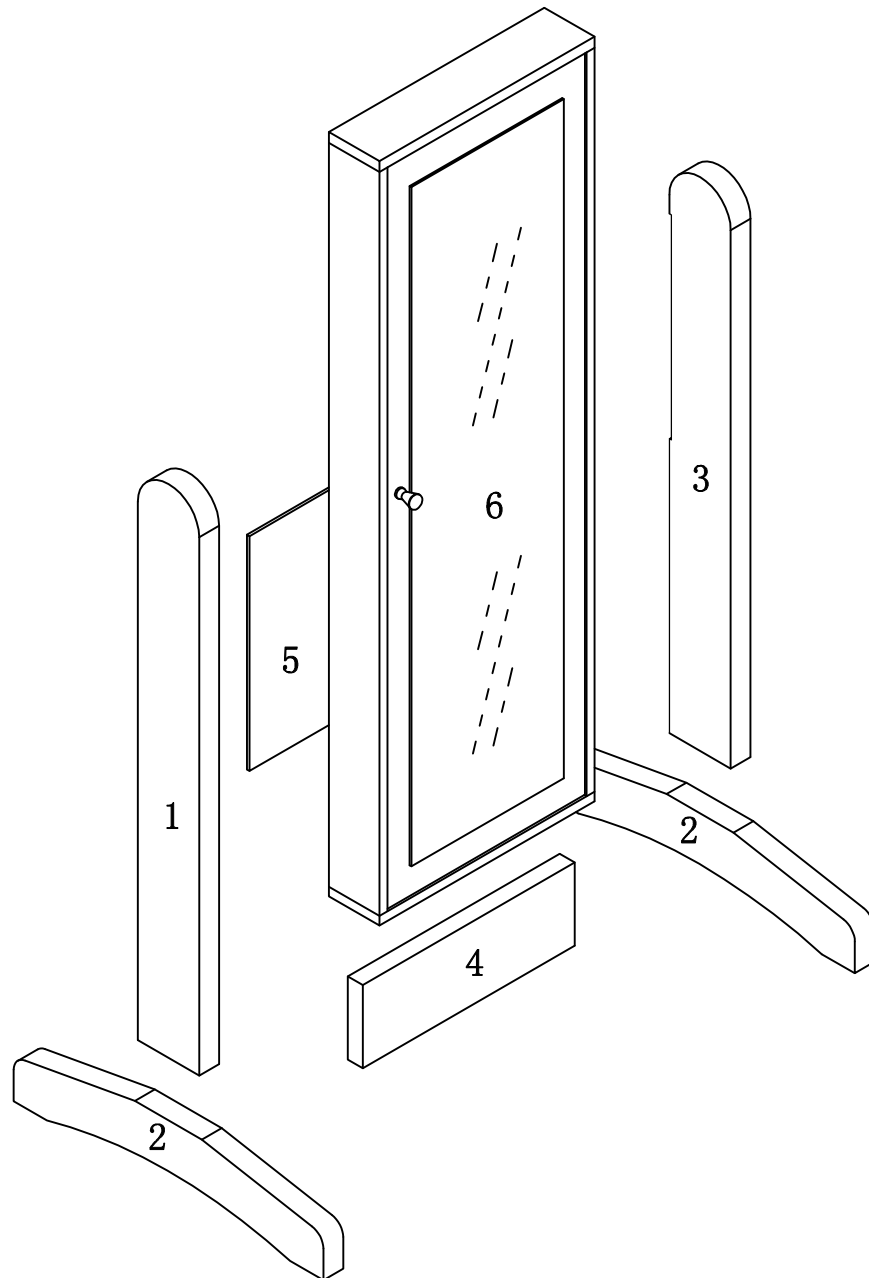
Tip #3: Read manual before assembling, it helps!

ITEM#: 12380 14982



PARTS IDENTIFICATION







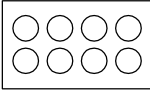

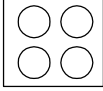
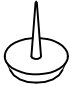


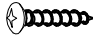
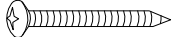
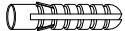
ITEM#: 12380 14982



(1)	1pc	(5)	1pc
(2)	2pcs	(6)	1pc
(3)	1pc		
(4)	1pc		

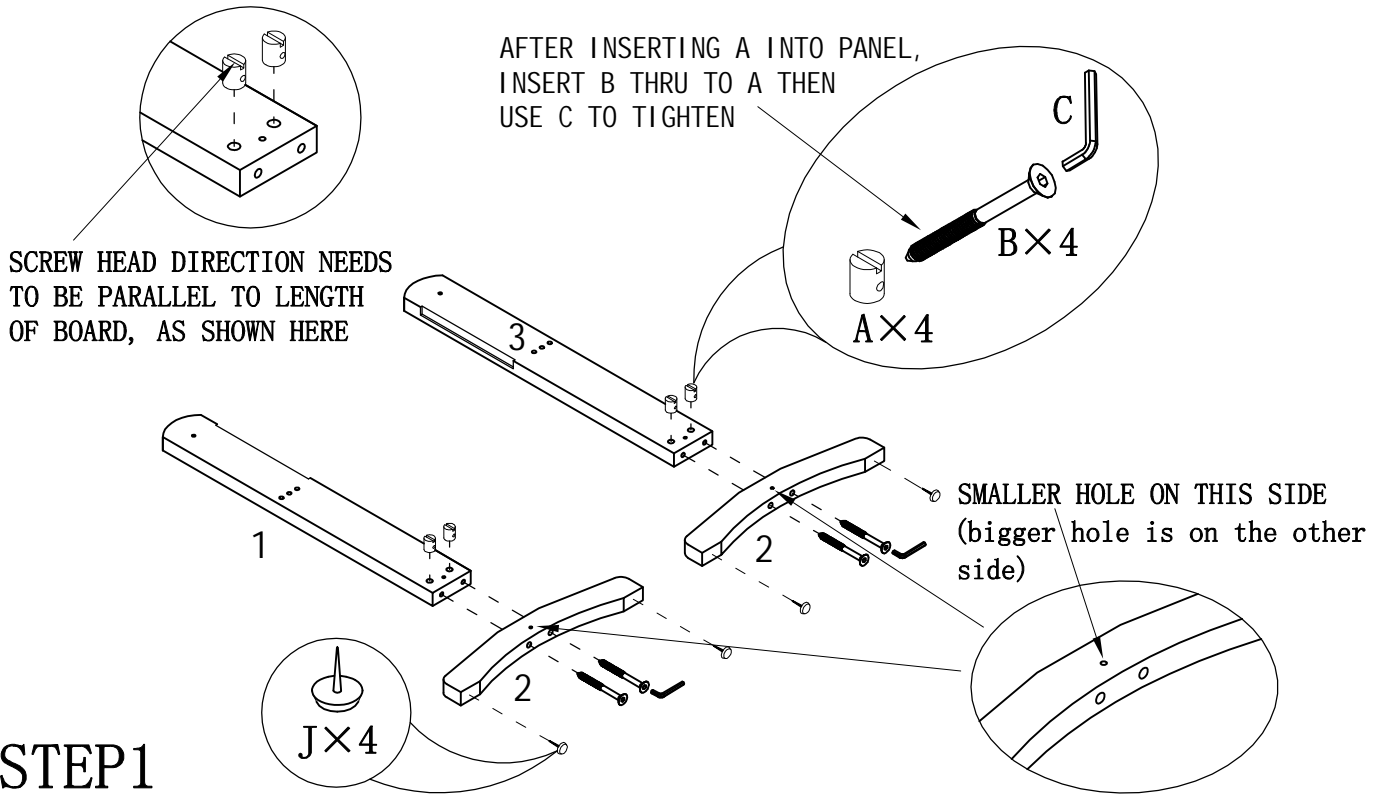
HARDWARE IDENTIFICATION

ITEM#: 12380 14982

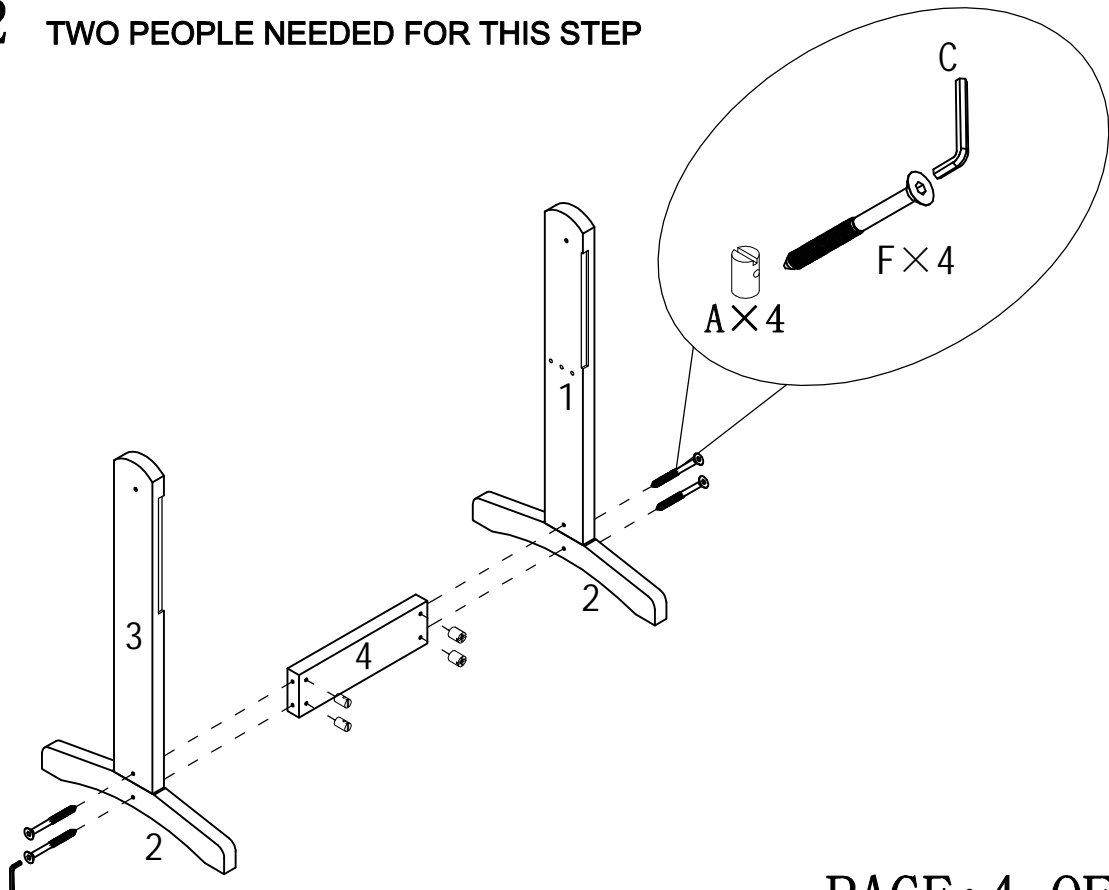
A		ø10	8pcs
B		ø6×85	4pcs
C		M4	1pc
D		ø8×40	2pcs
E		Z1016	10pcs
F		ø6×65	4pcs
G		ø13	8pcs
H		ø8×50	2pcs
I		ø18	4pcs
J		ø16	4pcs
K		197×5×1	1pc
L		12×12×1	2pcs
M		ø4×25	1pc
N		ø5×40	1pc
O		ø8×40	1pc

ASSEMBLY INSTRUCTION

ITEM#: 12380 14982



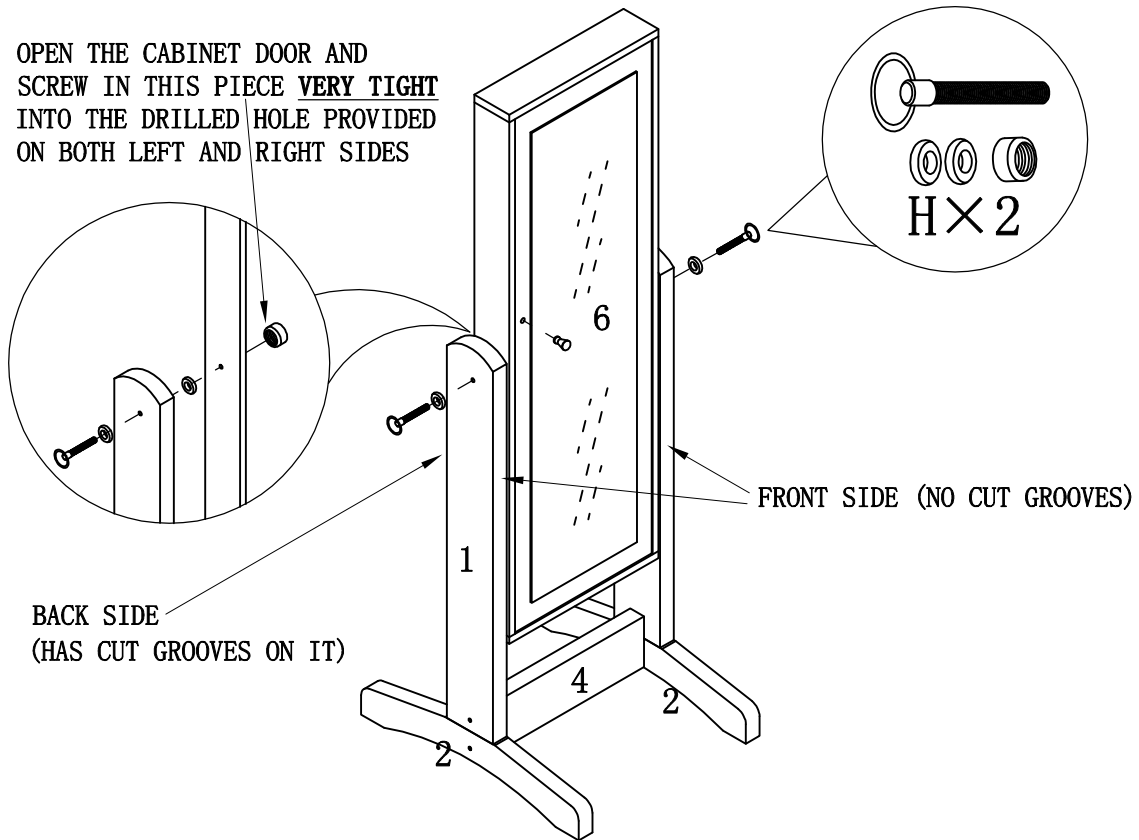
STEP 2 TWO PEOPLE NEEDED FOR THIS STEP



ASSEMBLY INSTRUCTION

ITEM#: 12380 14982

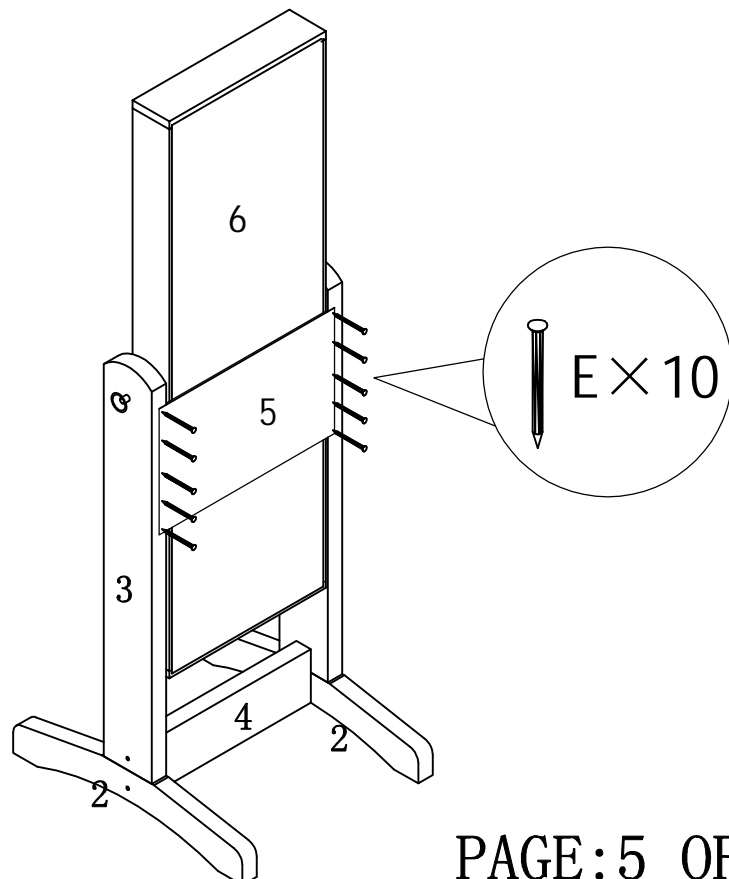
OPEN THE CABINET DOOR AND
SCREW IN THIS PIECE **VERY TIGHT**
INTO THE DRILLED HOLE PROVIDED
ON BOTH LEFT AND RIGHT SIDES



STEP 3 TWO PEOPLE NEEDED FOR THIS STEP: ONE TO HOLD THE MIRROR CABINET WHILE THE OTHER SCREWS IN THE HARDWARE

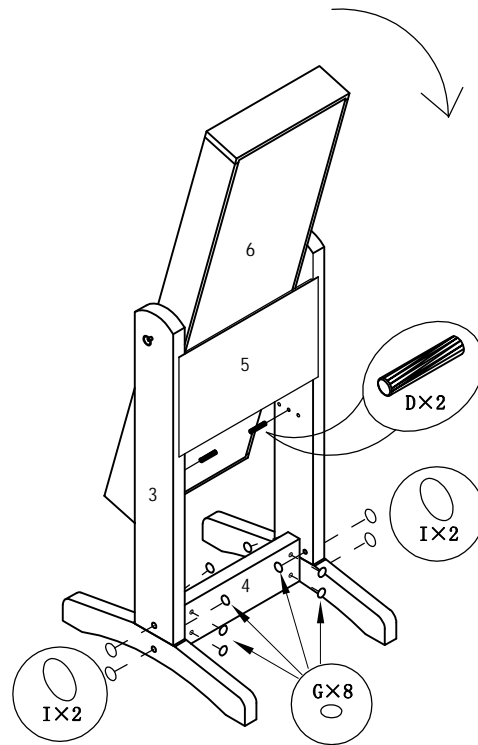
STEP 4

TWO PEOPLE NEEDED FOR THIS
STEP: ONE TO HOLD THE MIRROR
CABINET WHILE THE OTHER
HAMMERS IN THE NAILS



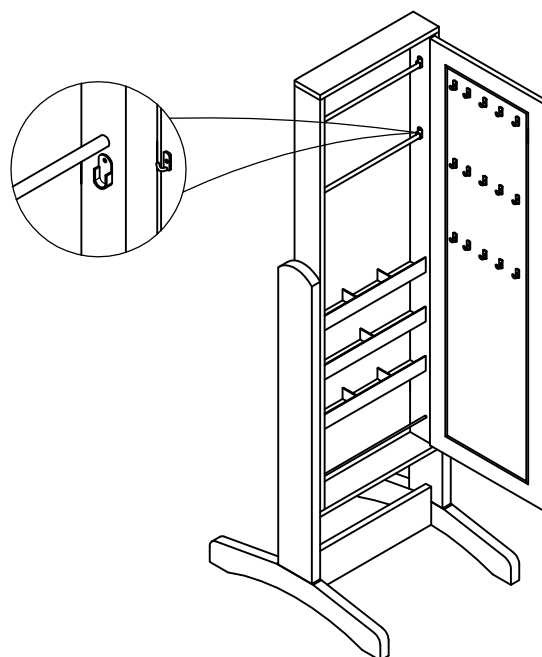
ASSEMBLY INSTRUCTION

ITEM#: 12380 14982



STEP5

STEP6



STEP5