

ASSEMBLY INSTRUCTION

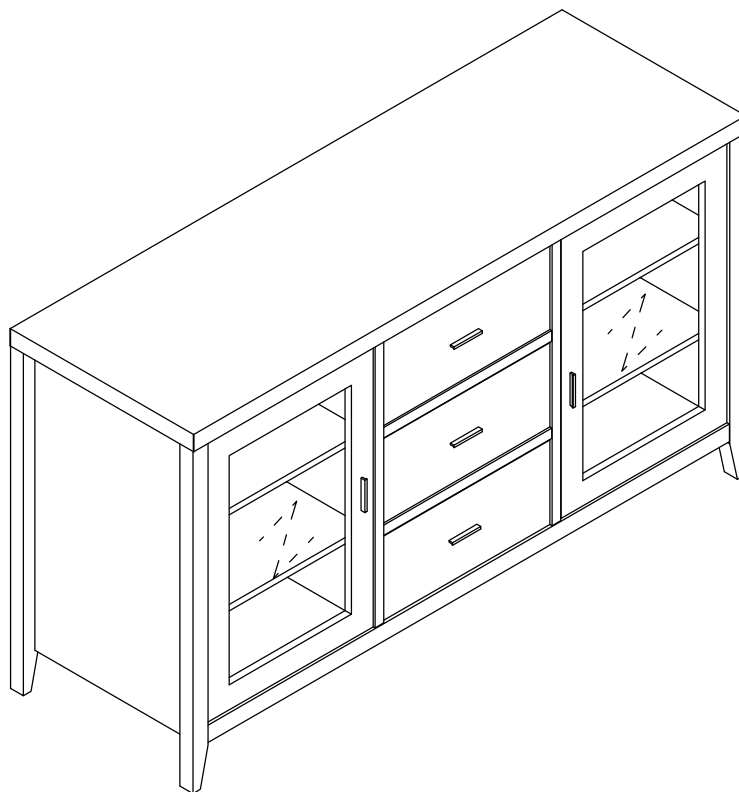
PLEASE READ BEFORE ASSEMBLING!

Tip #1: Make sure you've taken all the pieces and hardware out of its packaging before discarding the box.

Tip #2: Using page 2 and/or page 3 of instruction manual make sure all pieces and hardware are accounted for.

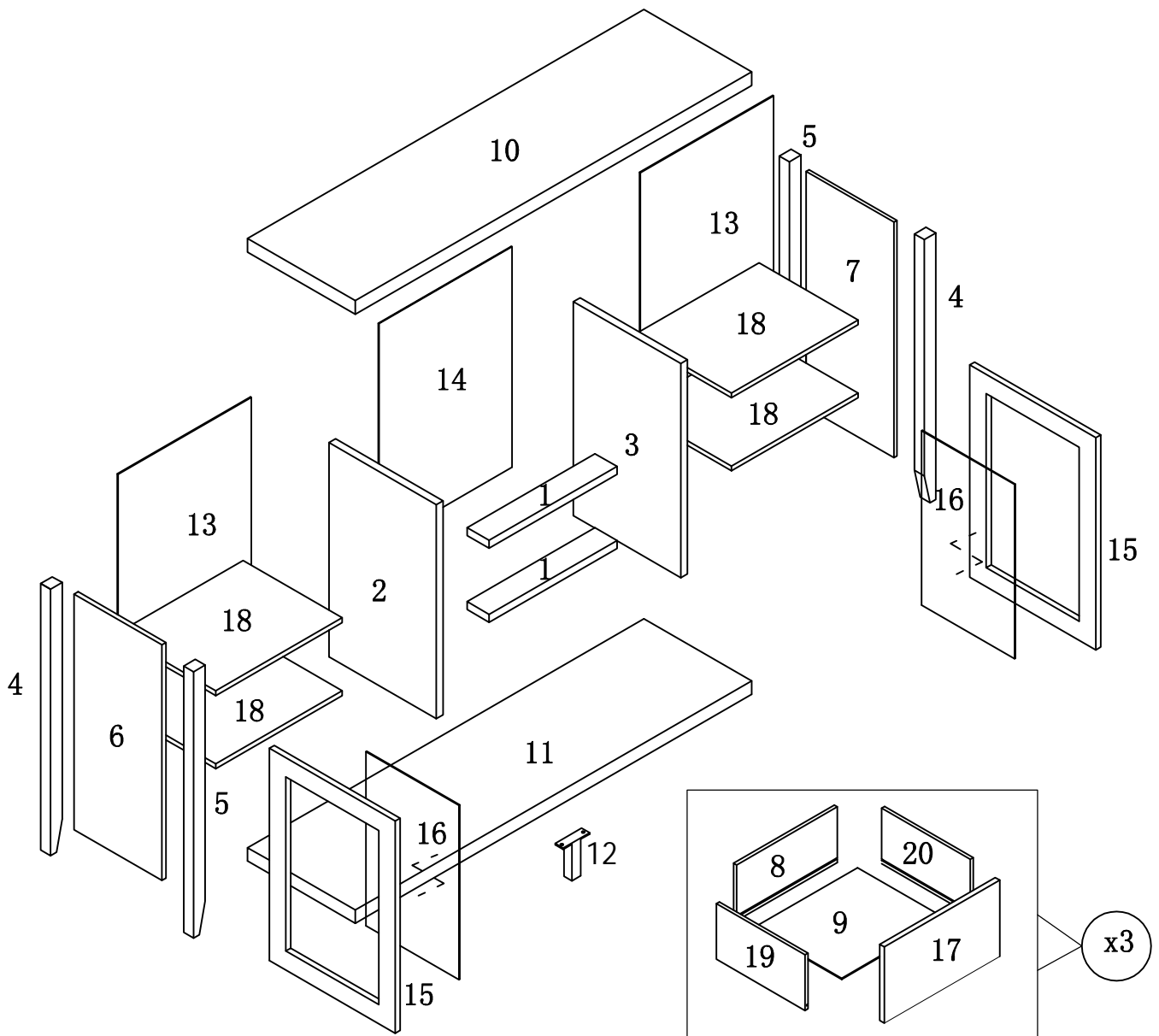
Tip #3: Read manual before assembling, it helps!

ITEM#: 11456 171919



PARTS IDENTIFICATION



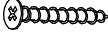
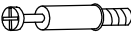







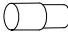




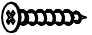



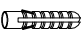



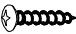
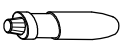
ITEM#: 11456



(1)	2pcs	(8)	3pcs	(15)	2pcs
(2)	1pc	(9)	3pcs	(16)	2pcs
(3)	1pc	(10)	1pc	(17)	3pcs
(4)	2pcs	(11)	1pc	(18)	4pcs
(5)	2pcs	(12)	1pc	(19)	3pcs
(6)	1pc	(13)	2pcs	(20)	3pcs
(7)	1pc	(14)	1pc		

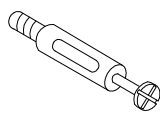

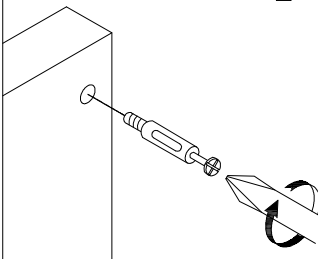
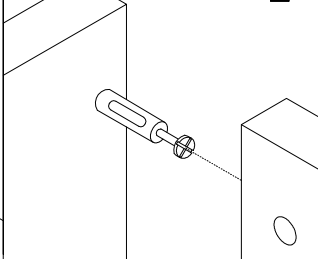
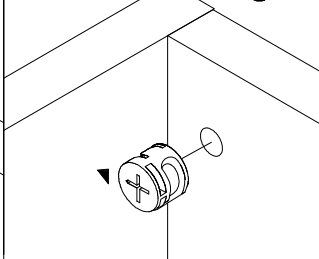
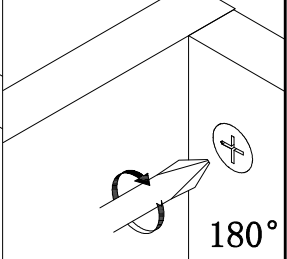
HARDWARE IDENTIFICATION

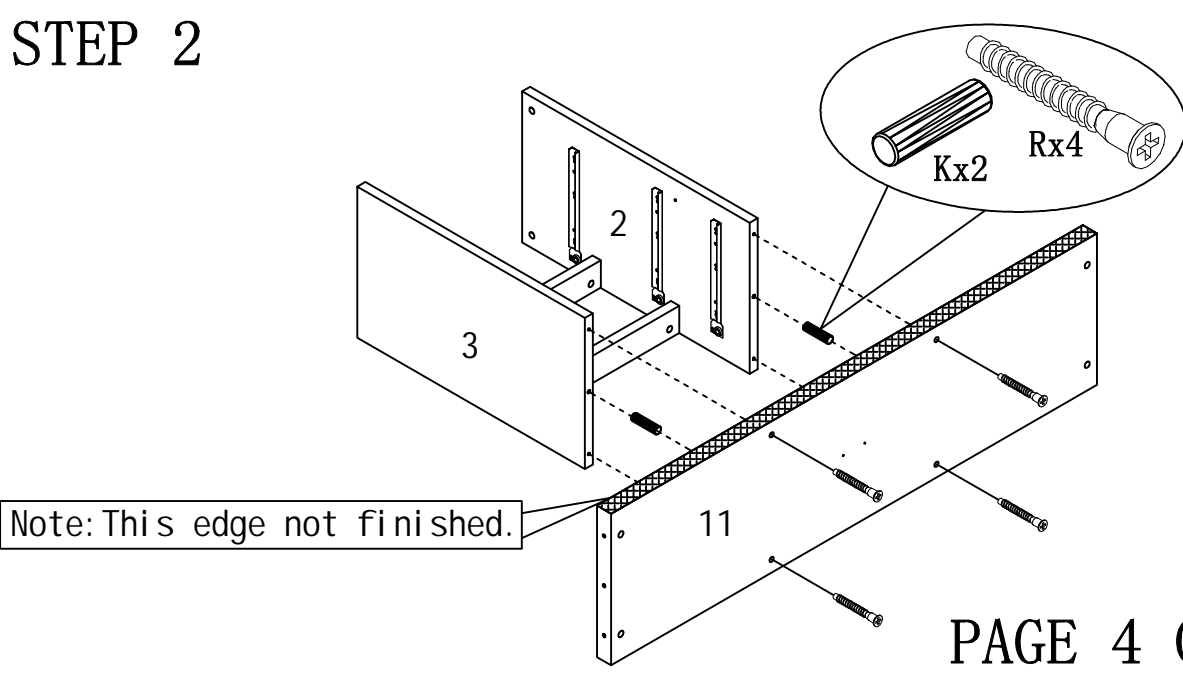
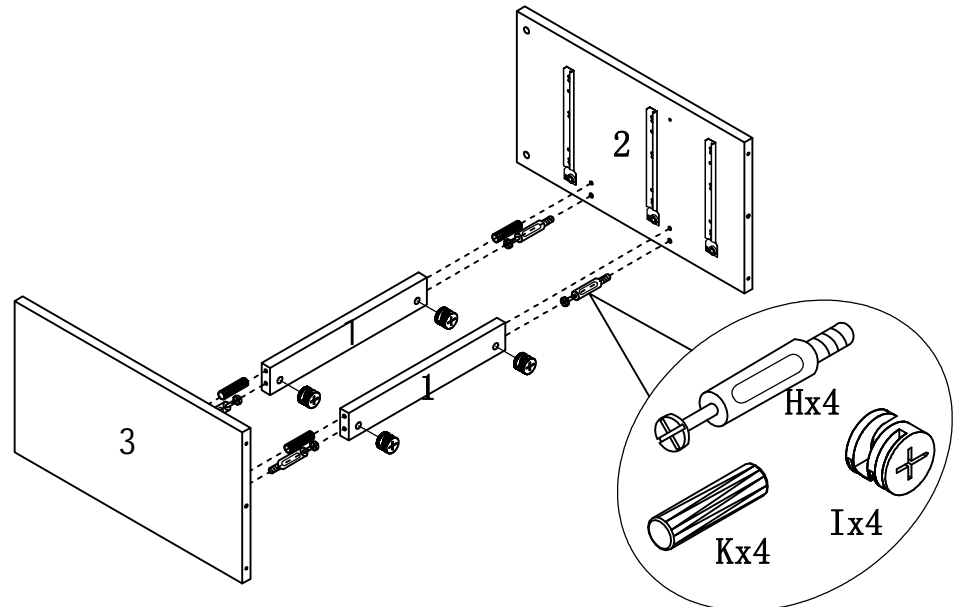
ITEM#: 11456

A		ø3.5 x 12	8pcs
B			8pcs
C		ø4 x 30	12pcs
D		L20	12pcs
E		ø12	12pcs
F		ø4x22	6pcs
G		96	5pcs
H		L29	24pcs
I		ø15	24pcs
J		ø18	12pcs
K		ø8x25	20pcs
L		ø5	16pcs
M			36pcs
N		301C	4pcs
O		ø4 x 16	18pcs
P			2pcs
Q		ø3 x 16	4pcs
R		ø7 x 58	4pcs
S		ø4 x 25	4pcs
U		ø16	4pcs
V		ø8x40mm	1pc
W		197x5x1mm	1pc
X		ø5x40mm	1pc
Y		12x12x1mm	2pcs
Z		ø4x25mm	1pc
A1		Glue: For securing please apply to wood dowel first before inserting into panel	1pc

ASSEMBLY INSTRUCTION

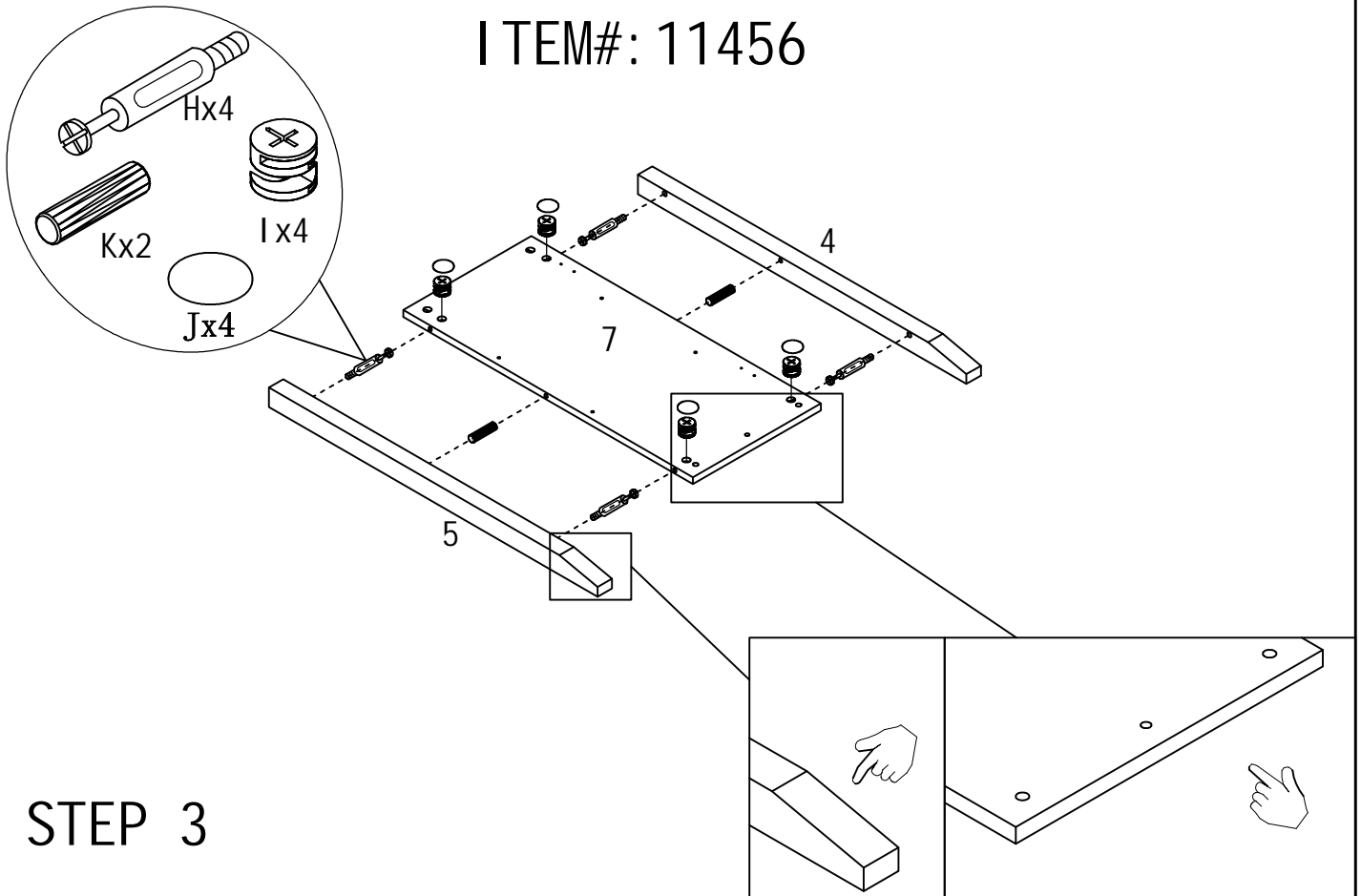
ITEM#: 11456

HOW TO	1	2	3	4
 Cam Bolt  Cam Lock				 180°
	1. Screw Cam Bolt into panel.	2. Insert Cam Bolt into bolt hole of joining panel.	3. Insert Cam Lock. arrow facing bolt.	4. Gently turn Cam Lock clockwise to lock position.



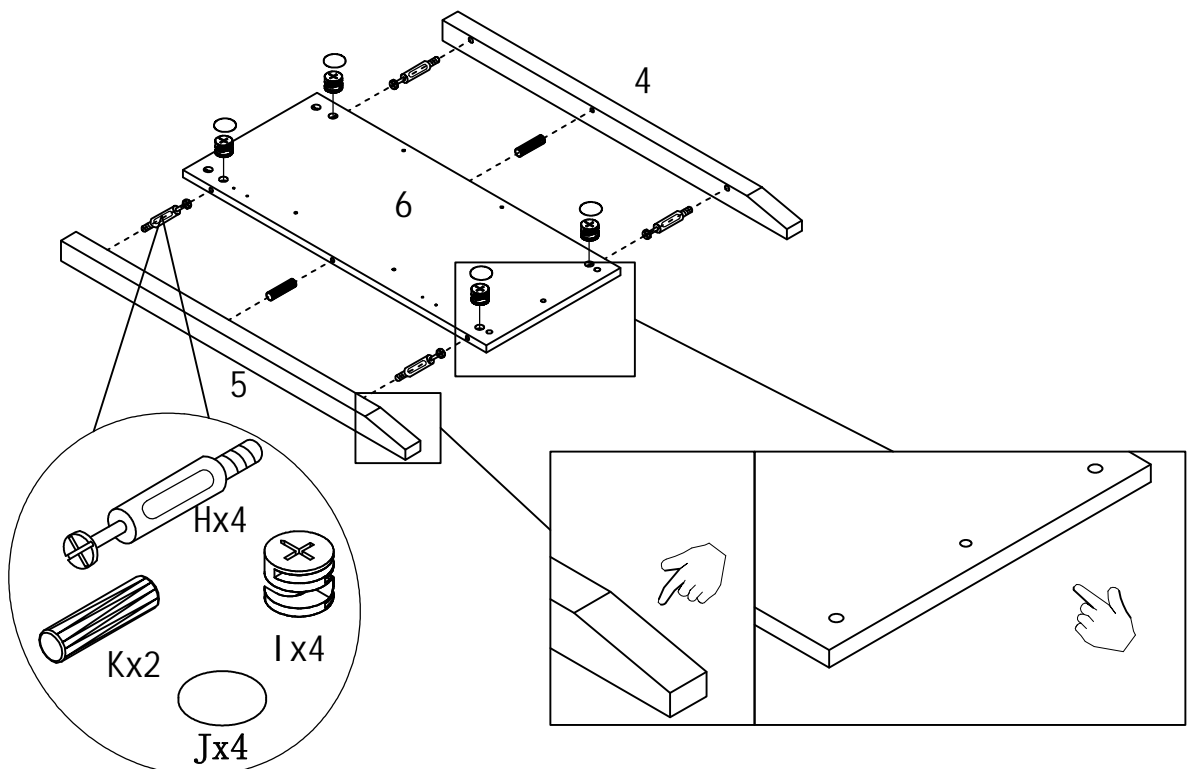
ASSEMBLY INSTRUCTION

ITEM#: 11456



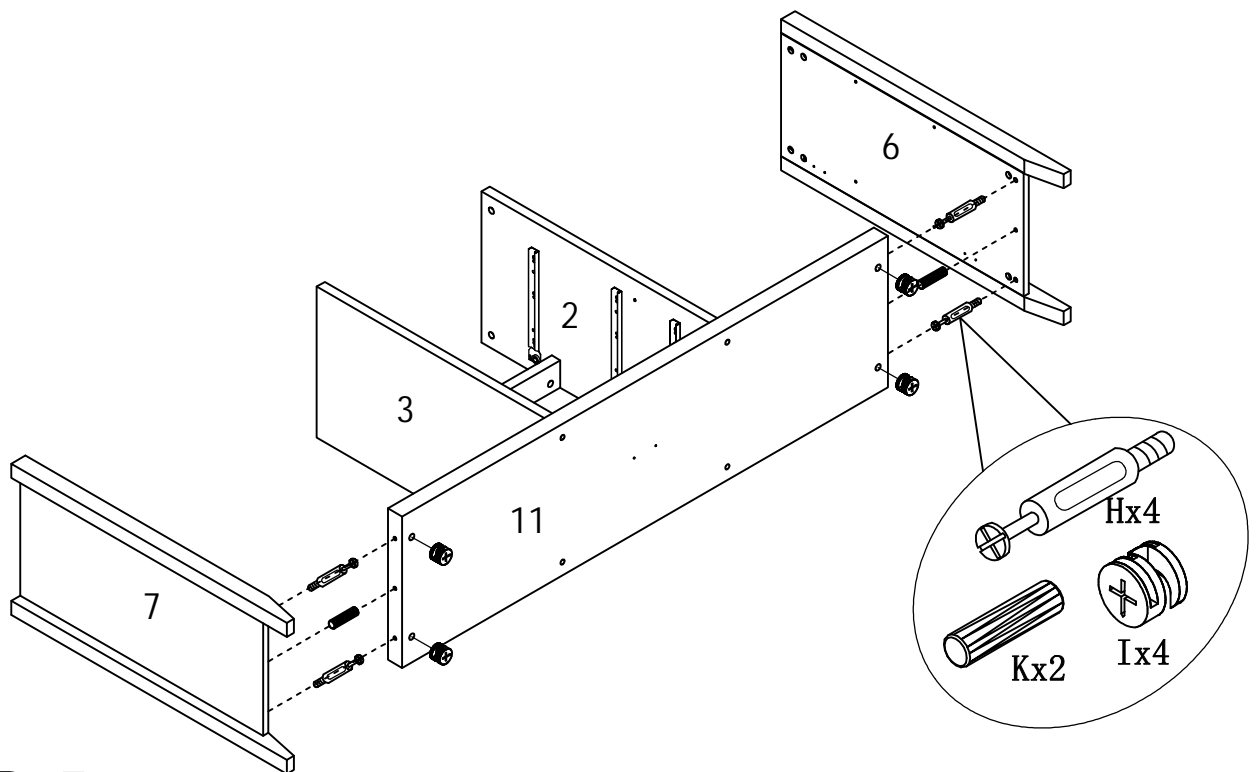
STEP 3

STEP 4



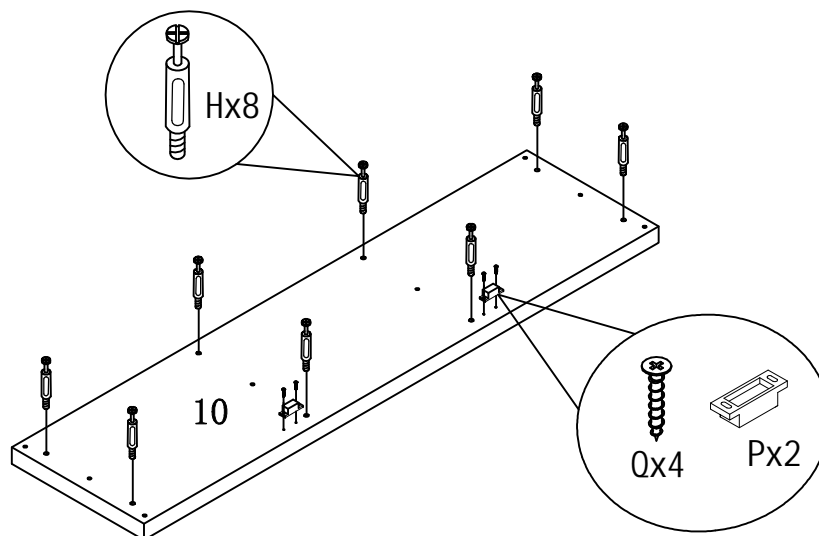
ASSEMBLY INSTRUCTION

ITEM#: 11456



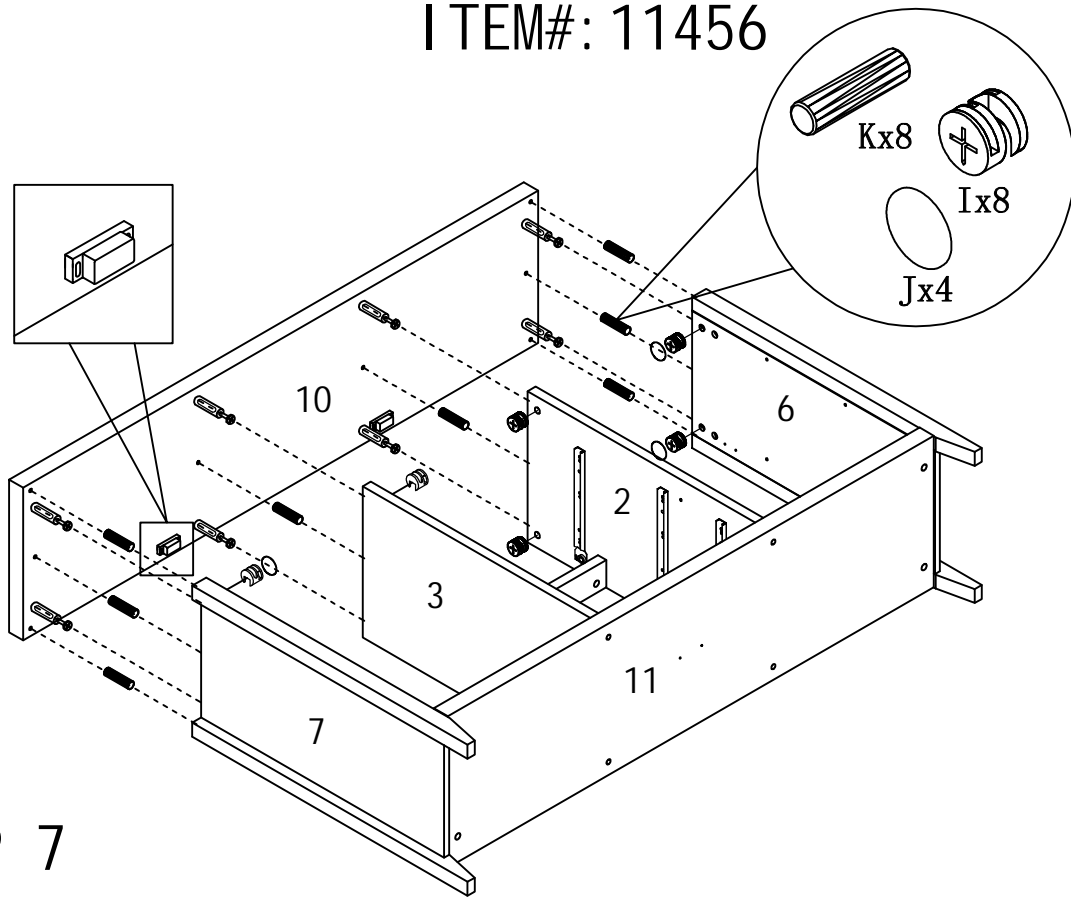
STEP 5

STEP 6



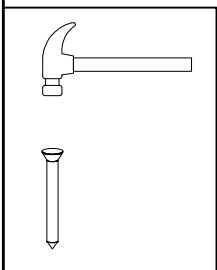
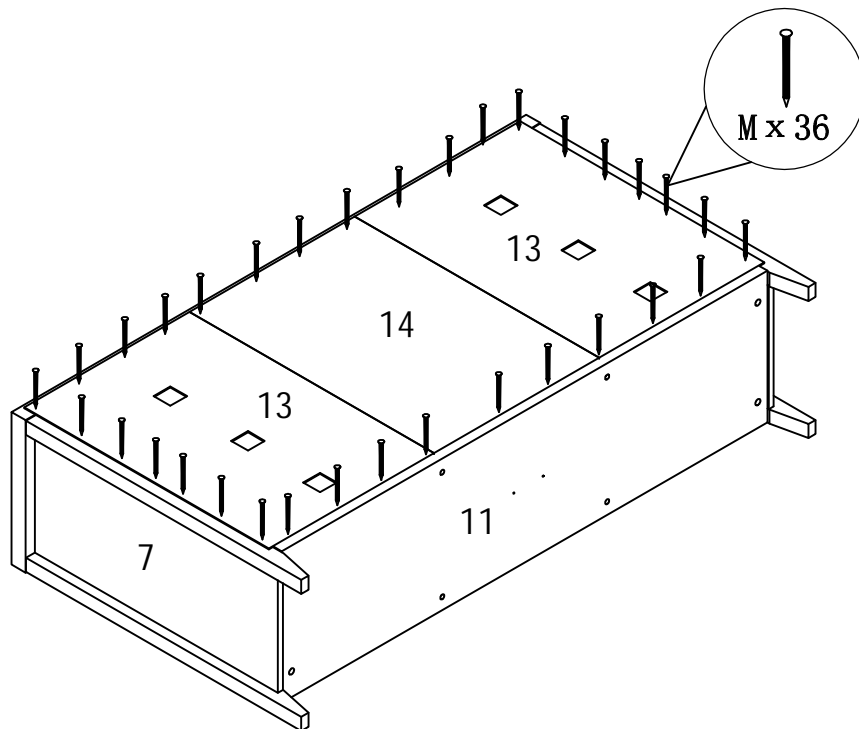
ASSEMBLY INSTRUCTION

ITEM#: 11456



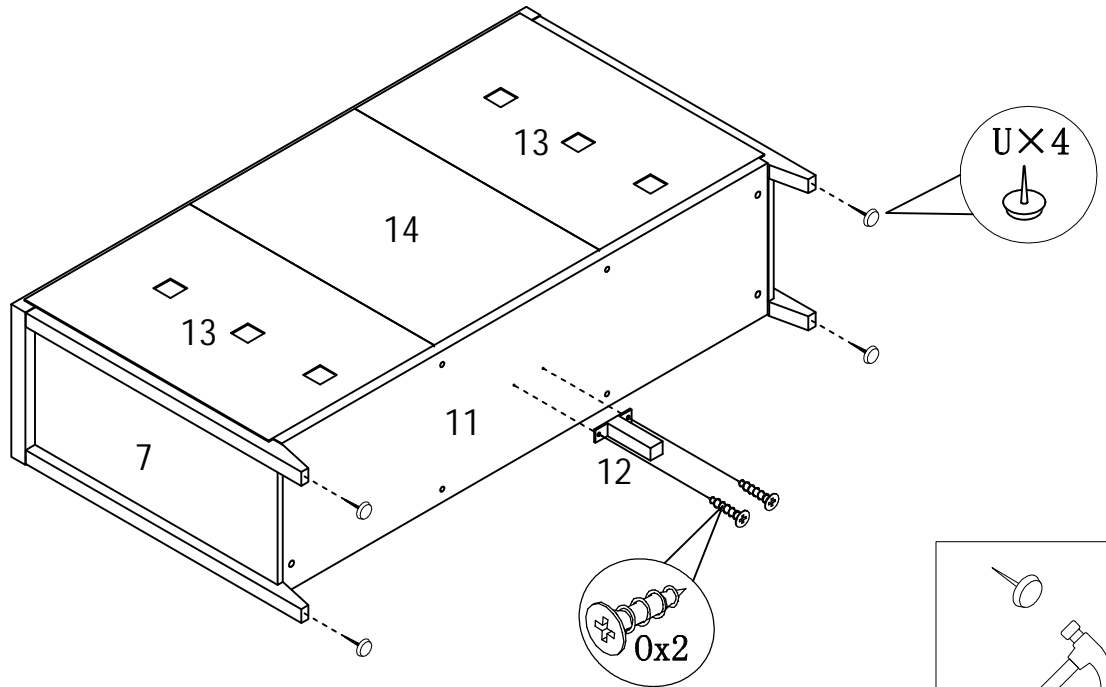
STEP 7

STEP 8



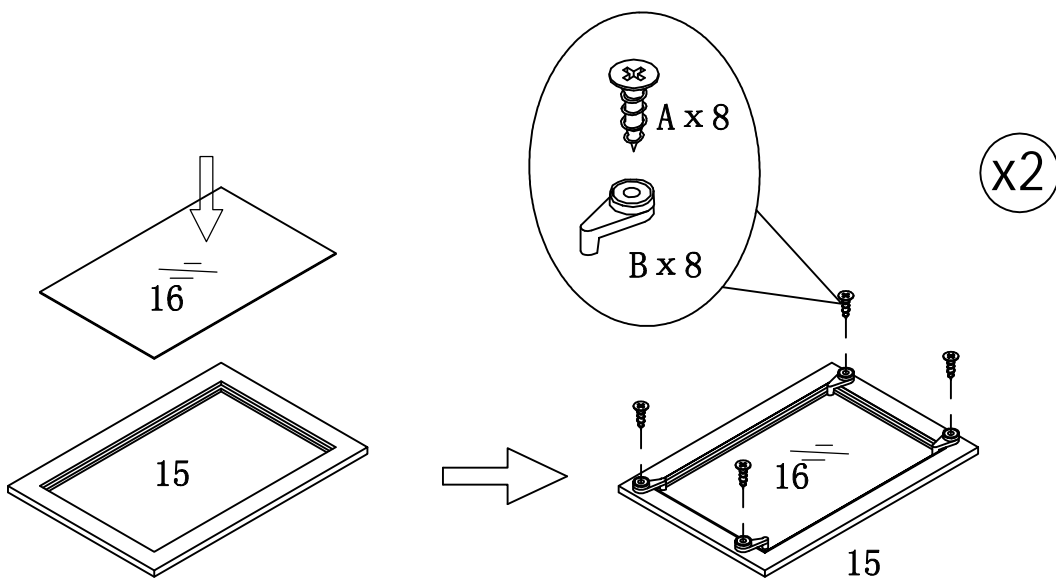
ASSEMBLY INSTRUCTION

ITEM#: 11456



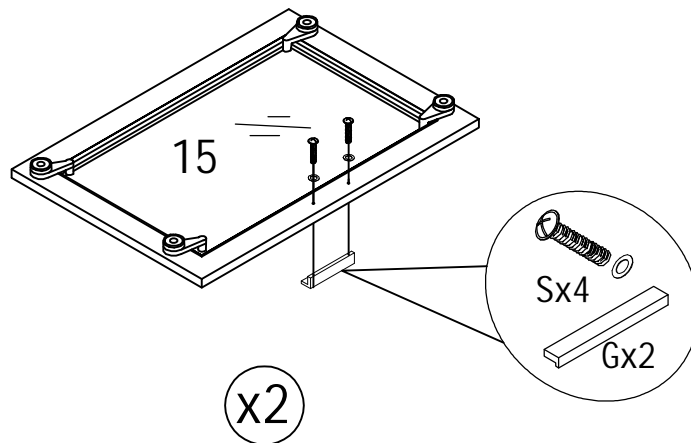
STEP 9

STEP 10



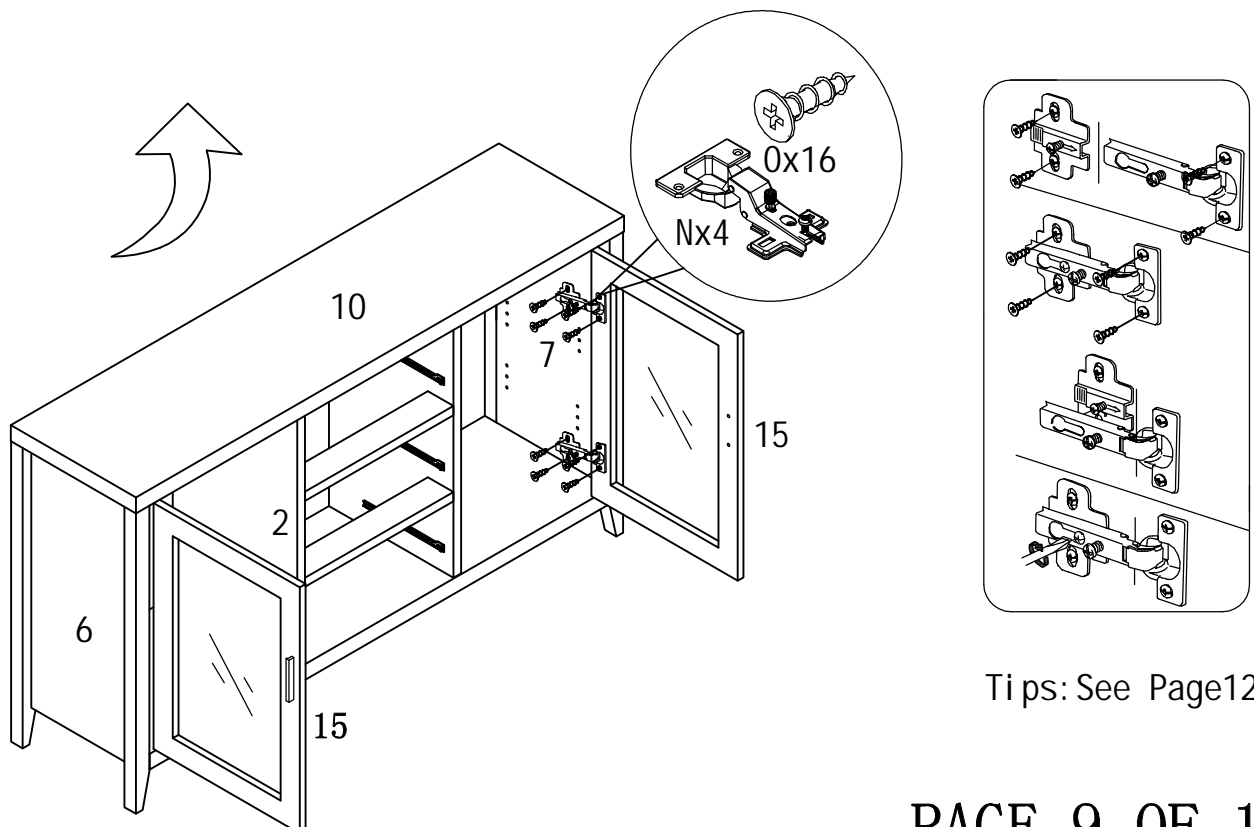
ASSEMBLY INSTRUCTION

ITEM#: 11456



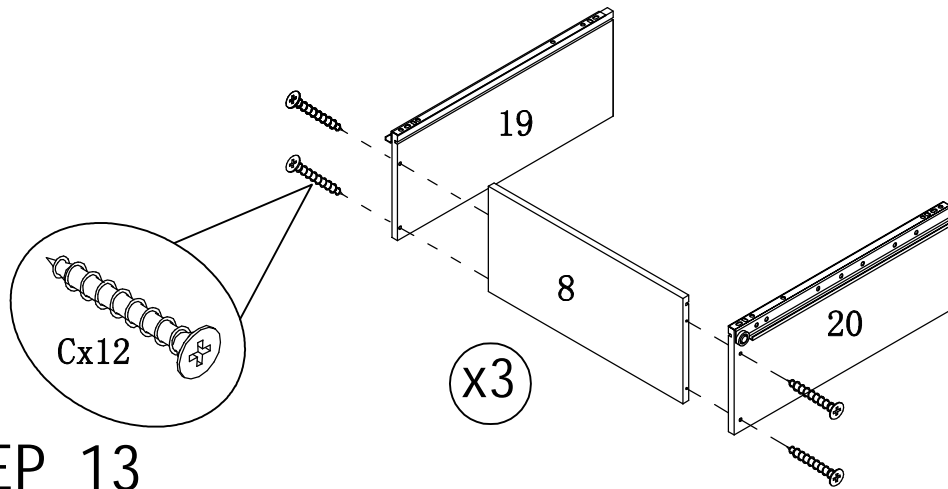
STEP 11

STEP 12



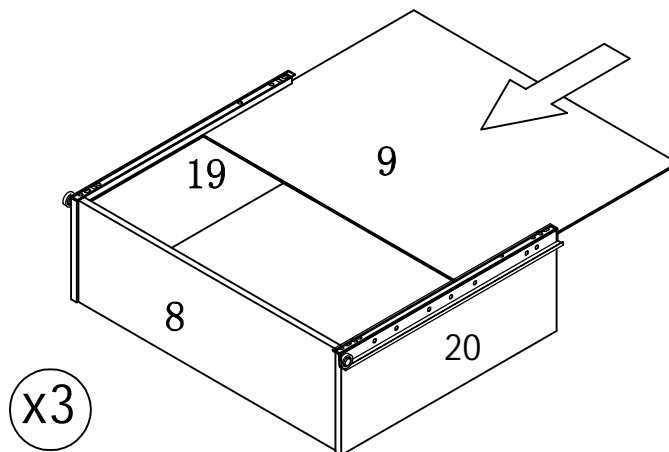
ASSEMBLY INSTRUCTION

ITEM#: 11456

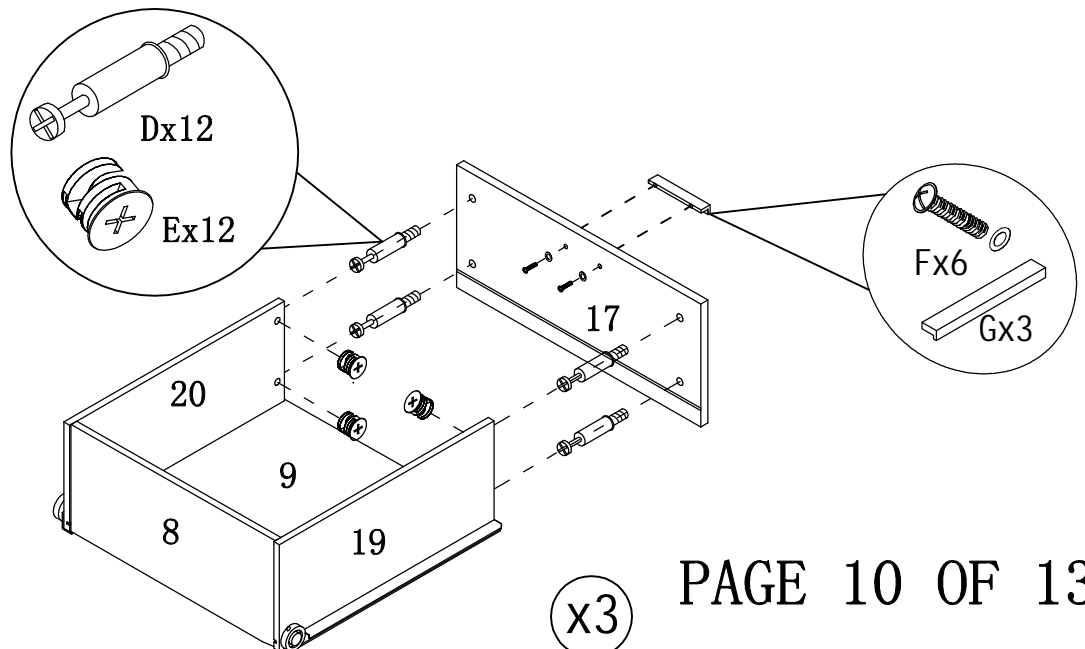


STEP 13

STEP 14



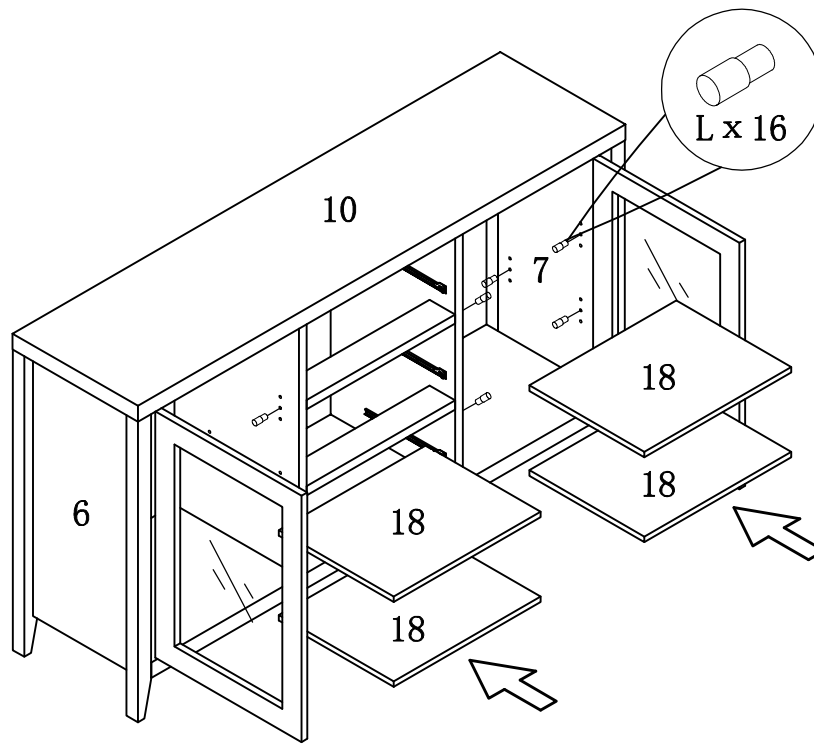
STEP 15



PAGE 10 OF 13

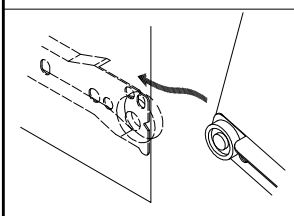
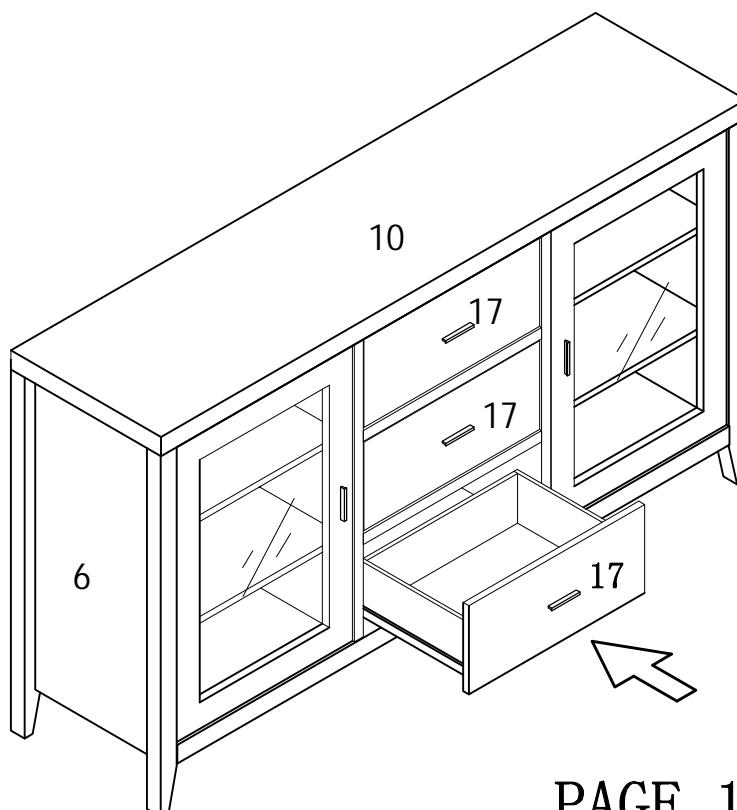
ASSEMBLY INSTRUCTION

ITEM#: 11456



STEP 16

STEP 17

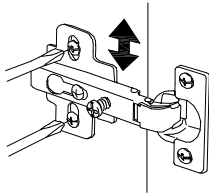


PAGE 11 OF 13

HOW TO ADJUST HINGES

Gradually adjust the screws and close the door to review adjustment each time.

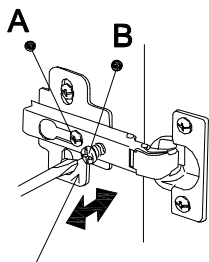
Fig.1



If door is too high or too low:

Loosen top and bottom screws, as shown in Fig .1, for all hinges on this door panel. Take care to support door. Adjust door up or down as necessary, hold in place. and tighten screws again.

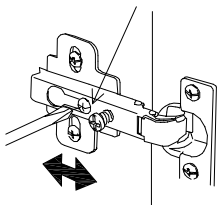
Fig.2



If doors have a gap in the middle or are hitting each other:

Loosen screw A and B, as shown in Fig.2, for all hinges on this door panel. Take care to support door. Adjust door to the left or right as necessary, hold in place and tighten screw A, then B. If the door is not hanging straight, adjust the top and bottom hinges separately by tightening/loosening screw B, to correct the alignment of that corner. Turn screw B clockwise to move door toward frame. Turn screw B counterclockwise to move door away from frame.

Fig.3



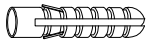
If door is too close or far from frame:

Loosen screw, as shown in Fig.3, for all hinges on this door panel. Take care to support door. Adjust door towards or away from frame as necessary, hold in place and tighten screws again.

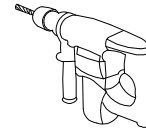
ANTI-TIPPING STRAP INSTRUCTION

HARDWARE (INCLUDED) :

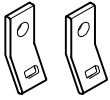
TOOLS NEEDED (NOT INCLUDED) :



DRYWALL ANCHOR $\phi 8 \times 40$ X 1PC



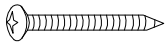
DRILL & DRILL BIT



METAL BRACKETS $12 \times 12 \times 1$ X 2PCS



LIGHT HAMMER



DRYWALL SCREW $\phi 5 \times 40$ X 1PC



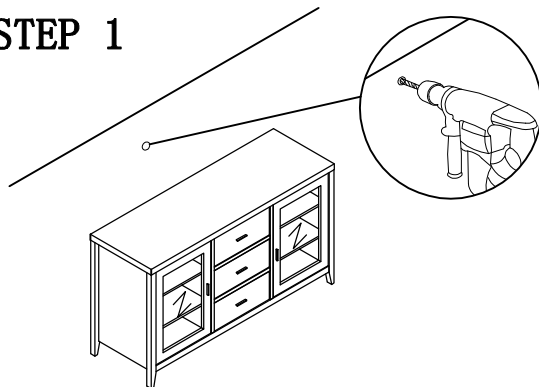
STRAP $197 \times 5 \times 1$ X 1PC



FLATHEAD SCREW $\phi 4 \times 25$ X 1PC

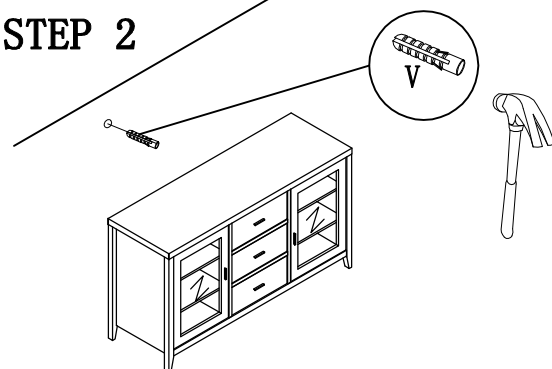
Note: Hardware included only compatible with standard drywalls.

STEP 1



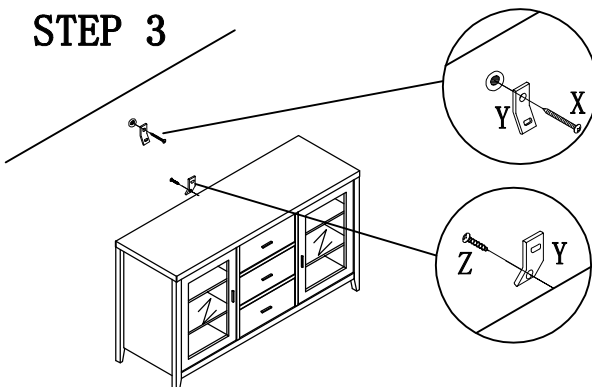
1. Find spot on wall 1" below top of item.
2. Using a drill bit slightly thinner than anchor, drill hole into drywall.

STEP 2



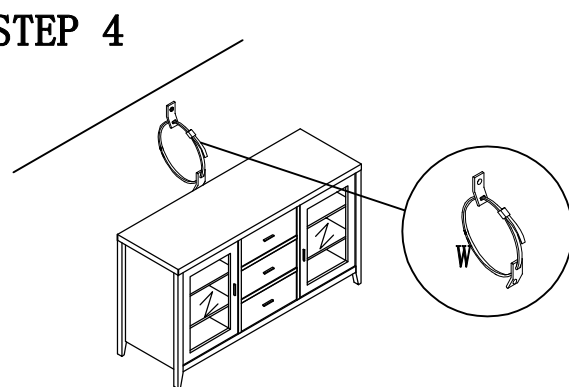
1. Use a light hammer to tap anchor into hole.
2. Anchor should fit snugly. If hole is too small, drill again to increase hole size. Do not force anchor into wall.

STEP 3



1. Insert drywall screw into metal bracket and into drywall anchor.
2. Insert flathead screw into second metal bracket and into back of item along top edge.

STEP 4



1. Insert strap thru bracket attached to wall, then thru bracket on item, and into head of strap.
 2. pull lightly til strap stops.
- Assembly is complete.