

ASSEMBLY INSTRUCTION

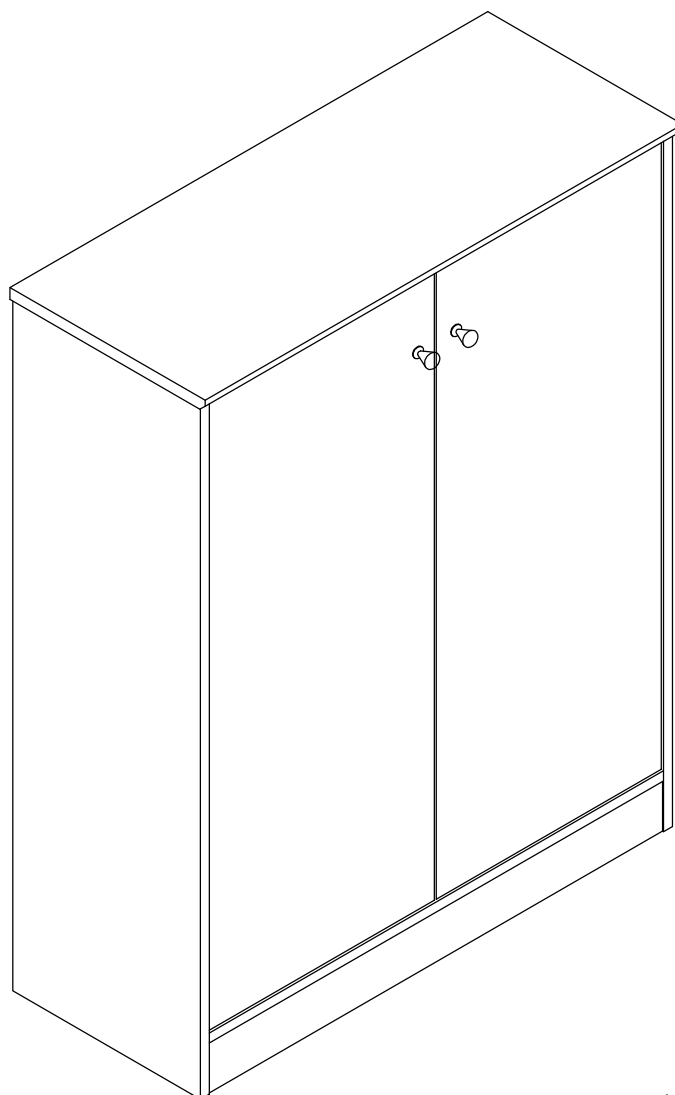
PLEASE READ BEFORE ASSEMBLING!

Tip #1: Make sure you've taken all the pieces and hardware out of its packaging before discarding the box.

Tip #2: Using page 2 and/or page 3 of instruction manual make sure all pieces and hardware are accounted for.

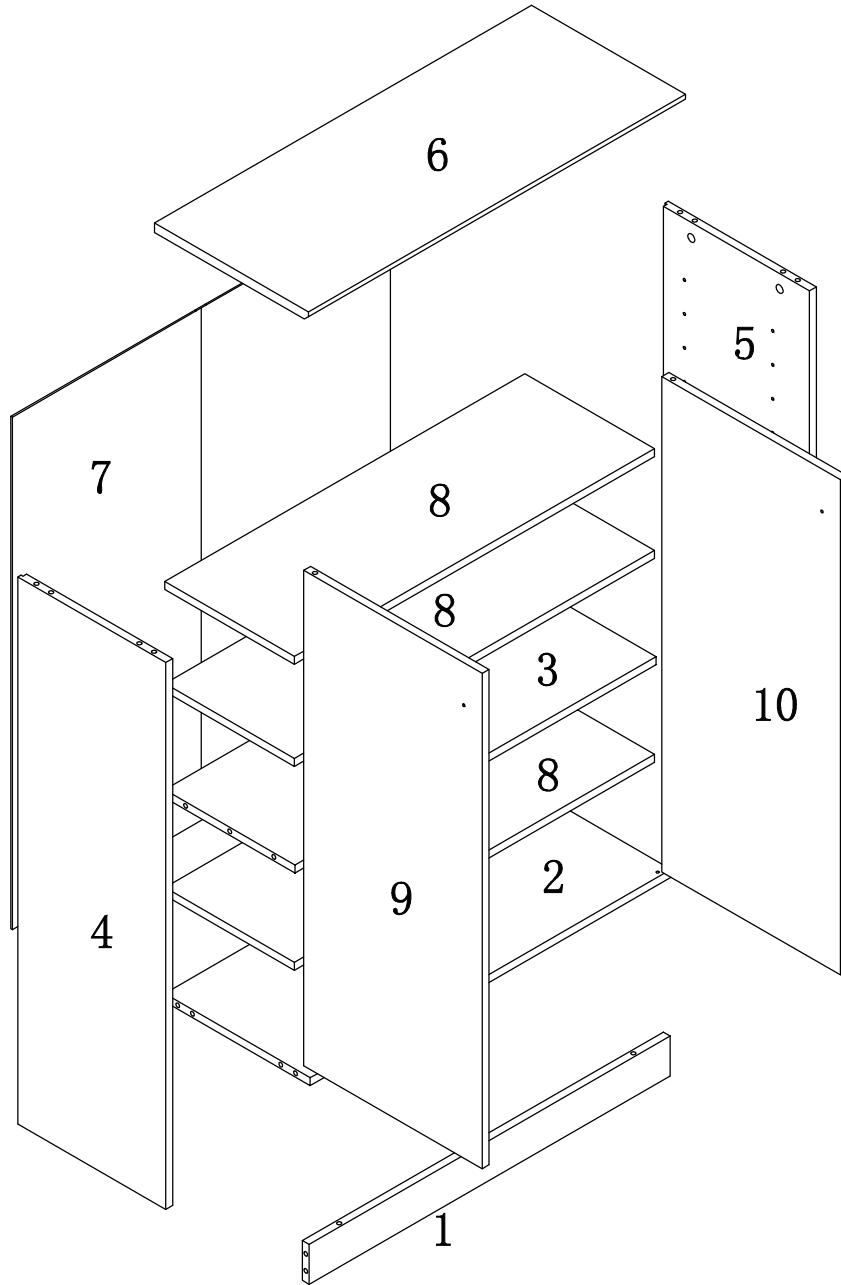
Tip #3: Read manual before assembling, it helps!

ITEM#	106132	106137	14929
	151196	192500	



PARTS IDENTIFICATION


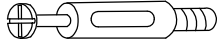

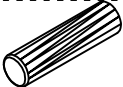

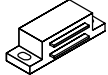

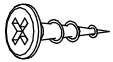

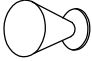


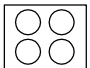

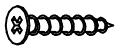

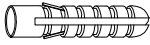

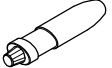
ITEM#: 14929 151196



(1)	1pc	(6)	1pc
(2)	1pc	(7)	1pc
(3)	1pc	(8)	3pcs
(4)	1pc	(9)	1pc
(5)	1pc	(10)	1pc

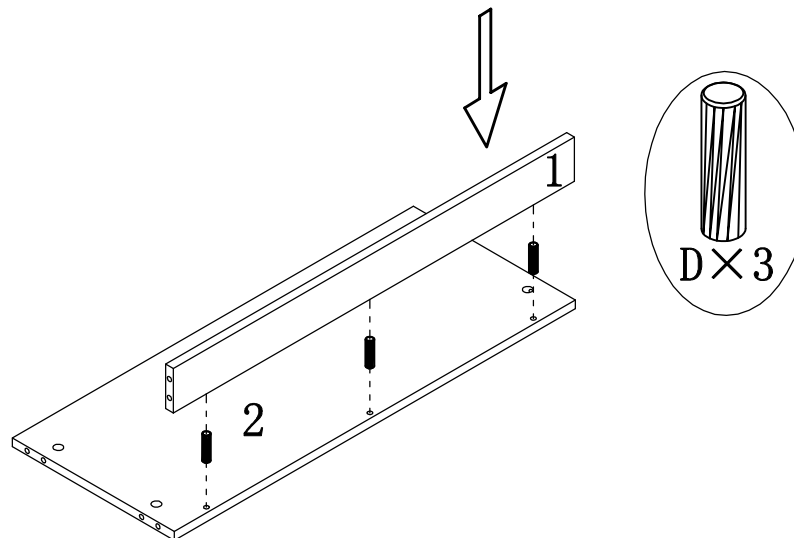
HARDWARE IDENTIFICATION

ITEM#: 14929 151196

A		$\phi 15$	10pcs
B		L29	10pcs
C			50pcs
D		$\phi 8 \times 25$	19pcs
E		$\phi 5$	12pcs
F			1pc
G			2pcs
H		$\phi 3 \times 14$	4pcs
I		$\phi 3 \times 16$	2pcs
J		$\phi 5$	2pcs
K		$\phi 4 \times 20$	2pcs
L			2pcs
M		$\phi 18$	4pcs
N			1pc
O		$\phi 4 \times 25$	1pc
P		$\phi 5 \times 40$	1pc
Q		$\phi 8 \times 40$	1pc
R		$\phi 16$	5pcs
S		Glue: For securing please apply to wood dowel first before inserting into panel.	1pc

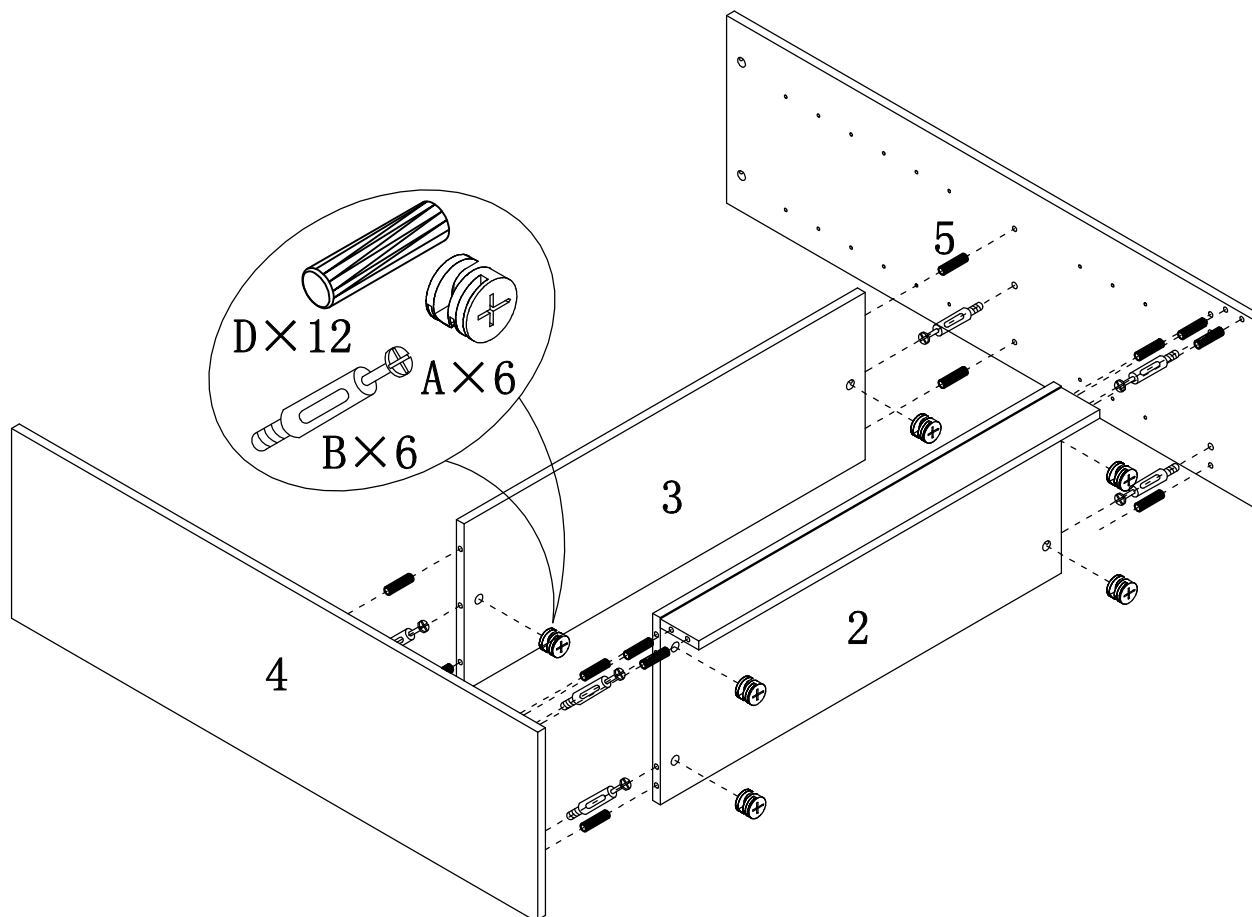
ASSEMBLY INSTRUCTION

ITEM#: 14929 151196



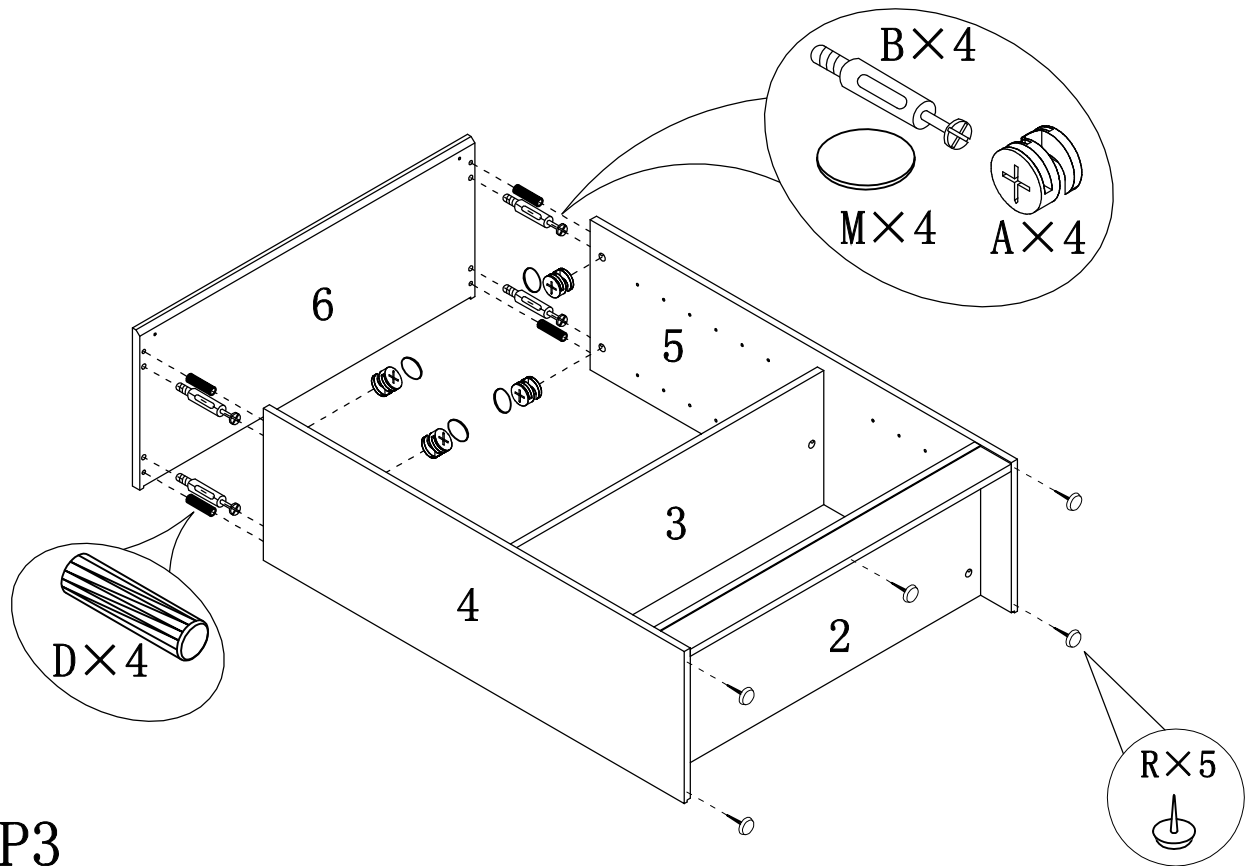
STEP1

STEP2



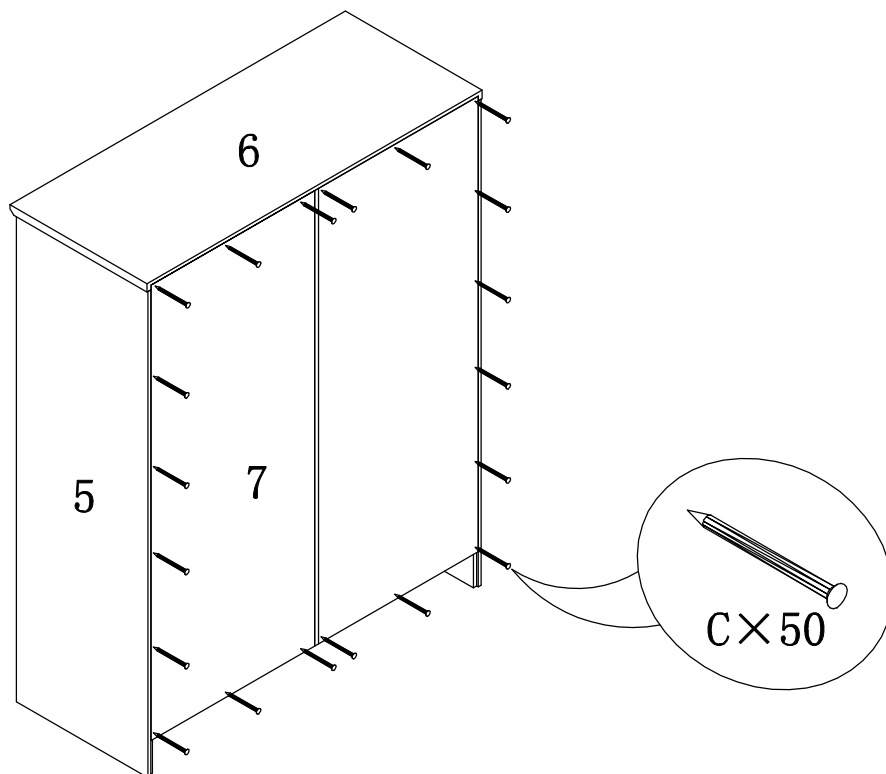
ASSEMBLY INSTRUCTION

ITEM#: 14929 151196



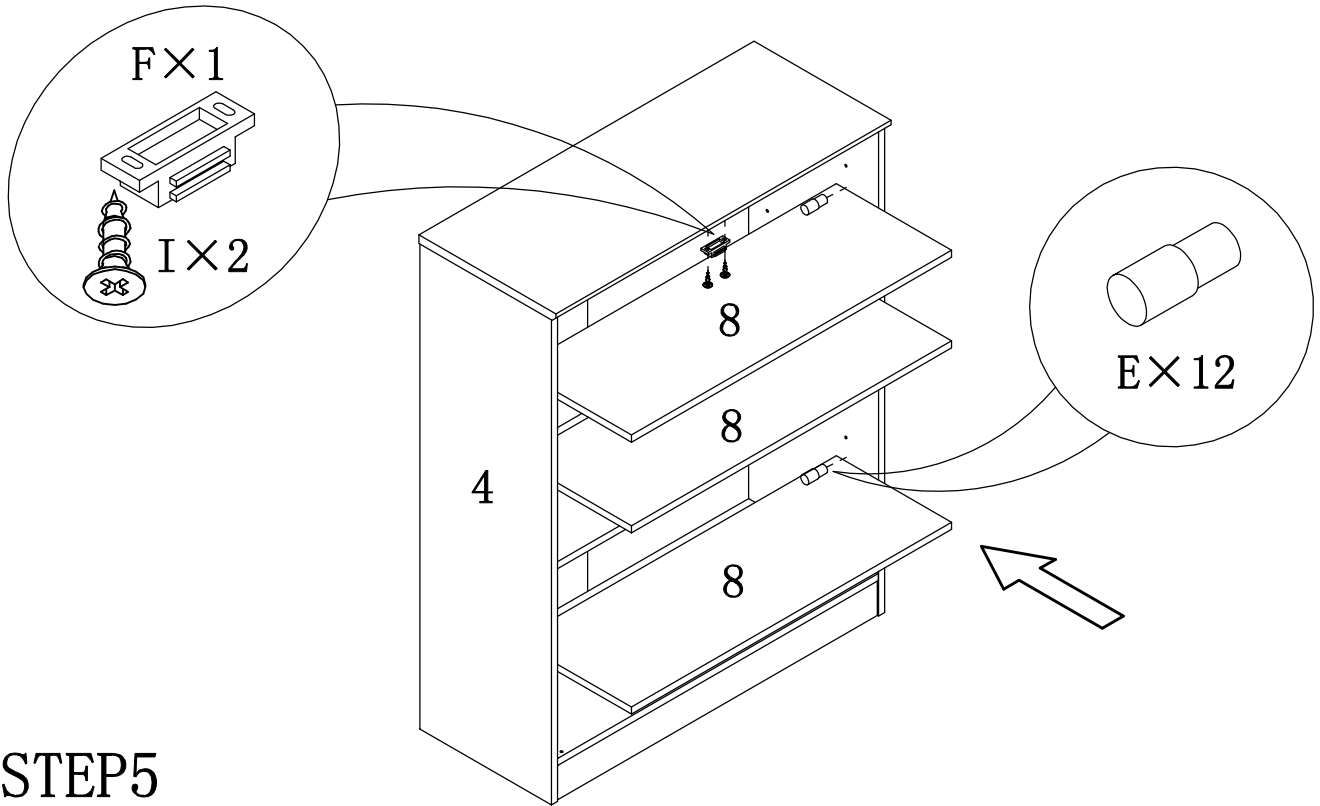
STEP3

STEP4



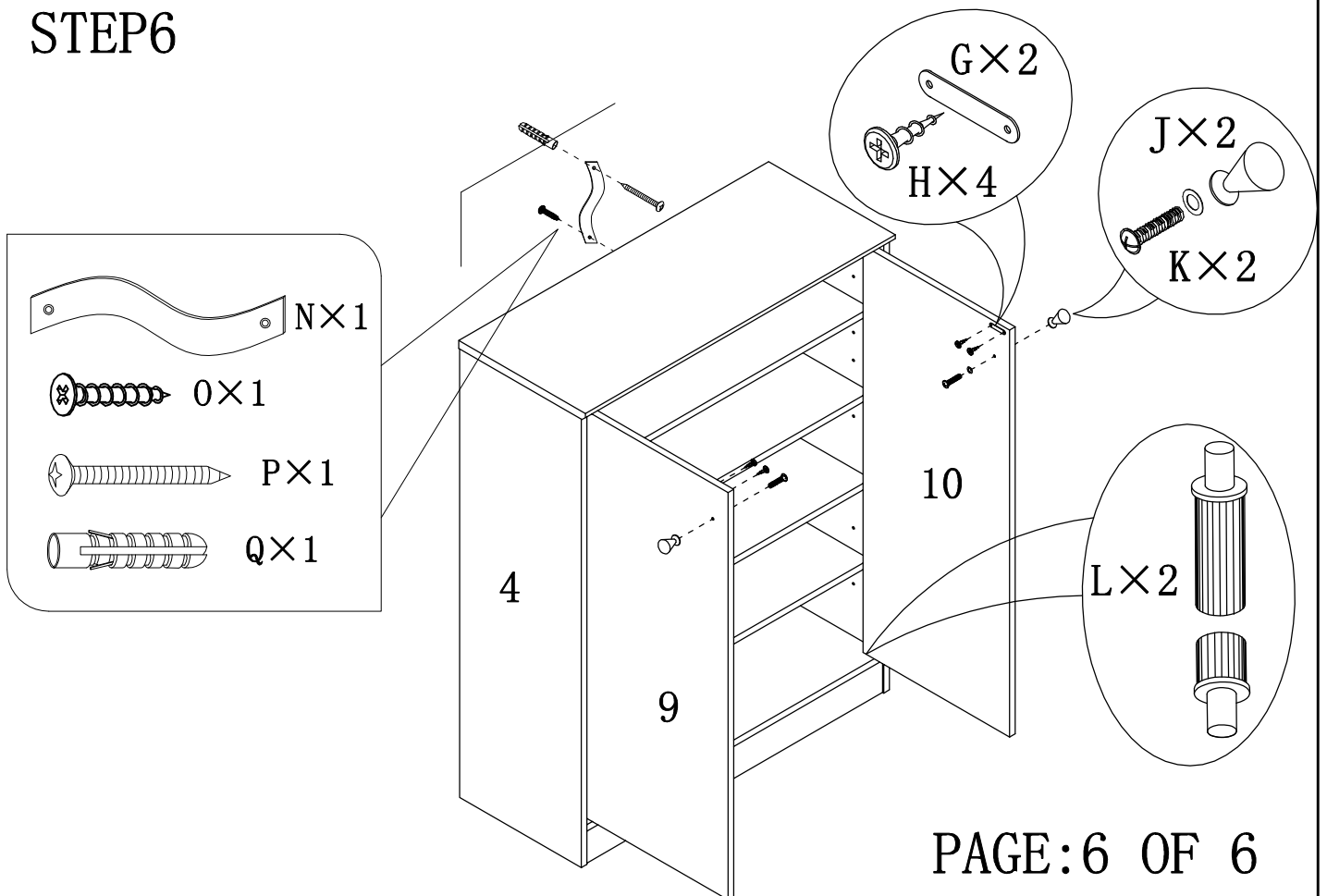
ASSEMBLY INSTRUCTION

ITEM#: 14929 151196



STEP 5

STEP 6



PAGE: 6 OF 6